

RT7302 / RT7304

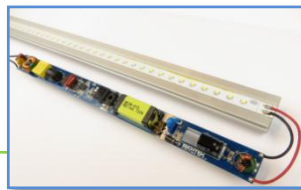
AC/DC Isolated PSR Flyback Controllers

for high Power Factor and low Total Harmonic Distortion

Key Specifications

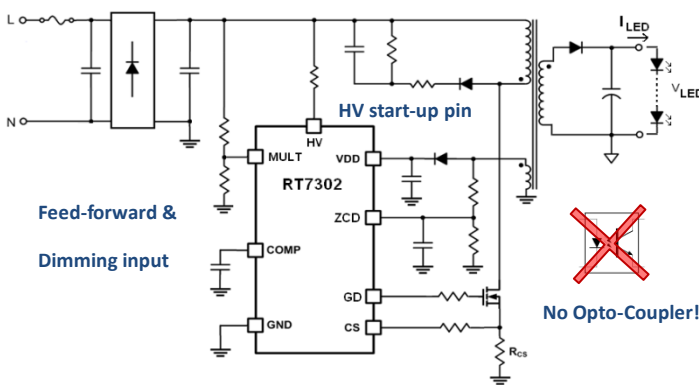
- Tight LED current regulation
- No Opto-coupler or TL431 required
- Power Factor Correction (PFC)
- Built-in HV start-up device (RT7302 only)
- Quasi-Resonant switching
- Maximum / Minimum Frequency clamping to achieve high efficiency and low EMI
- Input voltage Feed-forward Compensation

Typical application:



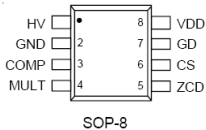
RT7302 18W T8 application

Full range input

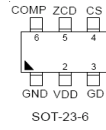


Feed-forward & Dimming input

No Opto-Coupler!

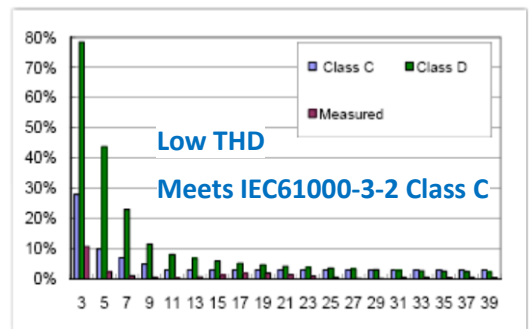
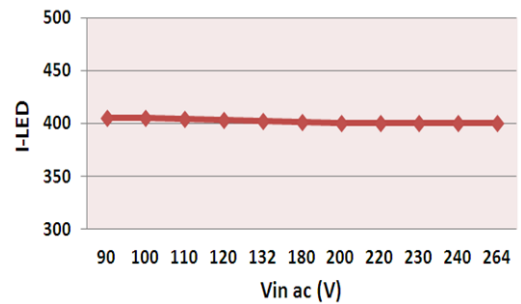


RT7302 in SOP-8



RT7304 in SOT-23-6

Accurate LED current over line and load



For more information, please see [Design Guidelines for RT7302 and RT7304 PSR LED Driver](#)

PSR Product Family

Product	High power factor	Dimming	High input voltage for startup	Built-in MOSFET	Where to use	Package
RT7302	✓	✓	✓		GU-10, E-27, T8 : 90 ~ 230V AC input voltage 10W - 40W output power	SOP-8
RT7304	✓					SOT-23-6
RT7305 <i>Coming soon</i>	✓			✓	GU-10, E-27 : 5W - 10W output power	SOP-7