

●TSOT/SOT/SC

TSOT-23-3/SOT-23-3	B4
TSOT-23-5/SOT-23-5	B4
TSOT-23-6/SOT-23-6	B4
TSOT-23-8/SOT-23-8	B4
SC-70-3	B5
SC-70-4	B5
SC-70-5	B5
SC-70-6	B5
SC-82	B6
SOT-143	B6
SOJ-2021-10L	B6
SOT-563	B6
SOT-89	B7
SOT-89-5	B7
SOT-223	B7
SOT-223-5	B7

●TO

TO-252	B8
TO-252-4	B8
TO-252-5	B8
TO-263	B9
TO-263-5	B9
TO-263S-5	B9
TO-263-7	B9

●MSOP

MSOP-8	B10
MSOP-8 (Exposed Pad)	B10
MSOP-10	B10
MSOP-10 (Exposed Pad)	B10

●SOP

SOP-8 (Exposed Pad)	B11
SOP-8	B11
SOP-14	B11
SOP-16	B11
SOP-20 (300 mil)	B12
SOP-24 (300 mil)	B12
SOP-28 (300 mil)	B12
SOP-32 (300 mil)	B12
SOP-24 (236 mil)	B12

●SSOP

SSOP-16	-----	B12
SSOP-24	-----	B12
SSOP-28	-----	B12

●TSSOP

TSSOP-8	-----	B13
TSSOP-14	-----	B13
TSSOP-16	-----	B13
TSSOP-20	-----	B13
TSSOP-24	-----	B13
TSSOP-28	-----	B13
TSSOP-32	-----	B13
TSSOP-14 (Exposed Pad)	-----	B14
TSSOP-16 (Exposed Pad)	-----	B14
TSSOP-24 (Exposed Pad)	-----	B14
TSSOP-28 (Exposed Pad)	-----	B14

●VDFN/WDFN/XDFN

V/W/XDFN-2x2-6L	-----	B15
V/W/XDFN-2x2-6SL	-----	B15
V/W/XDFN-3x3-6L	-----	B15
V/W/XDFN-2x2-8L	-----	B15
V/WDFN-3x3-8L	-----	B15
V/W/XDFN-3x3-8E	-----	B15
V/W/XDFN-3x3-10L	-----	B15
V/W/XDFN-3x3-12L	-----	B15
WDFN-1.6x1.6-6L	-----	B16
V/W/XDFN-2x3-8L	-----	B16
V/W/XDFN-3x2-10L	-----	B16
V/W/XDFN-4x3-12L	-----	B16
V/W/XDFN-4x3-16L	-----	B17
V/WDFN-5x6-8L	-----	B17

●VQFN/WQFN/XQFN

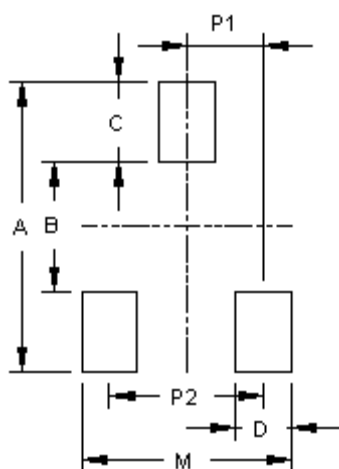
V/W/XQFN-2x2-12L	-----	B18
V/W/XQFN-3x3-16L	-----	B18
V/W/XQFN-4x4-16L	-----	B18
V/WQFN-5x5-16L	-----	B18
V/W/XQFN-3x3-20L	-----	B18
V/WQFN-4x4-20L (Option 1 & Option 2)	-----	B18
V/W/XQFN-4x4-24L	-----	B18
V/WQFN-5x5-24L	-----	B18
V/WQFN-4x4-28L	-----	B19
V/WQFN-5x5-28L	-----	B19
V/WQFN-6x6-28L	-----	B19

V/WQFN-4x4-32L -----	B19
V/WQFN-5x5-32L -----	B19
V/WQFN-5x5-40L -----	B19
V/WQFN-6x6-40L -----	B19
V/WQFN-6x6-48L -----	B20
V/WQFN-7x7-48L -----	B20
V/WQFN-7x7-56L -----	B20
V/W/XQFN-2x3-16L -----	B20
V/W/XQFN-3x4-20L -----	B20
V/WQFN-5x5-12L -----	B21
V/WQFN-3.5x3.5-14L -----	B21
V/WQFN-4x5-28L -----	B21
V/WQFN-6.5x4.5-46L -----	B21
V/W/XQFN-1.6x1.6-8L (COL) -----	B22
V/W/XQFN-2x2-12L (COL) -----	B22
V/W/XQFN-2x2-14L (COL) -----	B22
V/W/XQFN-3x3-24L (COL) -----	B22

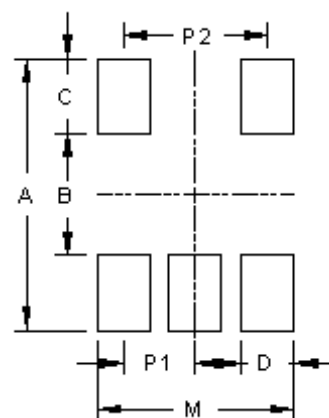
●WLCSP

WL-CSP-0.7x1.35-5B -----	B23
WL-CSP-0.9x1.3-6B -----	B23
WL-CSP-1x2-8B -----	B23
WL-CSP-1.5x1.5-8B -----	B23
WL-CSP-1.5x1.5-9B -----	B24
WL-CSP-2.05x2.55-20B -----	B24
WL-CSP-2.45x1.95-20B -----	B24
WL-CSP-2.55x2.05-20B -----	B24
WL-CSP-2.45x2.45-25B -----	B25
WL-CSP-2.45x2.05-30B -----	B25
WL-CSP-2.4x2.4-32B -----	B25

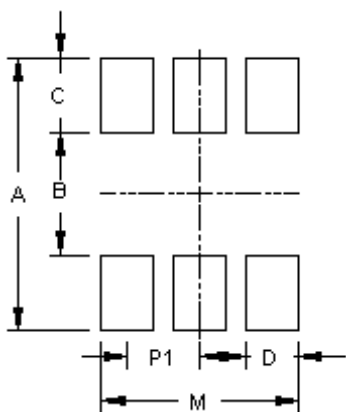
TSOT-23-3/SOT-23-3



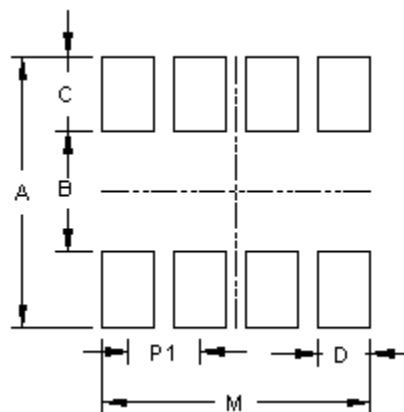
TSOT-23-5/SOT-23-5



TSOT-23-6/SOT-23-6

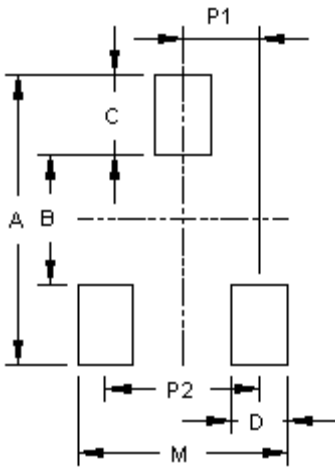


TSOT-23-8/SOT-23-8

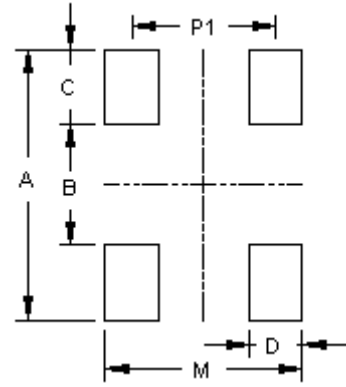


Package	Number of Pin	Footprint Dimension (mm)							Tolerance
		P1	P2	A	B	C	D	M	
(T)SOT-23-3	3	0.95	1.90	3.60	1.60	1.00	0.80	2.70	±0.10
(T)SOT-23-5	5	0.95	1.90	3.60	1.60	1.00	0.70	2.60	±0.10
(T)SOT-23-6	6	0.95	--	3.60	1.60	1.00	0.70	2.60	±0.10
(T)SOT-23-8	8	0.65	--	3.60	1.60	1.00	0.45	2.40	±0.10

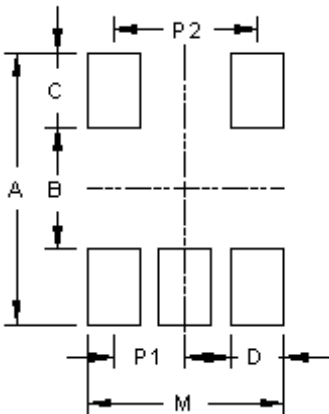
SC-70-3



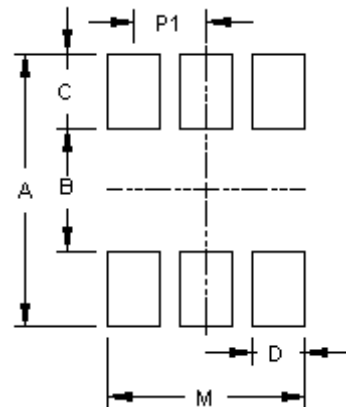
SC-70-4



SC-70-5

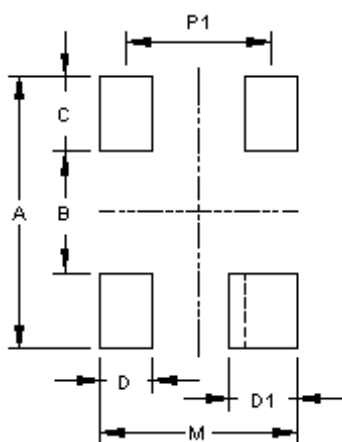


SC-70-6

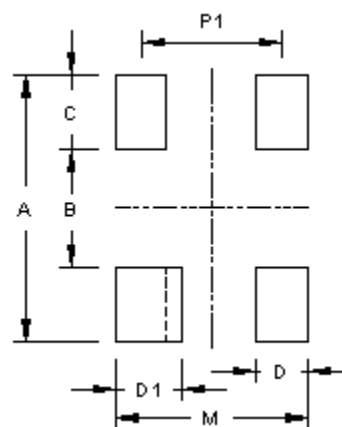


Package	Number of Pin	Footprint Dimension (mm)							Tolerance
		P1	P2	A	B	C	D	M	
SC-70-3	3	0.65	1.30	2.70	1.10	0.80	0.60	1.90	±0.10
SC-70-4	4	1.30	--	2.70	1.10	0.80	0.60	1.90	±0.10
SC-70-5	5	0.65	1.30	2.70	1.10	0.80	0.40	1.70	±0.10
SC-70-6	6	0.65	--	2.70	1.10	0.80	0.40	1.70	±0.10

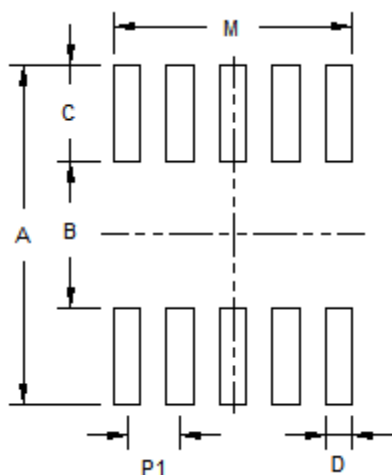
SC-82



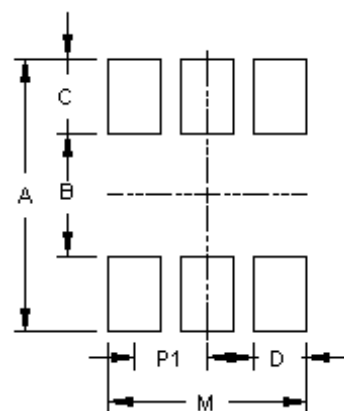
SOT-143



SOJ-2021-10L

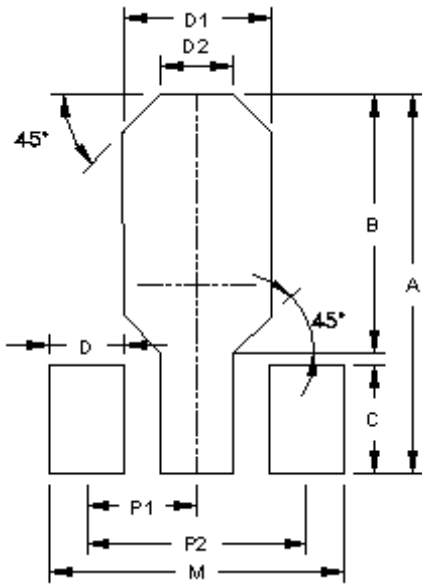


SOT-563

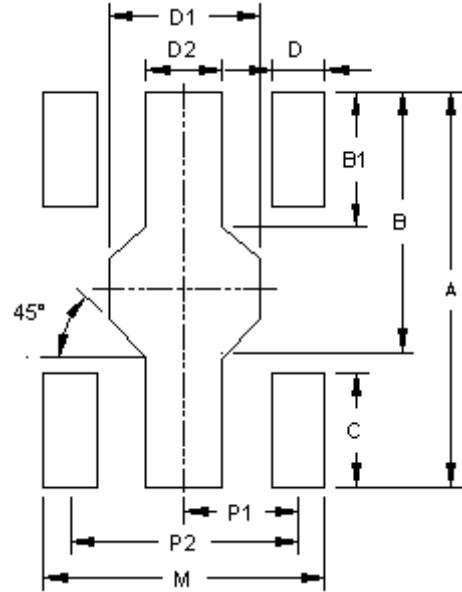


Package	Number of Pin	Footprint Dimension (mm)							Tolerance
		P1	A	B	C	D	D1	M	
SC-82	4	1.30	2.70	1.10	0.80	0.60	0.80	1.90	±0.10
SOT-143	4	1.90	3.30	1.30	1.00	0.60	1.03	2.50	±0.10
SOJ-2021-10L	10	0.40	2.55	1.10	0.725	0.20	--	1.80	±0.05
SOT-563	6	0.50	2.42	1.02	0.70	0.30	--	1.30	±0.10

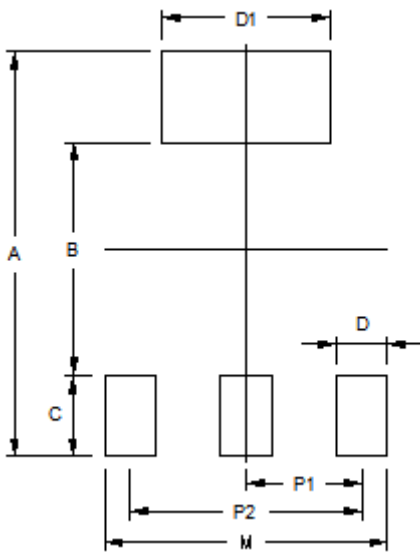
SOT-89



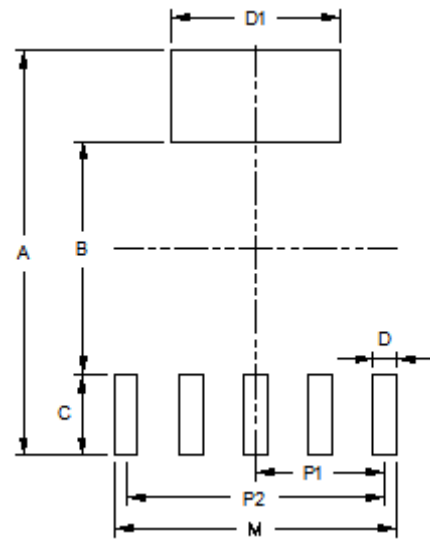
SOT-89-5



SOT-223

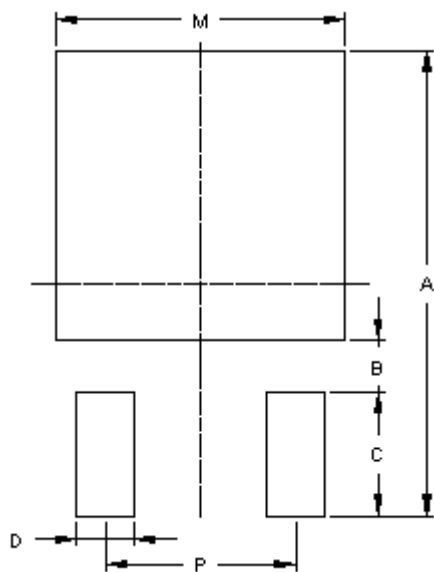


SOT-223-5

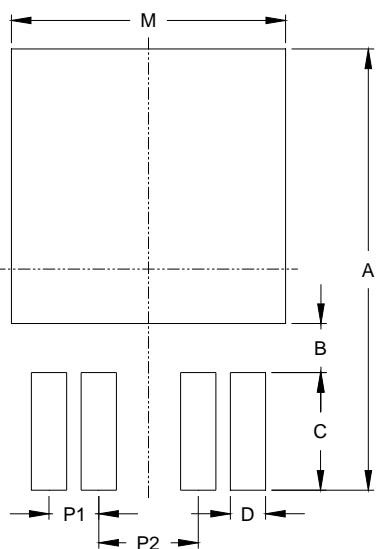


Package	Number of Pin	Footprint Dimension (mm)										Tolerance
		P1	P2	A	B	B1	C	D	D1	D2	M	
SOT-89	3	1.50	3.00	5.10	3.40	--	1.50	1.00	2.20	1.00	4.00	±0.10
SOT-89-5	5	1.50	3.00	5.50	3.80	1.70	1.50	0.70	2.20	1.00	3.70	±0.10
SOT-223	4	2.30	4.60	8.00	4.60	--	1.60	1.00	3.30	--	5.60	±0.10
SOT-223-5	5	1.27	5.08	8.00	4.60	--	1.60	0.457	3.30	--	5.84	±0.10

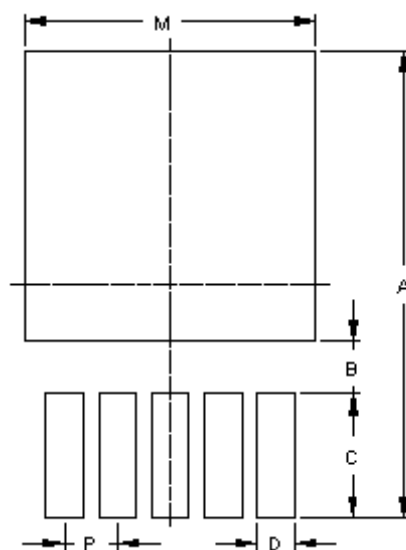
TO-252



TO-252-4

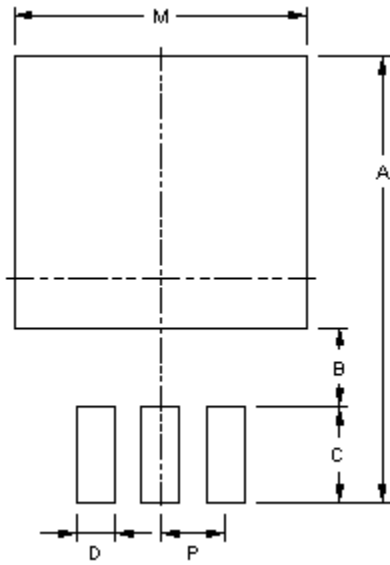


TO-252-5

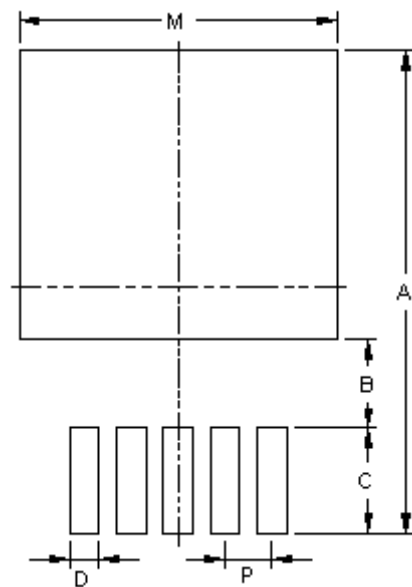


Package	Number of Pin	Footprint Dimension (mm)								Tolerance
		P	P1	P2	A	B	C	D	M	
TO-252	2	4.60	--	--	11.50	2.00	2.50	1.50	7.00	±0.10
TO-252-4	4	--	1.27	2.54	11.50	2.00	2.50	1.00	7.00	±0.10
TO-252-5	5	1.27	--	--	11.50	2.00	2.50	1.00	7.00	±0.10

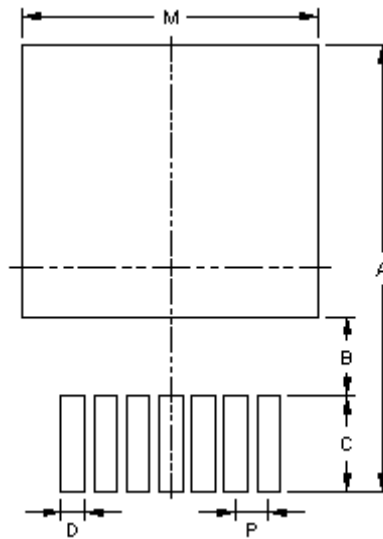
TO-263



TO-263-5/TO-263S-5

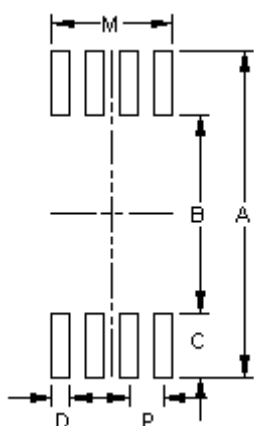


TO-263-7

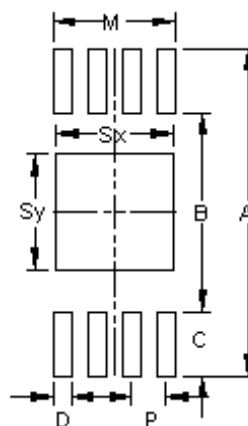


Package	Number of Pin	Footprint Dimension (mm)						Tolerance
		P	A	B	C	D	M	
TO-263	3	2.54	16.50	3.00	3.50	1.50	8.50	±0.10
TO-263-5	5	1.70	17.00	3.00	4.00	1.31	8.50	±0.10
TO-263S-5	5	1.70	16.00	3.00	3.00	1.31	8.50	±0.10
TO-263-7	7	1.25	17.00	3.00	4.00	0.70	8.50	±0.10

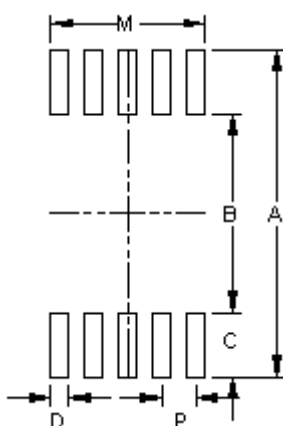
MSOP-8



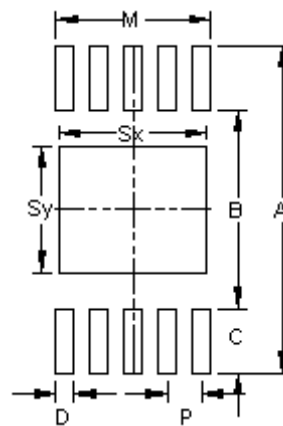
MSOP-8 (Exposed Pad)



MSOP-10

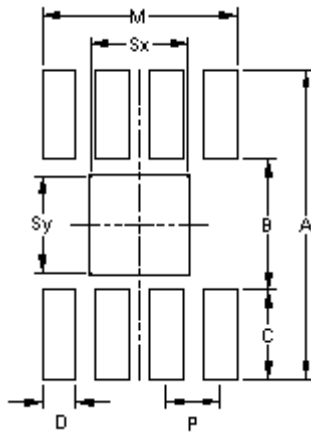


MSOP-10 (Exposed Pad)

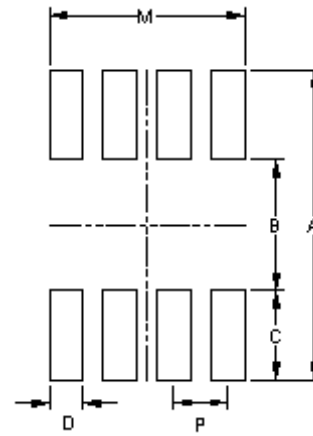


Package	Number of Pin	Footprint Dimension (mm)								Tolerance
		P	A	B	C	D	Sx	Sy	M	
MSOP-8	8	0.65	5.80	3.60	1.10	0.35	--	--	2.30	±0.10
MSOP-8 (EP)	8	0.65	5.80	3.60	1.10	0.35	1.90	1.70	2.30	±0.10
MSOP-10	10	0.50	5.80	3.60	1.10	0.25	--	--	2.25	±0.10
MSOP-10 (EP)	10	0.50	5.80	3.60	1.10	0.25	1.90	1.70	2.25	±0.10

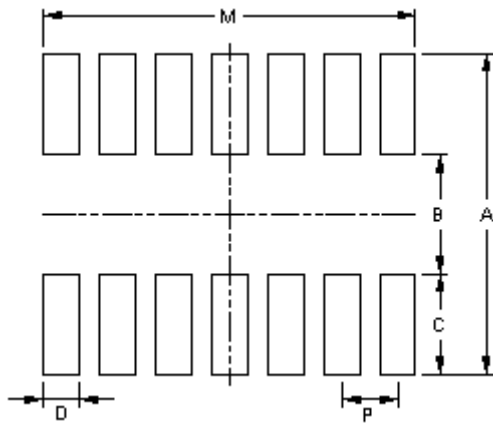
SOP-8 (Exposed Pad)



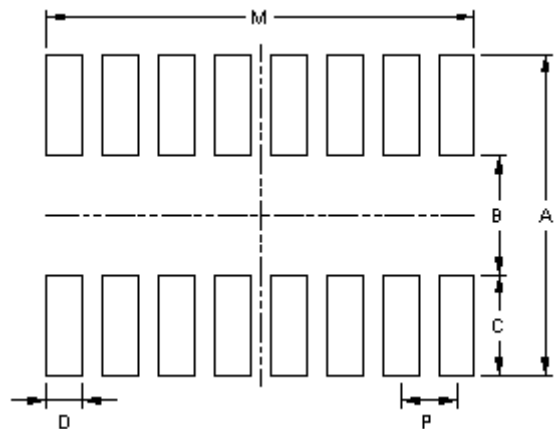
SOP-8



SOP-14



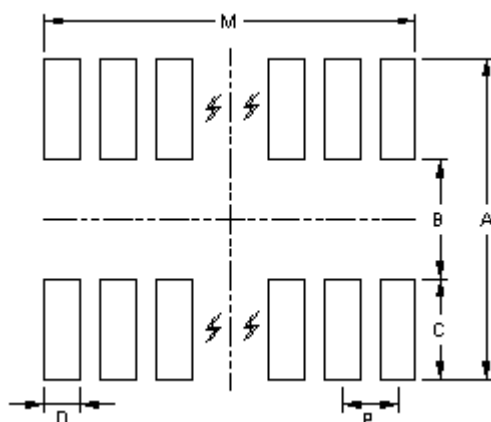
SOP-16



Package	Number of Pin	Footprint Dimension (mm)								Tolerance
		P	A	B	C	D	Sx	Sy	M	
SOP-8 (EP)	8	1.27	6.80	4.20	1.30	0.70	2.30	2.30	4.51	±0.10
							3.40	2.40		
SOP-8	8	1.27	6.80	4.20	1.30	0.70	--	--	4.51	±0.10
SOP-14	14	1.27	6.80	4.20	1.30	0.70	--	--	8.32	±0.10
SOP-16	16	1.27	6.80	4.20	1.30	0.70	--	--	9.59	±0.10

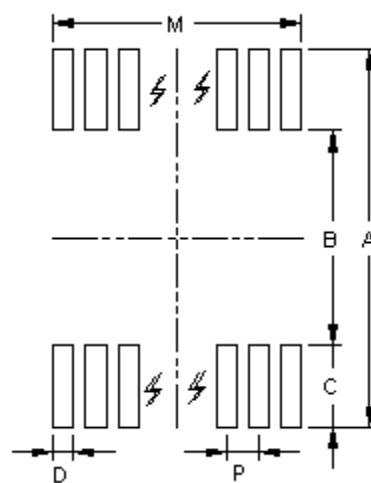
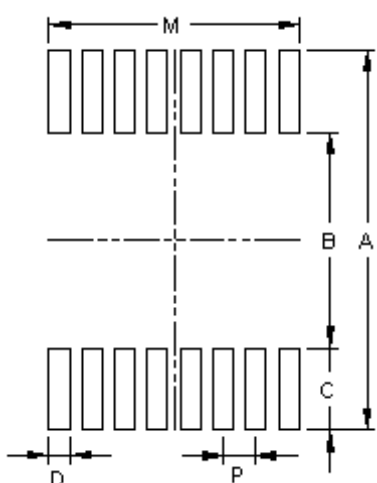
SOP-20 / SOP-24 / SOP-28 / SOP-32 (Body Width = 300mil)

SOP-24 (Body Width = 236mil)



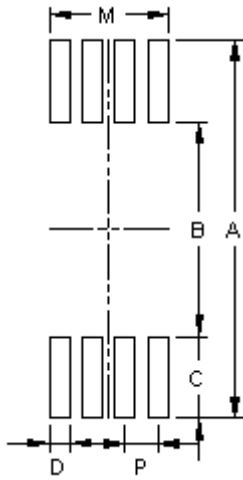
SSOP-16

SSOP-24 / SSOP-28

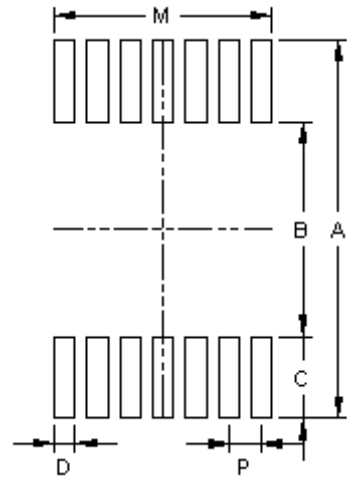


Package	Number of Pin	Footprint Dimension (mm)						Tolerance
		P	A	B	C	D	M	
SOP-20 (300mil)	20	1.27	11.20	8.00	1.60	0.70	12.13	±0.10
SOP-24 (300mil)	24	1.27	11.20	8.00	1.60	0.70	14.67	±0.10
SOP-28 (300mil)	28	1.27	11.20	8.00	1.60	0.70	17.21	±0.10
SOP-32 (300mil)	32	1.27	11.20	8.00	1.60	0.70	19.75	±0.10
SOP-24 (236mil)	24	1.00	9.00	6.80	1.25	0.70	11.70	±0.10
SSOP-16	16	0.64	6.80	4.20	1.30	0.30	4.78	±0.10
SSOP-24	24	0.635	6.80	4.20	1.30	0.30	7.29	±0.10
SSOP-28	28	0.64	6.80	4.20	1.30	0.30	8.62	±0.10

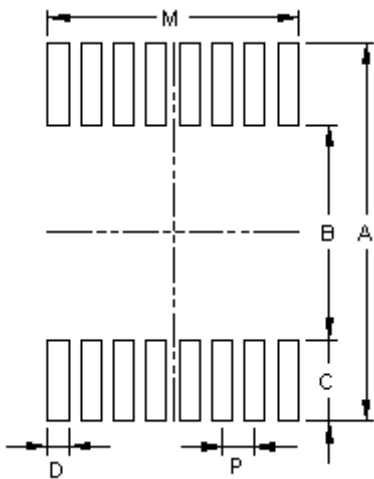
TSSOP-8



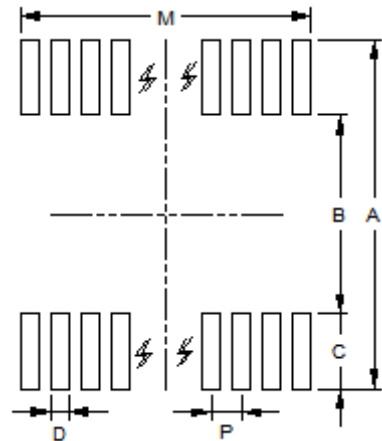
TSSOP-14



TSSOP-16



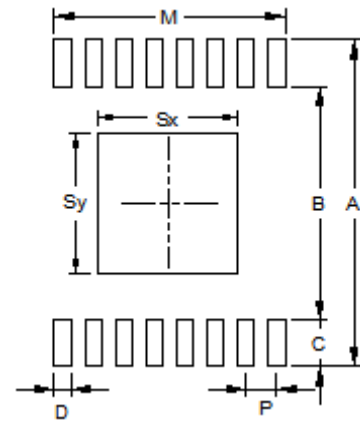
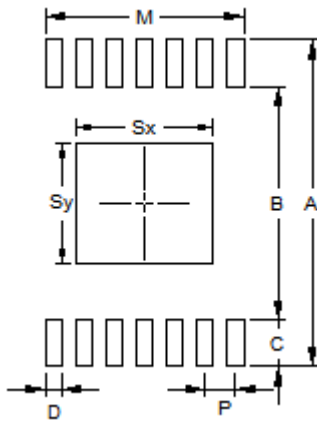
TSSOP-20 / TSSOP-24 / TSSOP-28 / TSSOP-32



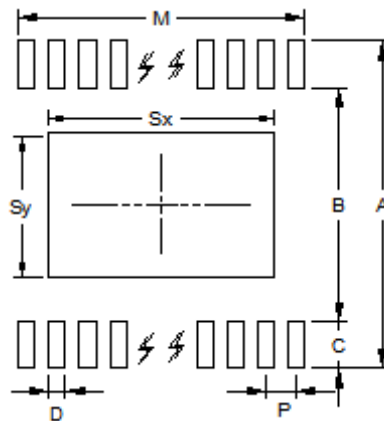
Package	Number of Pin	Footprint Dimension (mm)								Tolerance
		P	A	B	C	D	Sx	Sy	M	
TSSOP-8	8	0.65	7.00	5.00	1.00	0.35	--	--	2.30	±0.10
TSSOP-14	14	0.65	7.00	5.00	1.00	0.35	--	--	4.25	±0.10
TSSOP-16	16	0.65	7.00	5.00	1.00	0.35	--	--	4.90	±0.10
TSSOP-20	20	0.65	7.00	5.00	1.00	0.35	--	--	6.20	±0.10
TSSOP-24	24	0.65	7.00	5.00	1.00	0.35	--	--	7.50	±0.10
TSSOP-28	28	0.65	7.00	5.00	1.00	0.35	--	--	8.80	±0.10
TSSOP-32	32	0.65	7.00	5.00	1.00	0.35	--	--	10.10	±0.10

TSSOP-14 (Exposed Pad)

TSSOP-16 (Exposed Pad)

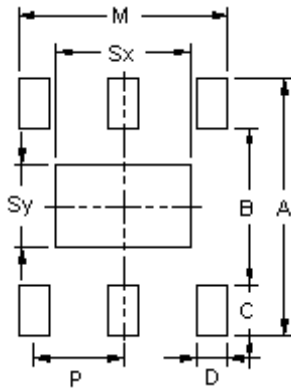


TSSOP-24 (Exposed Pad)/TSSOP-28 (Exposed Pad)

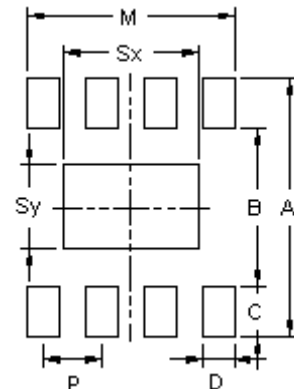


Package	Number of Pin	Footprint Dimension (mm)								Tolerance	
		P	A	B	C	D	Sx	Sy	M		
TSSOP-14 (EP)	14	0.65	7.00	5.00	1.00	0.35	4.25	2.90	2.60	±0.10	
TSSOP-16 (EP)	16	0.65	7.00	5.00	1.00	0.35	3.00	3.00	4.90	±0.10	
TSSOP-24 (EP)	24	0.65	7.00	5.00	1.00	0.35	4.80	3.10	7.50	±0.10	
TSSOP-28 (EP)	Option 1	28	0.65	7.00	5.00	1.00	0.35	5.51	3.00	8.80	±0.10
	Option 2							6.17	2.21		

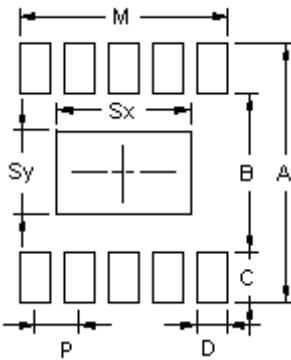
V/W/X DFN-2x2-6L / V/W/X DFN-2x2-6SL
V/W/X DFN-3x3-6L



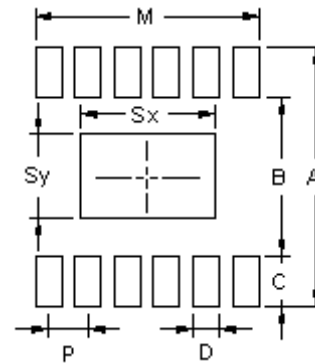
V/W/X DFN-2x2-8L / V/W/X DFN-3x3-8L
V/W/X DFN-3x3-8E



V/W/X DFN-3x3-10L

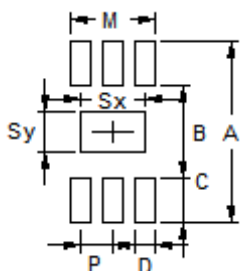


V/W/X DFN-3x3-12L

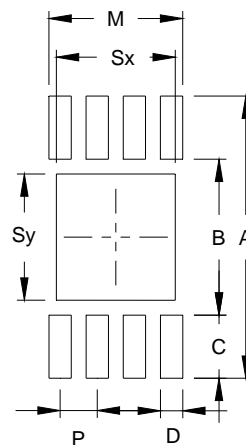


Package	Number of Pin	Footprint Dimension (mm)								Tolerance
		P	A	B	C	D	Sx	Sy	M	
V/W/X DFN 2x2-6L	6	0.65	2.80	1.20	0.80	0.35	1.40	0.70	1.65	±0.050
V/W/X DFN 2x2-6SL	6	0.65	2.80	1.40	0.70	0.35	1.60	1.00	1.65	±0.030
V/W/X DFN 3x3-6L	6	0.95	3.80	2.10	0.85	0.50	2.40	1.40	2.40	±0.050
V/W/X DFN 2x2-8L	8	0.50	2.80	1.20	0.80	0.30	1.30	0.70	1.80	±0.030
V/W/X DFN 3x3-8L	8	0.65	3.80	2.10	0.85	0.30	2.30	1.40	2.25	±0.050
V/W/X DFN 3x3-8E	8	0.50	3.80	2.10	0.85	0.30	2.30	1.40	1.80	±0.030
V/W/X DFN 3x3-10L	10	0.50	3.80	2.10	0.85	0.30	2.50	1.50	2.30	±0.030
V/W/X DFN 3x3-12L	12	0.45	3.80	2.10	0.85	0.30	2.50	1.50	2.55	±0.030

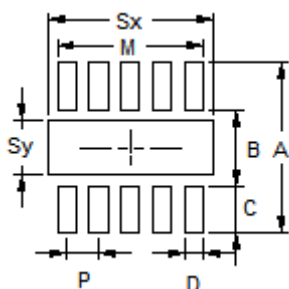
WDFN-1.6x1.6-6L



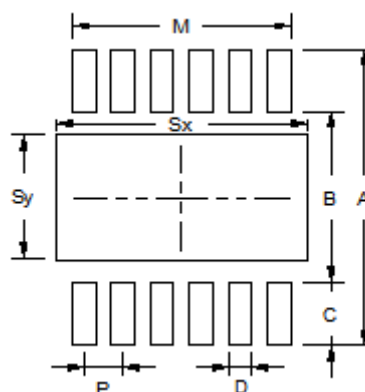
V/W/X DFN-2x3-8L



V/W/X DFN-3x2-10L

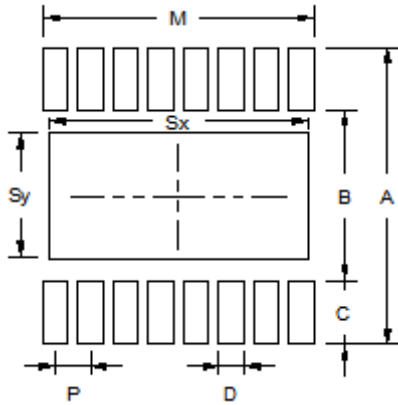


V/W/X DFN-4x3-12L

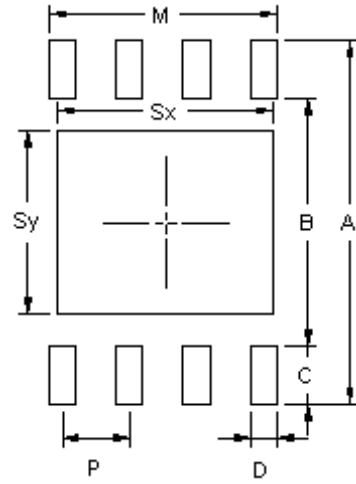


Package	Number of Pin	Footprint Dimension (mm)								Tolerance
		P	A	B	C	D	Sx	Sy	M	
WDFN 1.6x1.6-6L	6	0.50	2.42	1.02	0.70	0.30	1.00	0.60	1.30	±0.030
V/W/X DFN 2x3-8L	8	0.50	3.80	2.10	0.85	0.30	1.60	1.70	1.80	±0.030
V/W/X DFN 3x2-10L	10	0.50	2.70	1.30	0.75	0.30	2.60	0.85	2.30	±0.030
V/W/X DFN 4x3-12L	12	0.50	3.80	2.10	0.85	0.30	3.20	1.60	2.80	±0.030

V/W/X DFN-4x3-16L

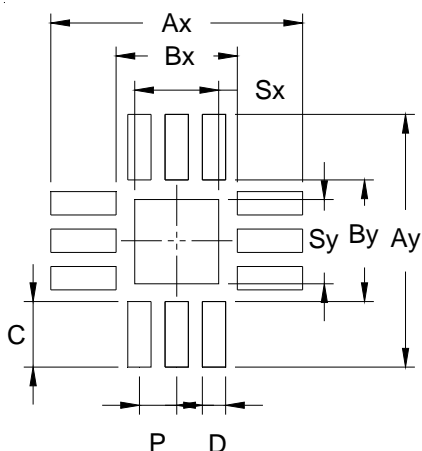


V/W DFN-5x6-8L

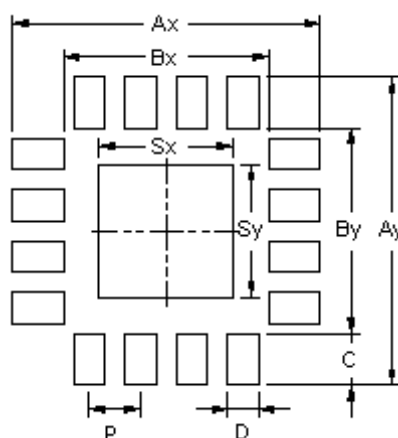


Package	Number of Pin	Footprint Dimension (mm)								Tolerance
		P	A	B	C	D	Sx	Sy	M	
V/W/X DFN 4x3-16L	16	0.45	3.80	2.10	0.85	0.32	3.30	1.60	3.47	±0.030
V/W DFN 5x6-8L	8	1.27	6.90	4.70	1.10	0.50	4.10	3.50	4.31	±0.030

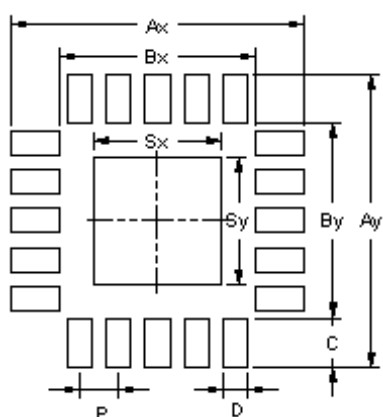
V/W/X QFN-2x2-12L



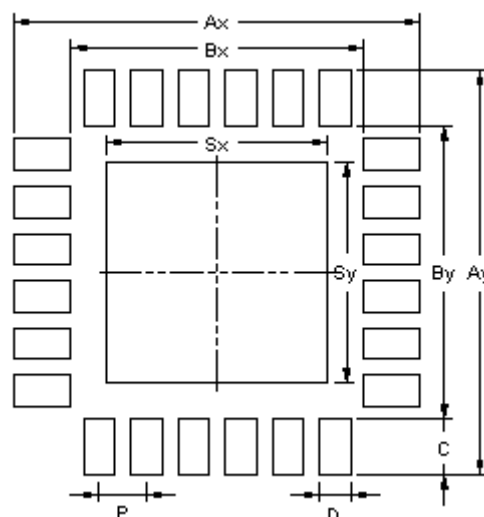
V/W/X QFN-3x3-16L / V/W/X QFN-4x4-16L V/W QFN-5x5-16L



V/W/X QFN-3x3-20L / V/W QFN-4x4-20L

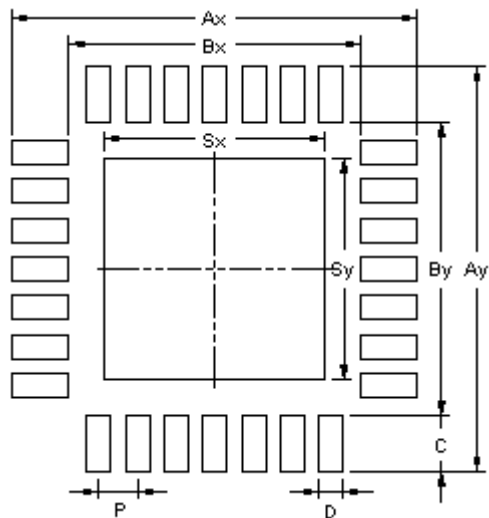


V/W/X QFN-4x4-24L / V/W QFN-5x5-24L

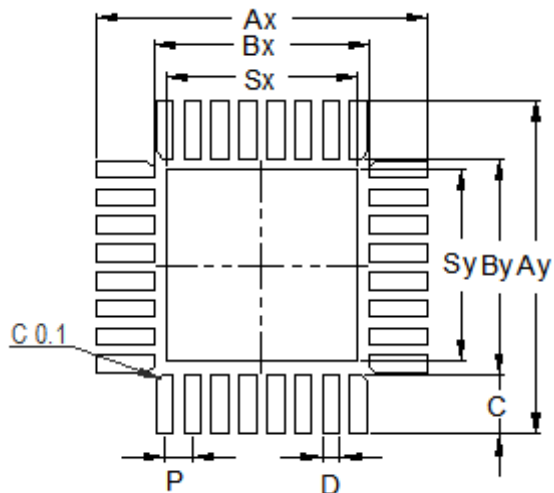


Package	Number of Pin	Footprint Dimension (mm)										Tolerance	
		P	Ax	Ay	Bx	By	C	D	D1	Sx	Sy		
V/W/X QFN 2x2-12L	12	0.40	2.70	2.70	1.30	1.30	0.70	0.25	--	0.90	0.90	±0.030	
V/W/X QFN 3x3-16L	16	0.50	3.80	3.80	2.10	2.10	0.85	0.30	--	1.50	1.50	±0.030	
V/W/X QFN 4x4-16L	16	0.65	5.00	5.00	2.80	2.80	1.10	0.35	--	2.10	2.10	±0.050	
V/W QFN 5x5-16L	16	0.80	6.00	6.00	3.80	3.80	1.10	0.35	--	3.10	3.10	±0.050	
V/W/X QFN 3x3-20L	20	0.40	3.80	3.80	2.10	2.10	0.85	0.25	--	1.70	1.70	±0.030	
V/W QFN 4x4-20L	Option 1	20	0.50	4.80	4.80	3.10	3.10	0.85	0.30	--	2.60	2.60	±0.030
	Option 2		0.50	4.80	4.80	3.10	3.10	0.85	0.30	--	2.20	2.20	±0.030
V/W/X QFN 4x4-24L	24	0.50	4.80	4.80	3.10	3.10	0.85	0.30	--	2.60	2.60	±0.030	
V/W QFN 5x5-24L	24	0.65	5.80	5.80	4.10	4.10	0.85	0.35	--	3.10	3.10	±0.050	

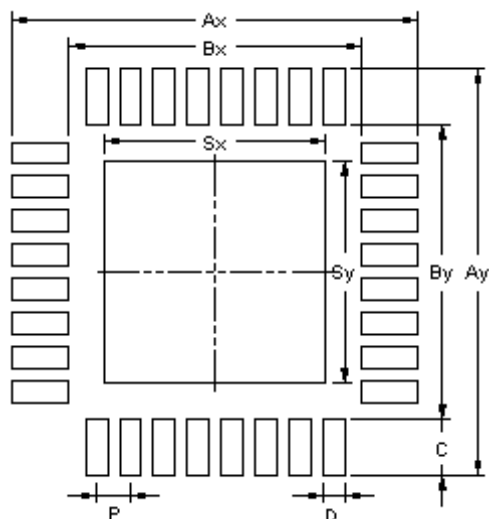
**V/W QFN-4x4-28L / V/W QFN-5x5-28L /
V/W QFN-6x6-28L**



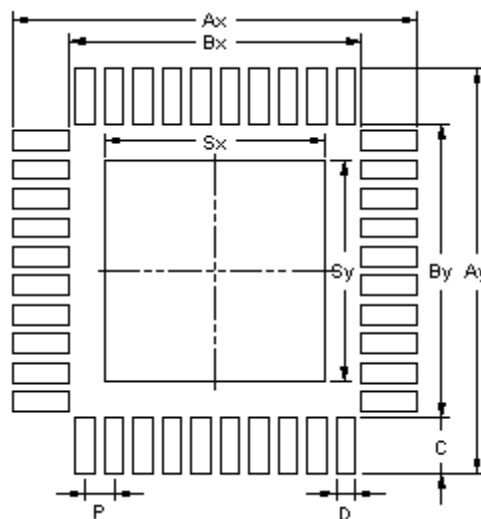
V/W QFN-4x4-32L



V/W QFN-5x5-32L

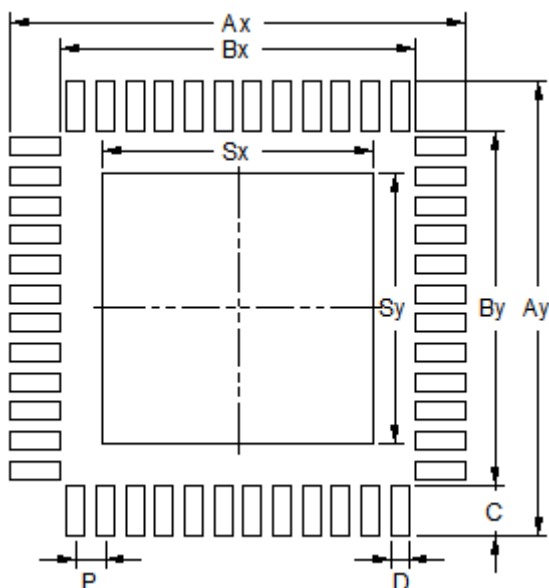


V/W QFN-5x5-40L / V/W QFN-6x6-40L

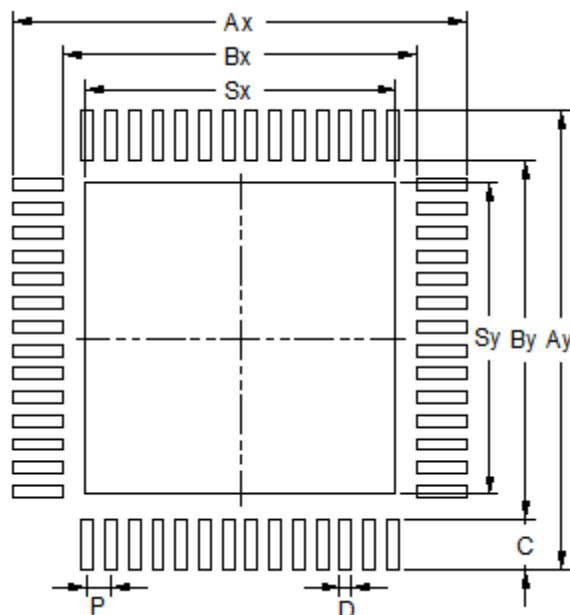


Package	Number of Pin	Footprint Dimension (mm)									Tolerance
		P	Ax	Ay	Bx	By	C	D	Sx	Sy	
V/W QFN 4x4-28L	28	0.40	5.00	5.00	3.10	3.10	0.95	0.27	2.40	2.40	±0.030
V/W QFN 5x5-28L	28	0.50	6.00	6.00	3.80	3.80	1.10	0.30	3.10	3.10	±0.030
V/W QFN 6x6-28L	28	0.65	7.00	7.00	4.70	4.70	1.15	0.35	3.80	3.80	±0.050
V/W QFN 4x4-32L	32	0.40	4.80	4.80	3.10	3.10	0.85	0.25	2.75	2.75	±0.030
V/W QFN 5x5-32L	32	0.50	5.80	5.80	4.10	4.10	0.85	0.30	3.40	3.40	±0.030
V/W QFN 5x5-40L	40	0.40	6.00	6.00	4.10	4.10	0.95	0.25	3.40	3.40	±0.030
V/W QFN 6x6-40L	40	0.50	6.80	6.80	5.10	5.10	0.85	0.30	4.20	4.20	±0.030

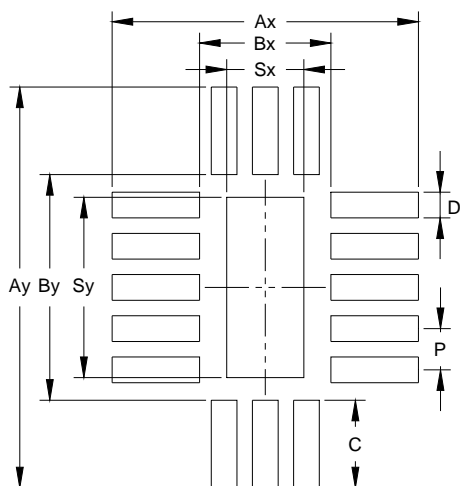
V/W QFN-6x6-48L / V/W QFN-7x7-48L



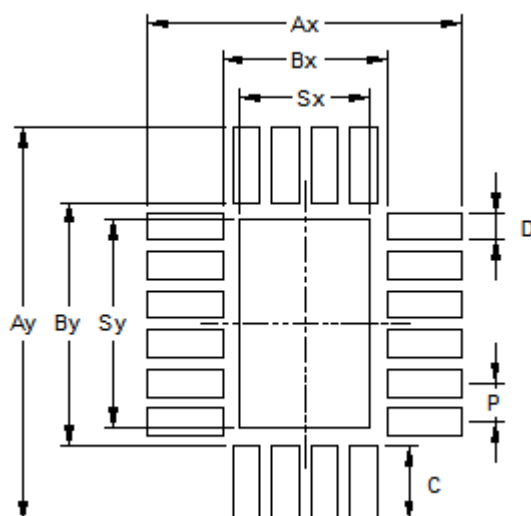
V/W QFN-7x7-56L



V/W/X QFN-2x3-16L

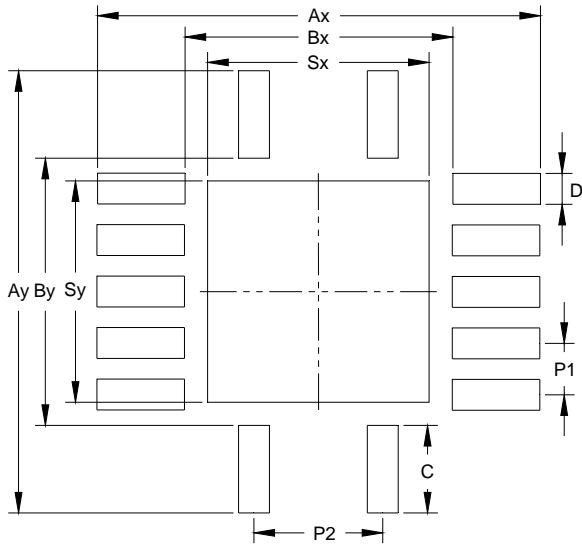


V/W/X QFN-3x4-20L

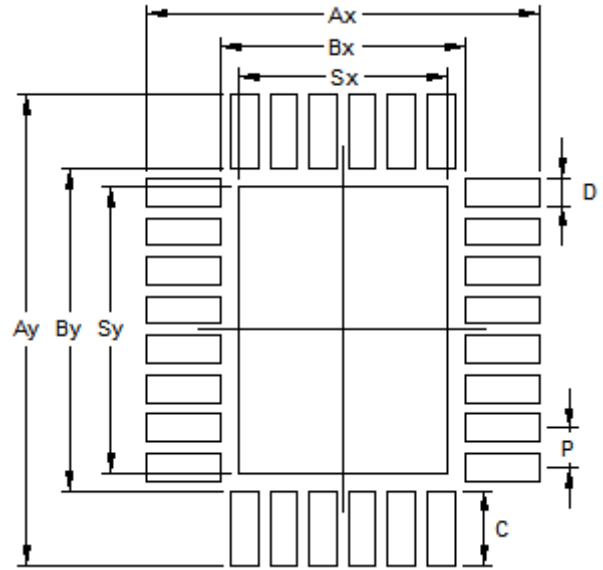


Package	Number of Pin	Footprint Dimension (mm)									Tolerance
		P	Ax	Ay	Bx	By	C	D	Sx	Sy	
V/W QFN 6x6-48L	48	0.40	6.80	6.80	5.10	5.10	0.85	0.20	4.40	4.40	±0.030
V/W QFN 7x7-48L	48	0.50	7.80	7.80	6.10	6.10	0.85	0.30	5.25	5.25	±0.030
V/W QFN 7x7-56L	56	0.40	7.80	7.80	6.10	6.10	0.85	0.20	5.30	5.30	±0.050
V/W/X QFN 2x3-16L	16	0.40	2.80	3.80	1.20	2.20	0.80	0.25	0.75	1.75	±0.030
V/W/X QFN 3x4-20L	20	0.50	4.00	5.00	2.10	3.10	0.95	0.32	1.65	2.65	±0.030

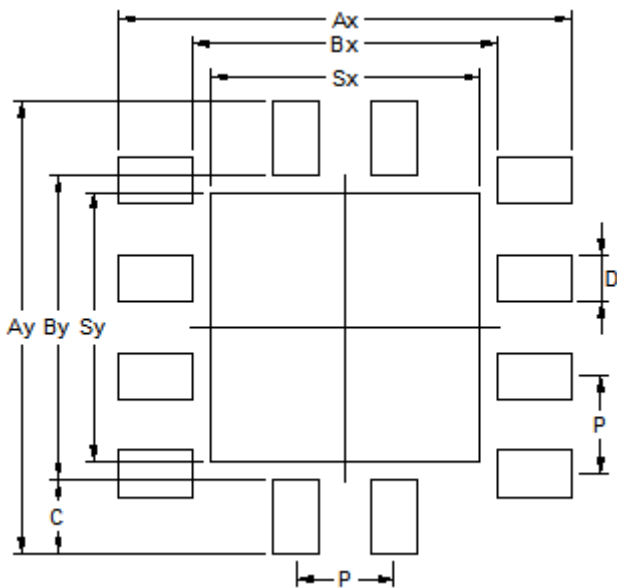
V/W QFN-3.5x3.5-14L



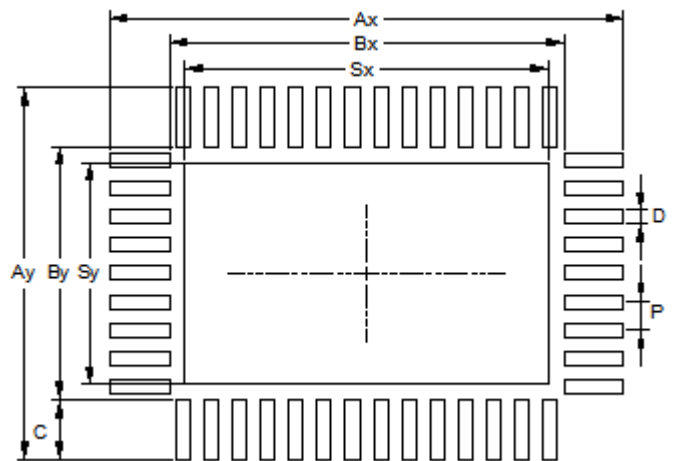
V/W QFN-4x5-28L



V/W QFN-5x5-12L

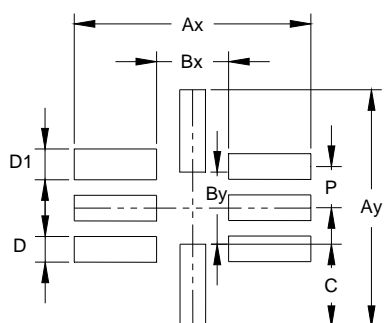


V/W QFN-6.5x4.5-46L

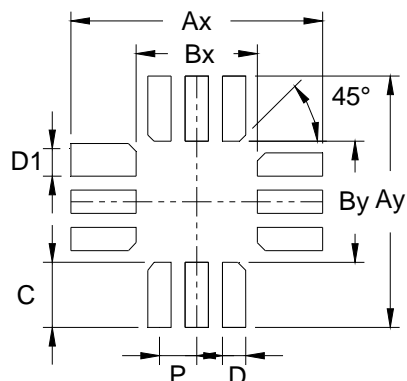


Package	Number of Pin	Footprint Dimension (mm)											Tolerance
		P	P1	P2	Ax	Ay	Bx	By	C	D	Sx	Sy	
V/W QFN 3.5x3.5-14L	14	--	0.5	1.25	4.30	4.30	2.60	2.60	0.85	0.30	2.15	2.15	±0.030
V/W QFN 4x5-28L	28	0.50			5.00	6.00	3.10	4.10	0.95	0.35	2.65	3.65	±0.050
V/W QFN 5x5-12L	12	1.25	--	--	5.80	5.80	3.90	3.90	0.95	0.60	3.45	3.45	±0.050
V/W QFN 6.5x4.5-46L	46	0.40	--	--	7.30	5.30	5.60	3.60	0.85	0.20	5.15	3.15	±0.030

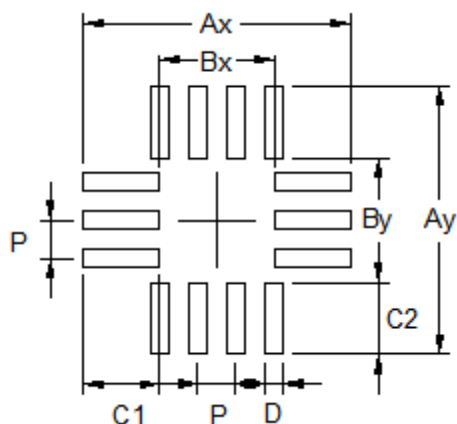
V/W/X QFN-1.6x1.6-8L (COL)



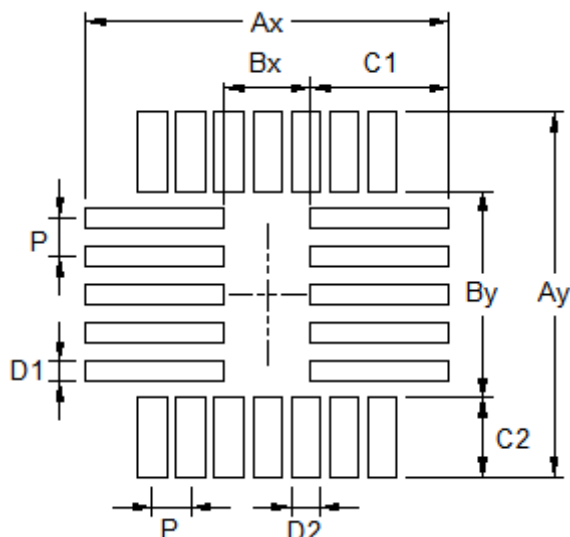
V/W/X QFN-2x2-12L (COL)



V/W/X QFN-2x2-14L (COL)

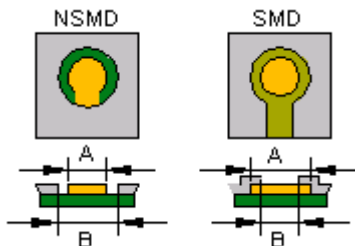


V/W/X QFN-3x3-24L (COL)

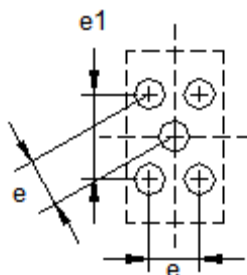


Package	Number of Pin	Footprint Dimension (mm)											Tolerance
		P	Ax	Ay	Bx	By	C	C1	C2	D	D1	D2	
V/W/X QFN 1.6x1.6-8L (COL)	8	0.40	2.30	2.30	0.70	0.70	0.80	--	--	0.25	0.30	--	±0.030
VW/X QFN 2x2-12L (COL)	12	0.40	2.70	2.70	1.20	1.20	0.75	--	--	0.25	0.30	--	±0.030
VW/X QFN 2x2-14L (COL)	14	0.40	2.80	2.80	1.20	1.30	--	0.80	0.75	0.20	--	--	±0.030
VW/X QFN 3x3-24L (COL)	24	0.40	3.80	3.80	0.90	2.15	--	1.45	0.825		0.20	0.30	±0.030

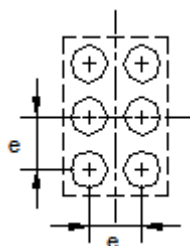
NSMD & SMD for all WL-CSP Type



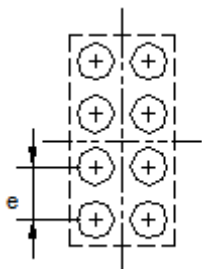
WL-CSP-0.7x1.35-5B



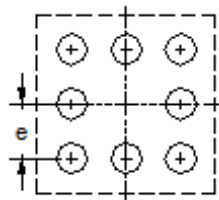
WL-CSP-0.9x1.3-6B



WL-CSP-1x2-8B



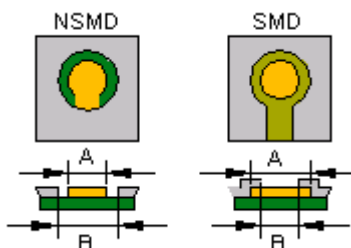
WL-CSP-1.5x1.5-8B



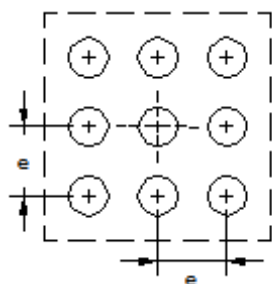
Package	Number of Pin	Type	Footprint Dimension (mm)				Tolerance
			e	e1	A	B	
WL-CSP-0.7x1.35-5B	5	NSMD	0.400	0.693	0.170	0.250	± 0.025
		SMD	0.400	0.693	0.250	0.170	± 0.025

Package	Number of Pin	Type	Footprint Dimension (mm)			Tolerance
			e	A	B	
WL-CSP-0.9x1.3-6B	6	NSMD	0.4	0.170	0.250	± 0.025
		SMD	0.4	0.250	0.170	± 0.025
WL-CSP-1x2-8B	8	NSMD	0.5	0.275	0.375	± 0.025
		SMD	0.5	0.375	0.275	± 0.025
WL-CSP-1.5x1.5-8B	8	NSMD	0.5	0.275	0.375	± 0.025
		SMD	0.5	0.375	0.275	± 0.025

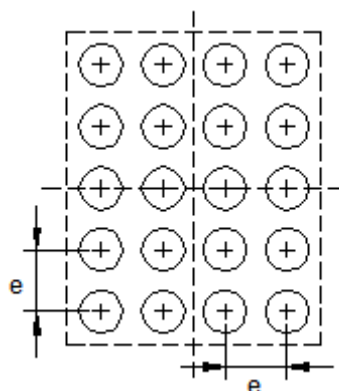
NSMD & SMD for all WL-CSP Type



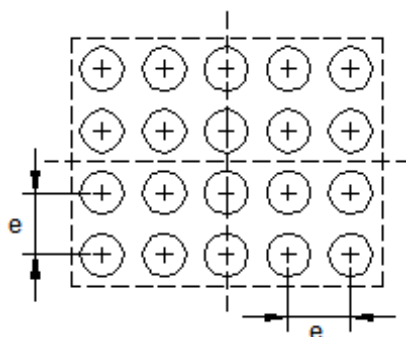
WL-CSP-1.5x1.5-9B



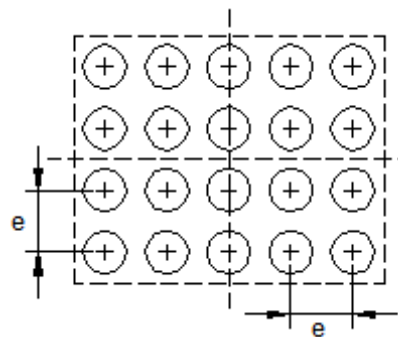
WL-CSP-2.05x2.55-20B



WL-CSP-2.45x1.95-20B

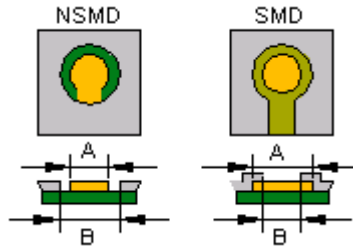


WL-CSP-2.55x2.05-20B

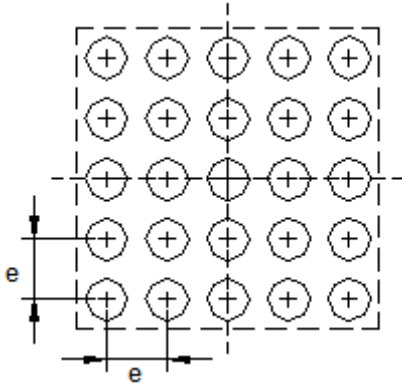


Package	Number of Pin	Type	Footprint Dimension (mm)			Tolerance
			e	A	B	
WL-CSP-1.5x1.5-9B	9	NSMD	0.5	0.275	0.375	±0.025
		SMD	0.5	0.375	0.275	±0.025
WL-CSP-2.05x2.55-20B	20	NSMD	0.5	0.275	0.375	±0.025
		SMD	0.5	0.375	0.275	±0.025
WL-CSP-2.45x1.95-20B	20	NSMD	0.5	0.275	0.375	±0.025
		SMD	0.5	0.375	0.275	±0.025
WL-CSP-2.55x2.05-20B	20	NSMD	0.5	0.275	0.375	±0.025
		SMD	0.5	0.375	0.275	±0.025

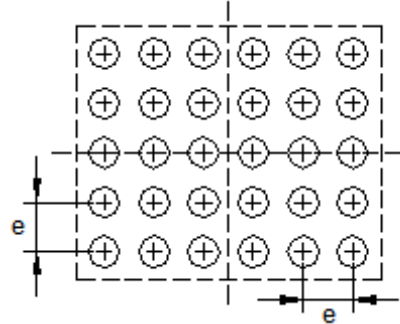
NSMD & SMD for all WL-CSP Type



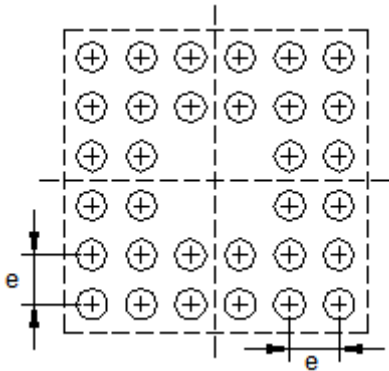
WL-CSP-2.45x2.45-25B



WL-CSP-2.45x2.05-30B



WL-CSP-2.4x2.4-32B



Package	Number of Pin	Type	Footprint Dimension (mm)			Tolerance
			e	A	B	
WL-CSP-2.45x2.45-25B	25	NSMD	0.5	0.275	0.375	±0.025
		SMD	0.5	0.375	0.275	±0.025
WL-CSP-2.45x2.05-30B	30	NSMD	0.4	0.170	0.250	±0.025
		SMD	0.4	0.250	0.170	±0.025
WL-CSP-2.4x2.4-32B	32	NSMD	0.4	0.170	0.250	±0.025
		SMD	0.4	0.250	0.170	±0.025