

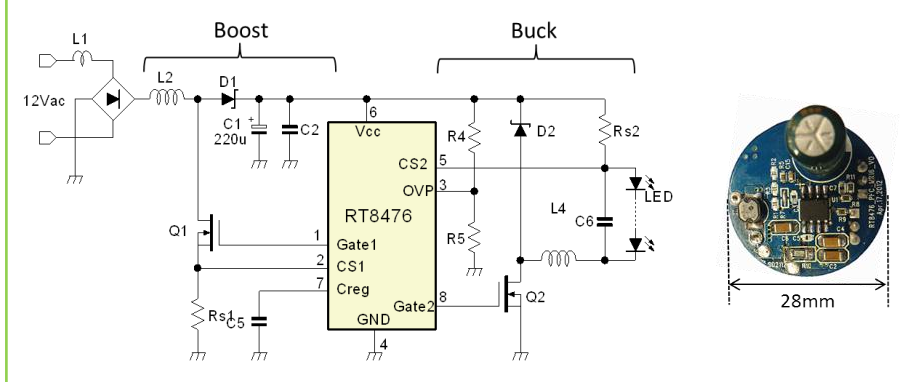
RT8476 / RT8479

Two-Stage MR16/AR111 LED Driver Solutions with Excellent Transformer Compatibility

Key Specifications

- Two-stage Topology (Boost + Buck)
- 99% compatibility with Electronic transformers
- Flicker Free operation
- Low inrush current operation for high reliability
- Wide input range: 4.5V to 36V
- High Power Factor (RT8479)
- Programmable Boost Output voltage
- Programmable LED current with 5% accuracy

High power MR-16 application with RT8476

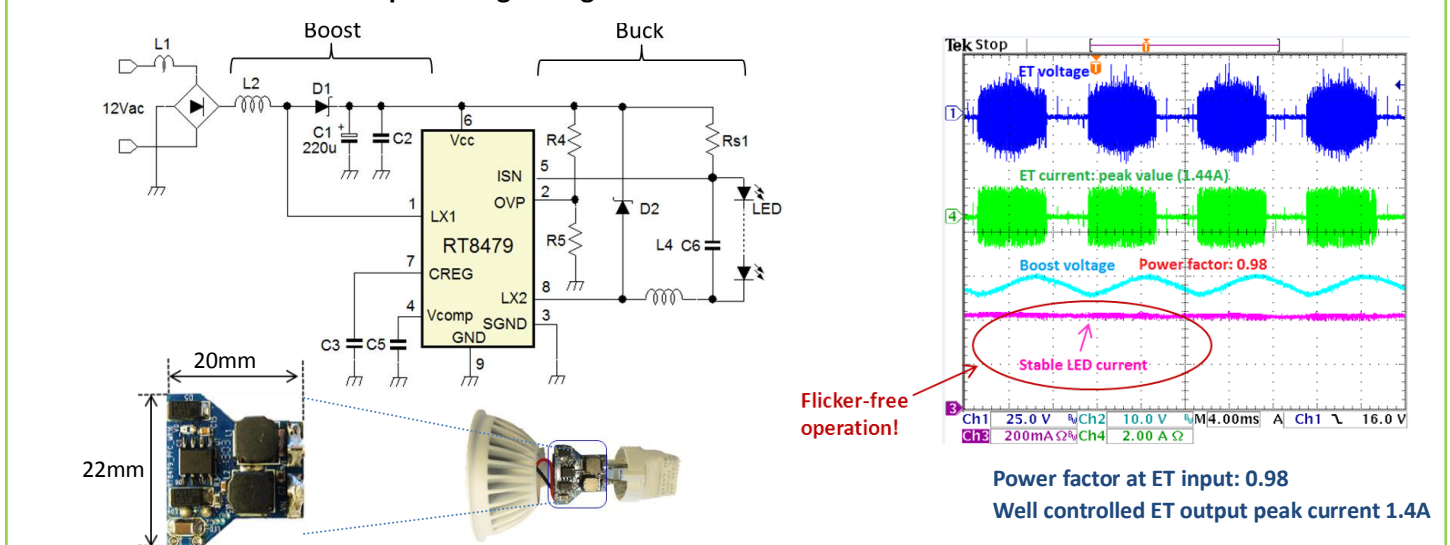


Flicker-free operation:

Smart RT8476/69 LED drivers control input current of LED lamp to keep electronic transformers working correctly



Medium power high integration MR16 solution with RT8479



For more information, please read [Minimizing Light Flicker in LED Lighting Applications](#)

MR16 LED Driver Product Family

Product	Description	LED power (Pout)	Power Factor	Built-in MOSFET	Package
RT8476	Two - stage hysteretic LED driver controller	Up to 11W	0.7		SOP-8, PSOP-8
RT8479	Two - stage hysteretic LED driver with built-in low Rds(on) MOSFETs	Up to 8W	0.9	✓	PSOP-8