

Power Management Unit Total Power Solution for SSD

General Description

The RT5091A/B is a total power management solution for SSDs (Solid State Drive) with dedicated input supply voltages of 3.3V or 5V. The RT5091A/B incorporates three high-efficiency synchronous buck regulators and one LDO that deliver several output voltages from a single power source. This provides flexibility to support applications of different VIDs with a regulated power-on sequence.

The RT5091A/B can provide configurable output voltages to supply ASIC core, DDR, Flash I/O, and PHY. With a dedicated I²C interface, it supports dynamic voltage scaling (DVS), and sleep mode for minimized standby power consumption.

Ordering Information

RT5091A/B	□	□
	—	Package Type
		QW : WQFN-32L 4x4 (W-Type)
	—	Lead Plating System
		G : Green (Halogen Free and Pb Free)
	—	A : CH2/CH4 default voltage 1.35V/3.3V
		B : CH2/CH4 default voltage 1.2V/1.8V

Note :

Richtek products are :

- ▶ RoHS compliant and compatible with the current requirements of IPC/JEDEC J-STD-020.
- ▶ Suitable for use in SnPb or Pb-free soldering processes.

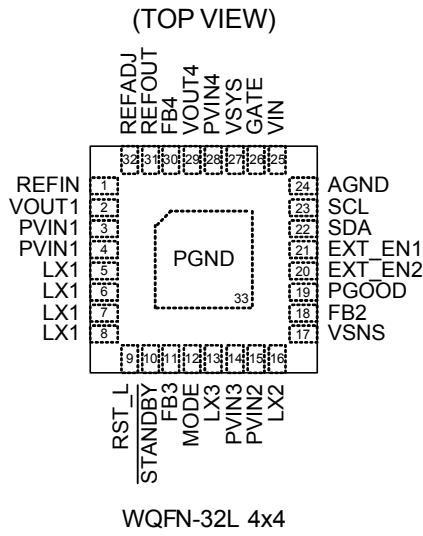
Applications

- Solid State Drives

Features

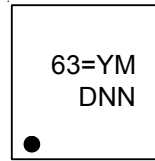
- Input Supply Voltage Range : 2.8V to 5.5V
- Three High-Efficiency Configurable Low-Voltage Buck Converters at Default Switching Frequency of 2MHz
 - ▶ CH1 for ASIC Core Power :
 - Output Current : 4A
 - Output Voltages Programmable by REFIN Pin or 0.7V to 1.3V in 10mV/Step Via I²C
 - ▶ CH2 for DDR Power :
 - Output Current : 2A
 - Output Voltages Programmable by FB2 Pin
 - ▶ CH3 for Flash I/O Power :
 - Output Current : 2A
 - Output Voltages Programmable by FB3 Pin
- One LDO of Low Quiescent Current
 - ▶ LDO for Analog and PHY Power :
 - Output Current : 300mA
 - Output Voltages Programmable by FB4 Pin
- Gate Control for External N-MOSFET Against Inrush Current from Power Input
- Internal Soft-Start and Current Limit Protection for CH1 to CH3 and LDO
- STANDBY Pin for Sleep Mode Control
- Two Output Pins to Control External Regulators/ Switches
- One Input Pin to Sense External Regulators/ Switches Output Voltage
- High-Speed Mode I²C Interface for CH1 Output Voltage Programming
- PGOOD Indicator for VSYS, CH1 to CH3, and LDO Output Voltages Monitoring
- RST_L Indicator for Reset Condition of VSYS
- Power-On Sequence Control During Start-up
- Over-Voltage Protection (OVP), Under-Voltage Protection (UVP), Under-Voltage Lockout (UVLO), and Thermal Shutdown Protection
- Small 32-Lead WQFN Package

Pin Configuration



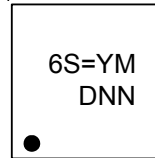
Marking Information

RT5091AGQW



63= : Product Code
YMDNN : Date Code

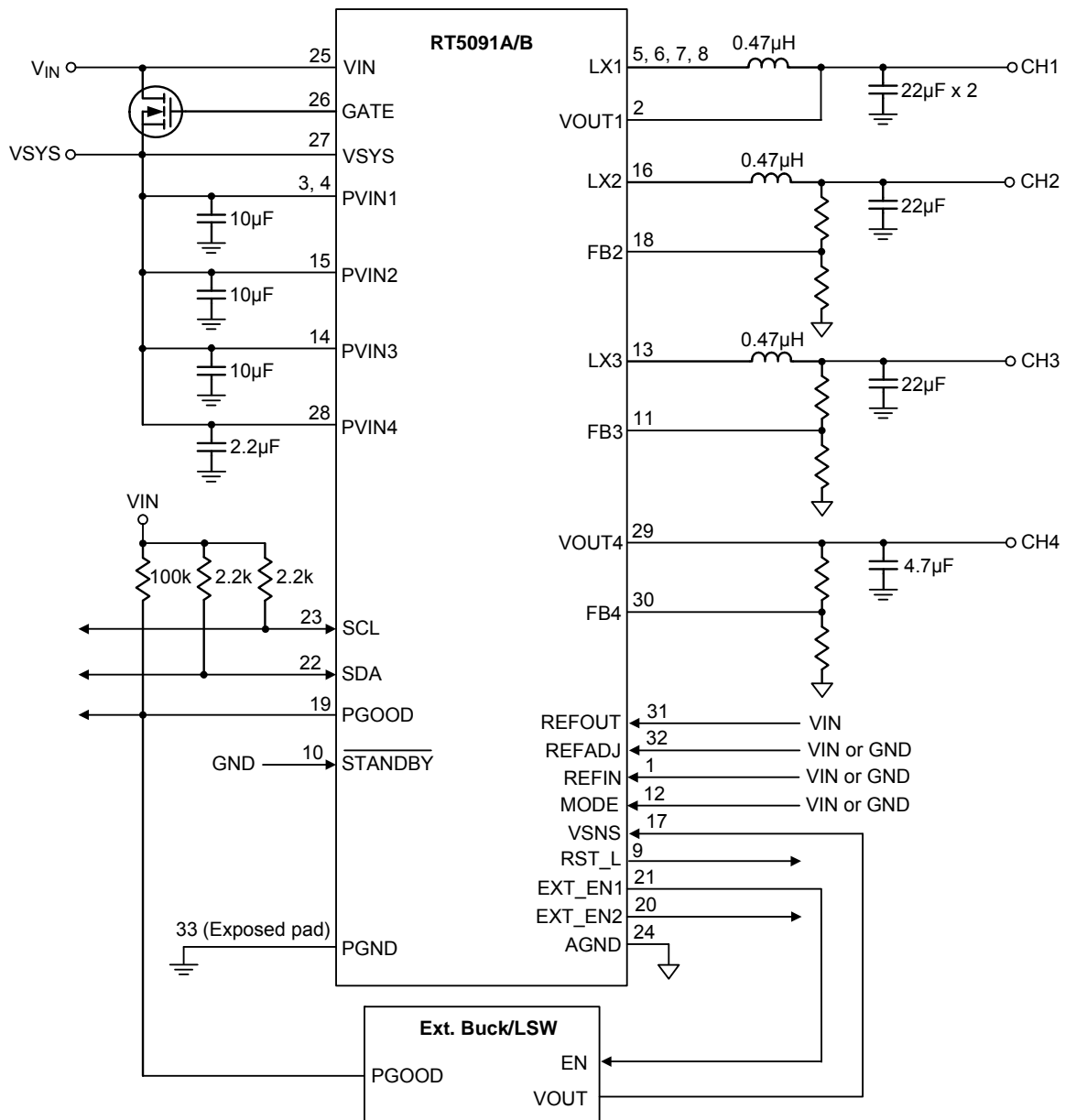
RT5091BGQW



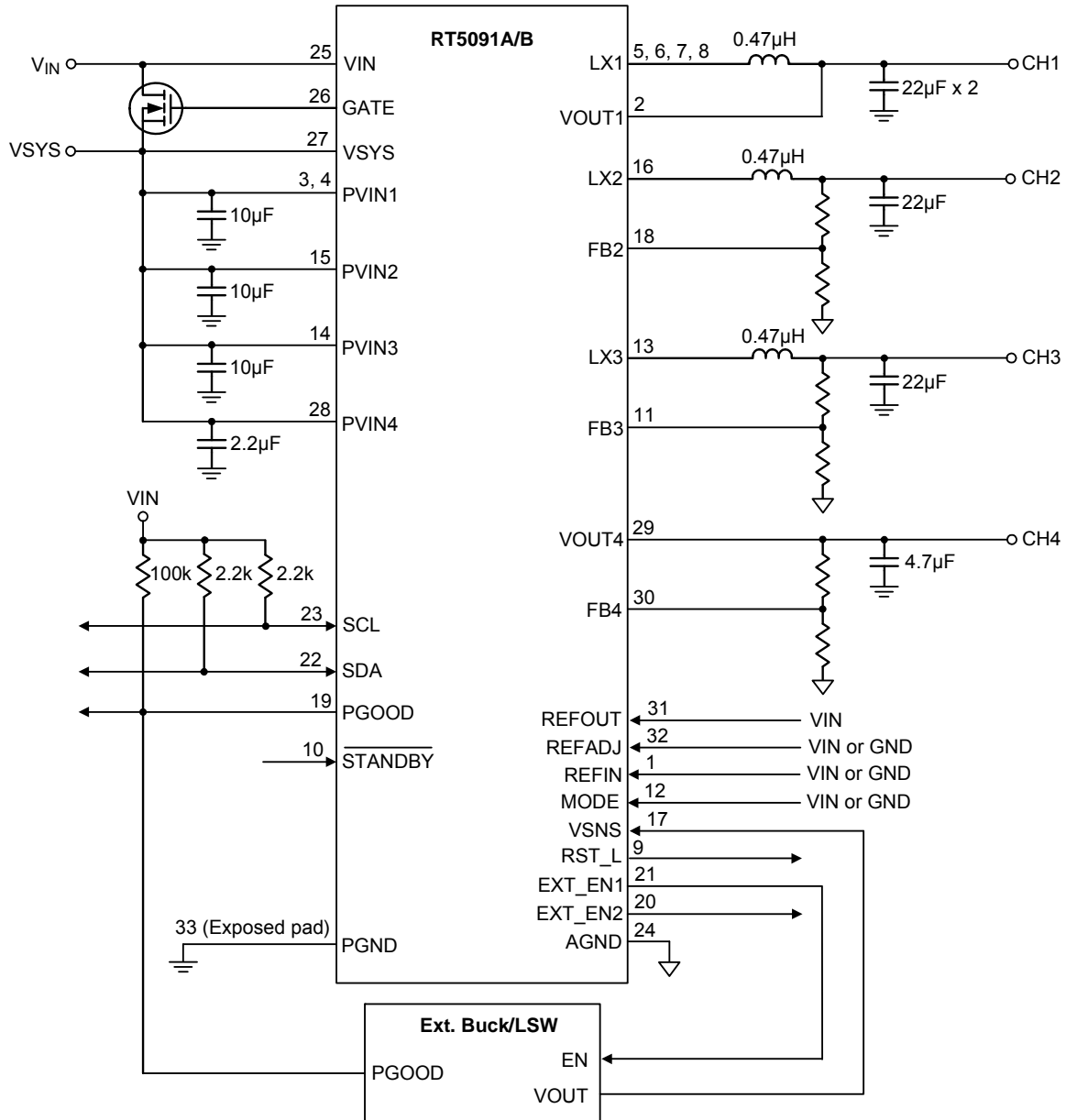
6S= : Product Code
YMDNN : Date Code

Typical Application Circuit

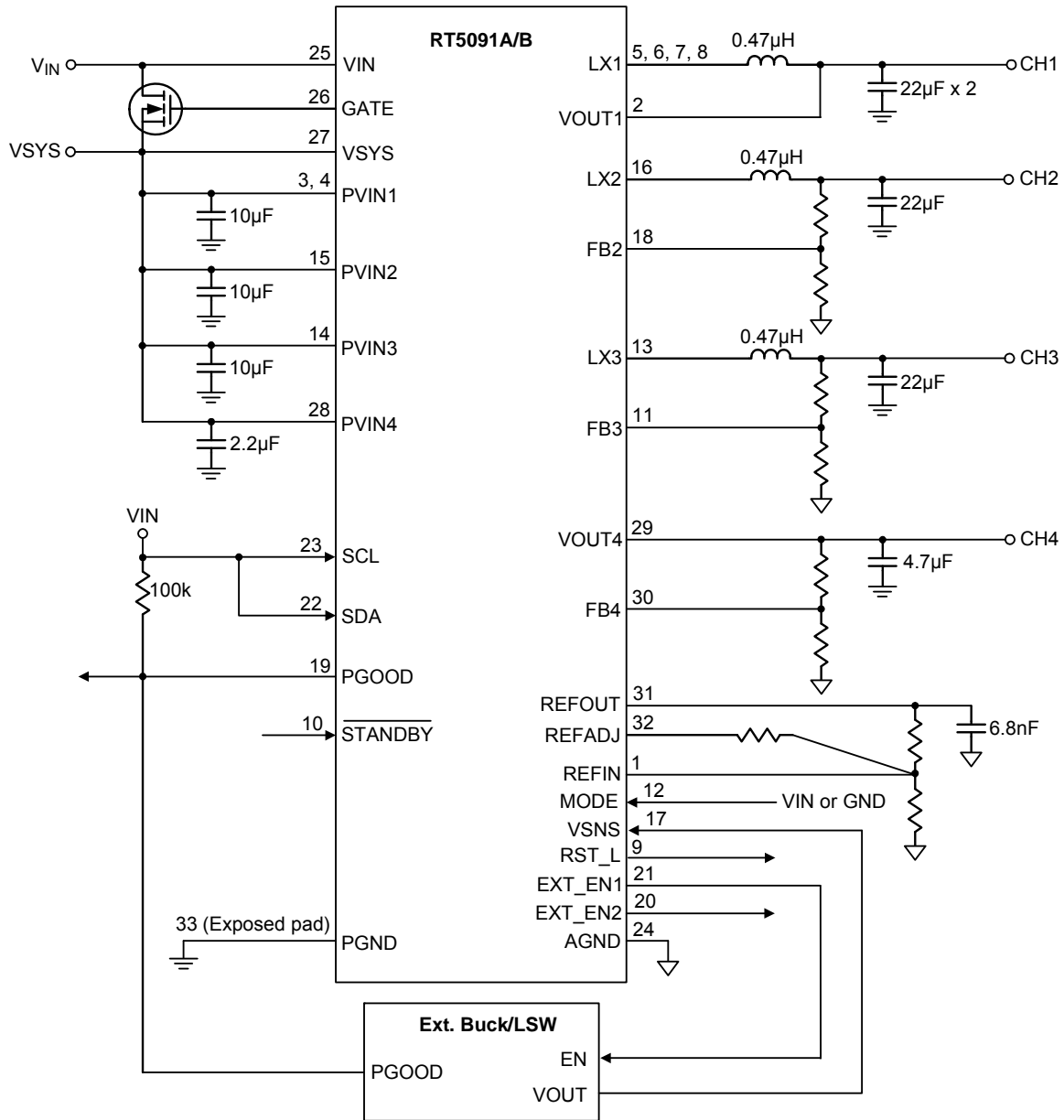
Sleep Mode Operation by I²C & CH1 VOUT DVID by I²C



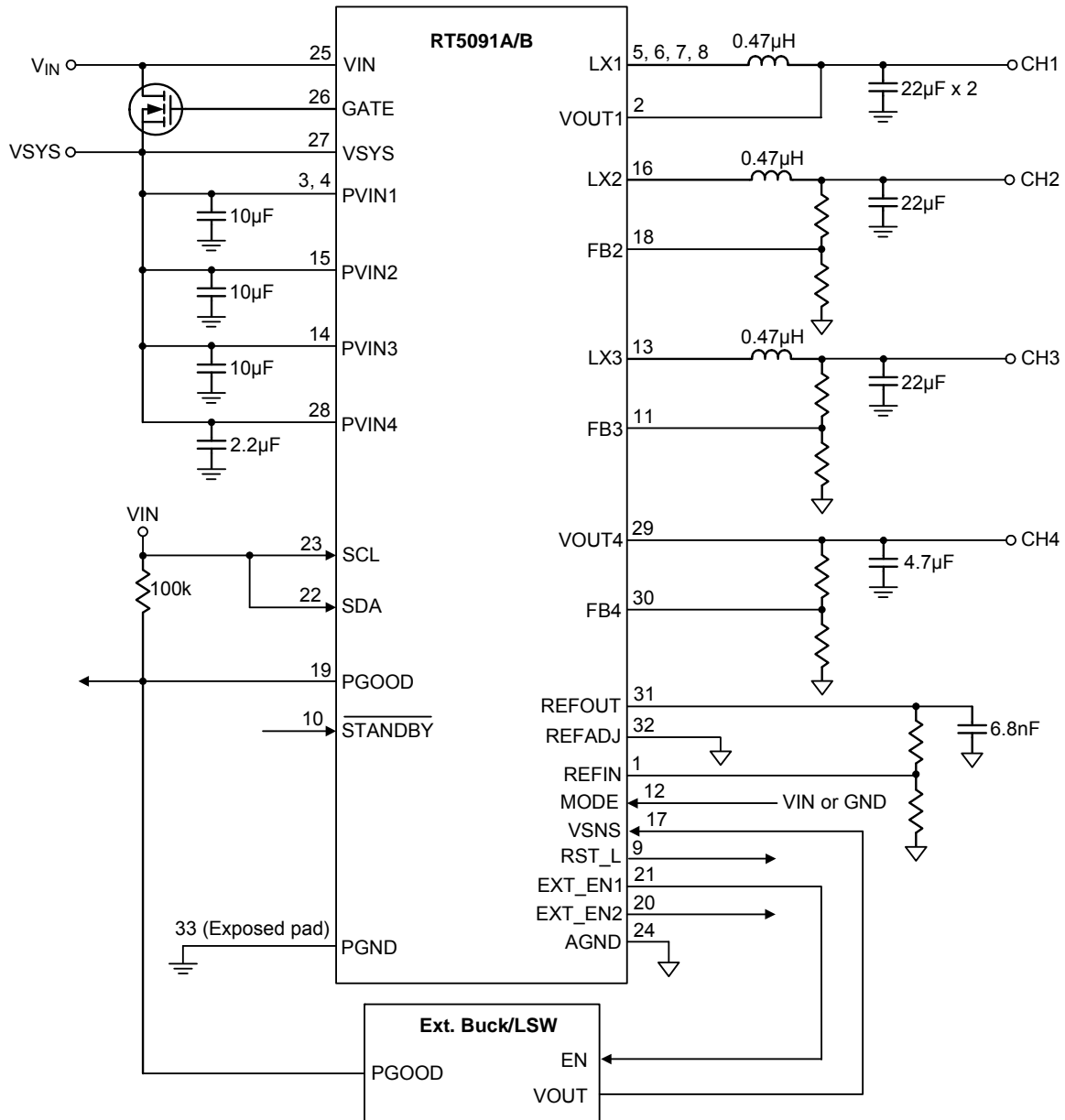
Sleep Mode Operation by $\overline{\text{STANDBY}}$ & CH1 VOUT DVID by I²C



Sleep Mode Operation by **STANDBY** & CH1 VOUT Adjustment at Sleep Mode & no I²C



Sleep Mode Operation by **STANDBY** & CH1 VOUT Adjustment via **REFIN** & no I^2C

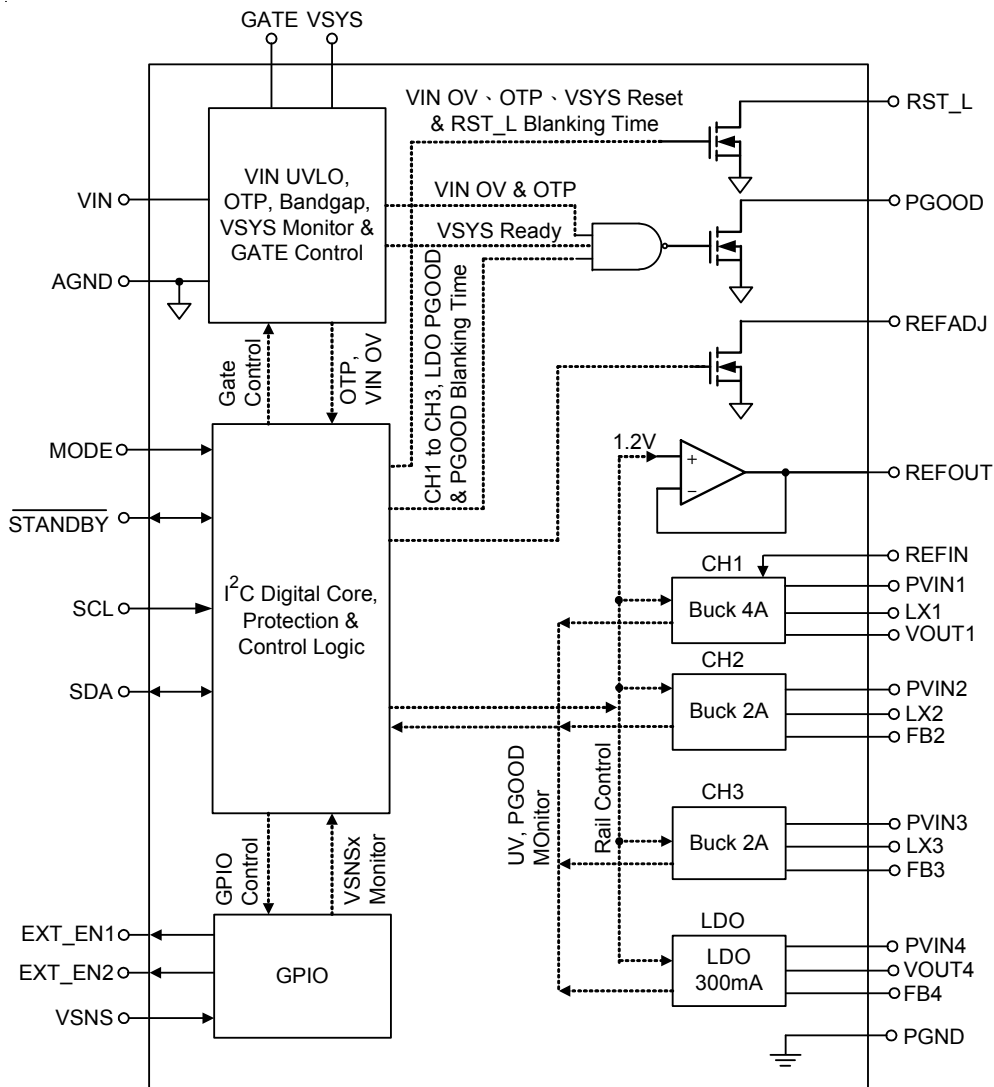


Functional Pin Description

Pin No.	Pin Name	Pin Function
1	REFIN	CH1 external reference input. CH1 output voltage is equal to $V_{REFIN} \times 1.6$.
2	VOUT1	This pin is CH1 buck feedback input. Connect this pin to CH1 buck output. To disable this rail, connect this pin to VIN.
3, 4	PVIN1	CH1 buck converter power input.
5, 6, 7, 8	LX1	CH1 buck converter switch node.
9	RST_L	VSYS reset indication. Active-low open-drain output.
10	$\overline{STANDBY}$	Standby mode control pin. Refer to $\overline{STANDBY}$ control. Internal pull low by $1\mu A$.
11	FB3	This pin is CH3 buck feedback input. Connect this pin to a resistor divider to program CH3 output voltage, or directly to CH3 output node to have a default 1.8V for CH3 output voltage. To disable this rail, connect this pin to VIN.
12	MODE	SATA 3.3V/5V select. MODE = Low, $V_{IN} = 3.3V$; MODE = High, $V_{IN} = 5V$. Internal pull low by $1\mu A$.
13	LX3	CH3 buck converter switch node.
14	PVIN3	CH3 buck converter power input.
15	PVIN2	CH2 buck converter power input.
16	LX2	CH2 buck converter switch node.
17	VSNS	External regulator output sense. If not used, tied to GND.
18	FB2	This pin is CH2 buck feedback input. Connect this pin to a resistor divider to program CH2 output voltage, or directly to CH2 output node to have a default 1.35V for RT5091A or 1.2V for RT5091B CH2 output voltage. To disable this rail, connect this pin to VIN.
19	PGOOD	This is open drain type. It indicates all rails output and VSYS is ready or not.
20	EXT_EN2	This pin is used to enable an external regulator/switch. Push-pull output. Should be floated if unused.
21	EXT_EN1	This pin is used to enable an external regulator/switch. Push-pull output. Should be floated if unused.
22	SDA	I ² C interface data signal. Connect to VIN if not used.
23	SCL	I ² C interface clock signal. Connect to VIN if not used.
24	AGND	Analog ground pin.
25	VIN	Power input.
26	GATE	This pin is used to control external power MOSFET. It should be connected to VIN if unused.
27	VSYS	System power sense.
28	PVIN4	LDO input.
29	VOUT4	LDO output.
30	FB4	This pin is LDO feedback input. Connect this pin to a resistor divider to program CH4 output voltage, or set this pin floated to have a default 3.3V for RT5091A or 1.8V for RT5091B CH4 output voltage. To disable this rail, connect this pin to VIN.

Pin No.	Pin Name	Pin Function
31	REFOUT	Reference voltage output. It provides 1% high accuracy reference 1.2V with 0.1mA source ability. Bypass to GND with a 6.8nF ceramic capacitor. Series resistors connected to this pin should be lower than 1MΩ.
32	REFADJ	Reference adjustment output. Refer to PWM-VID Dynamic Voltage Control. If this pin is not used, ties to GND.
33 (Exposed Pad)	PGND	Power ground. The exposed pad must be soldered to a large PCB and connected to PGND for maximum thermal dissipation.

Functional Block Diagram



Operation

The RT5091A/B provides three high-efficiency synchronous buck regulators and one LDO for the power system of SSD.

Buck Converter

The RT5091A/B incorporates three high-efficiency synchronous switching buck converters that deliver programmable output voltages. They feature constant-on-time current mode for low output voltage, quick transient response, and low quiescent current. These buck converters also possess all standard protections.

Buck Over-Current Limiter (OCL)

The buck converters provides current limiter for over-current protection through detecting low-side MOSFET current, which is known as the valley current limiter behavior. If the sensed inductor current is above the current limit threshold, then current limiter will start to constrain the valley of inductor current to the current limiter threshold until inductor current drops below the current limiter threshold.

Buck Under-Voltage Protection (UVP)

The output voltages are continuously monitored for under-voltage protection. If the output voltage falls below 62.5% of the reference voltage, under-voltage protection will be triggered and then the high-side and low-side MOSFET will be turned off. The UVP circuit will turn off all rails and latched. The only way to reset the latched behavior is restarting VIN power of the RT5091A/B.

Buck Over-Voltage Protection (OVP)

The output voltages are continuously monitored for over-voltage protection. If the output voltage exceeds 125% of the reference voltage, over-voltage protection will be triggered and then the high-side and low-side MOSFET will be turned off. The MOSFET drivers will keep in off-state until the over-voltage protection is released.

Linear Dropout Regulator (LDO)

The RT5091A/B includes one high performance linear dropout regulator. The LDO contains an independent current limit and under-voltage protection circuit to prevent

unexpected applications. When the path current is above the current limit threshold, the current limit circuit adjusts the gate voltage of power stage to limit the output current. Besides, if the output voltage is lower than 60% of reference voltage, the UVP circuit will turn off all rails and latched. The only way to reset the latched behavior is restarting VIN power of the RT5091A/B.

LDO Under-Voltage Protection (UVP)

The output voltages are continuously monitored for under voltage protection. If the output voltage falls below 60% of the reference voltage, under-voltage protection will be triggered and VOUT4 will be turned off. The UVP circuit will turn off all rails and latched. The only way to reset the latched behavior is restarting VIN power of the RT5091A/B.

Over-Temperature Protection (OTP)

If chip temperature is higher than 150°C, the OTP circuit will shut down all power rails. PMIC will reboot with power-up sequence after chip temperature cools down lower than 125°C.

GPIO

The RT5091A/B includes two external regulators/switches enable signals and one external regulator/switch output voltage sense.

MODE

MODE is an input pin to select the threshold voltage of VIN for POR. If VIN voltage is above the threshold voltage, PMIC will begin to start up with power-up sequence.

RST_L

RST_L is an output pin to inform the system that the VIN, VSYS, and VGATE are ready. If VSYS voltage is above the RST_L rising threshold voltage, the RST_L will be set to high. On the contrary, RST_L will be set to low if VSYS voltage is lower than RST_L falling threshold voltage.

Absolute Maximum Ratings (Note 1)

- Supply Input Voltage, VIN ----- -0.3V to 6V
- VSYS, PVIN1, PVIN2, PVIN3, PVIN4 ----- -0.3V to 6V
- GATE ----- -0.3V to 11V
- LX1, LX2, LX3 to GND ----- -0.3V to 6V
- <50ns ----- -5V to 10V
- Other Pins ----- -0.3V to 6V
- Power Dissipation, P_D @ T_A = 25°C
- WQFN-32L 4x4 ----- 3.59W
- Package Thermal Resistance (Note 2)
- WQFN-32L 4x4, θ_{JA} ----- 27.8°C/W
- WQFN-32L 4x4, θ_{JC} ----- 7°C/W
- Junction Temperature ----- 150°C
- Lead Temperature (Soldering, 10 sec.) ----- 260°C
- Storage Temperature Range ----- -65°C to 150°C
- ESD Susceptibility (Note 3)
- HBM (Human Body Model) ----- 2kV

Recommended Operating Conditions (Note 4)

- Supply Input Voltage, VIN ----- 2.8V to 5.5V
- Other Pins ----- 0V to 5.5V
- Junction Temperature Range ----- -40°C to 125°C
- Ambient Temperature Range ----- -40°C to 85°C

Electrical Characteristics

(V_{IN} = 3.3V, T_A = 25°C, unless otherwise specified)

Parameter	Symbol	Test Conditions	Min	Typ	Max	Unit
PMIC						
VIN Voltage Range	V _{VIN}	MODE = low/high	2.8/3.9	3.3/5	3.7/5.5	V
VIN Supply Current	I _{VIN}	All voltage rails, REFOUT buffer, VSNS GPIO & external MOSFET are disabled.	--	20	--	μA
STANDBY Threshold = High	V _{IH}		1.2	--	--	V
STANDBY Threshold = Low	V _{IL}		--	--	0.4	V
VIN UVLO Threshold		Falling	2.1	2.2	2.3	V
VIN UVLO Threshold Hysteresis			--	100	--	mV
Thermal Shutdown Threshold	T _{SD}	(Note 5)	--	150	--	°C
Thermal Shutdown Hysteresis	ΔT _{SD}	(Note 5)	--	25	--	°C

Parameter	Symbol	Test Conditions	Min	Typ	Max	Unit
VSYS Monitor						
RESET Rising Threshold	VRSTTH_H	MODE = low	2.7	2.8	2.9	V
		MODE = high	3.7	3.8	3.9	
RESET Falling Threshold	VRSTTH_L	If VSYS falls below VRSTTH_L, RST_L pull low.	2.2	2.3	2.4	V
VSYS Ready Falling Threshold	VSYSRDY_L	Program by PGOOD_VSYS_REG[2:1] via I ² C; MODE = low	2.7	--	3	V
		Program by PGOOD_VSYS_REG[2:1] via I ² C; MODE = high	3.8	--	4.1	
VSYS Ready Threshold Step Size		Step size for I ² C programming	--	100	--	mV
VSYS Ready Falling Accuracy		MODE = low; VSYS ready falling default threshold	2.6	2.7	2.8	V
		MODE = high; VSYS ready falling default threshold	3.65	3.8	3.95	V
VSYS Ready Hysteresis			--	150	--	mV
External N-MOSFET Switch						
Quiescent Current		External N-MOSFET are enabled	--	30	--	μA
GATE Control Current		Source current from GATE	--	875	--	nA
VIN OVP		MODE = low	3.8	--	4	V
		MODE = high	5.6	--	6	
VIN OVP Hysteresis			--	300	--	mV
CH1 (4A)						
Converter						
VIN Quiescent Current	I _{Q_VIN}	Enable, no switching, other voltage rails off, not include I _{VIN} .	--	25	35	μA
Output Voltage Scaling	V _{OUT}	Controlled by I ² C. (Note 6)	0.7	--	1.3	V
DC Output Voltage Programmable Step	V _{STEP}		--	10	--	mV
Output Voltage Default	V _{OUT}	REFOUT = REFADJ = REFIN = VIN, refer to configuration for other default voltage	0.99	1	1.01	V
Dynamic Voltage Scale Slew Rate			--	5	--	mV/μs
Line Regulation		(Note 5)	--	0.5	--	%/V

Parameter	Symbol	Test Conditions	Min	Typ	Max	Unit
Load Regulation		Force PWM (Note 5)	--	0.5	--	%/A
H/S Switch On Resistance	R _{DS(ON)_H}	PVIN1 = 5V	--	36	--	mΩ
L/S Switch On Resistance	R _{DS(ON)_L}	PVIN1 = 5V	--	27	--	mΩ
Current Limit	I _{LIM}	Valley current	4.1	5	--	A
Switching Frequency	f _{SW}		1.8	2	2.2	MHz
Minimum Off-Time	t _{OFF_MIN}		--	120	160	ns
OVP Trip Threshold	V _{OVP}	OVP detected	120	125	130	%
OVP Propagation Delay (Note 5)	t _{OVPDLY}		--	1	--	μs
UVP Trip Threshold	V _{UVP}	UVP detected	57.5	62.5	67.5	%
UVP Propagation Delay (Note 5)	t _{UVPDLY}		--	2	--	μs
PGOOD Trip Threshold		Falling edge, measured at CH1 VOUT	80	85	90	%
PGOOD Trip Hysteresis				5		%
Soft-Start Time	t _{SS}	VOUT1 = 1V	--	0.5	0.8	ms
Discharge Resistance	R _{DISCHG}	V _{IN} = 5V, discharge from LX1	--	10	--	Ω
Efficiency		PVIN1 = 3.3V, VOUT1 = 1V, I _{OUT} = 10mA	85	--	--	%
		PVIN1 = 3.3V, VOUT1 = 1V, I _{OUT} = 1A	85	--	--	%
REFOUT Buffer						
Quiescent Current		REFOUT buffer are enabled.	--	5	--	μA
REFADJ Switch On Resistance		V _{IN} = 5V	--	10	--	Ω
REFOUT Voltage	V _{REFOUT}	Sourcing Current = 0.05mA, with 6.8nF Capacitor	-1%	1.2	1%	V
CH2 (2A)						
VIN Quiescent Current	I _{Q_IN}	Enable, no switching, other voltage rails off, not include I _{VIN} .	--	25	35	μA
Internal Reference Voltage		Connect FB2 to resistor voltage divider, measure at FB2 pin.	0.792	0.8	0.808	V
Output Voltage Default	V _{OUT}	FB2 connected to VOUT2 for RT5091A	--	1.35	--	V
		FB2 connected to VOUT2 for RT5091B	--	1.2	--	
Line Regulation		(Note 5)	--	0.5	--	%/V
Load Regulation		Force PWM (Note 5)	--	0.5	--	%/A
H/S Switch On Resistance	R _{DS(ON)_H}	PVIN2 = 5V	--	103	--	mΩ
L/S Switch On Resistance	R _{DS(ON)_L}	PVIN2 = 5V	--	64	--	mΩ

Parameter	Symbol	Test Conditions	Min	Typ	Max	Unit
Current Limit	I _{LIM}	Valley current	2.1	3	--	A
Switching Frequency	f _{sw}		1.8	2	2.2	MHz
Minimum Off-Time	t _{OFF_MIN}		--	120	160	ns
OVP Trip Threshold	V _{OVP}	OVP detected	120	125	130	%
OVP Propagation Delay (Note 5)	t _{OVPDLY}		--	1	--	μs
UVP Trip Threshold	V _{UVP}	UVP detected	57.5	62.5	67.5	%
UVP Propagation Delay (Note 5)	t _{UVPDLY}		--	2	--	μs
PGOOD Trip Threshold		Falling edge, measured at CH2 VOUT	80	85	90	%
PGOOD Trip Hysteresis				5		%
Soft-Start Time	t _{SS}		--	0.5	0.8	ms
Discharge Resistance	R _{DISCHG}	V _{IN} = 5V, discharge from LX2	--	10	--	Ω
Efficiency		PVIN2 = 3.3V, FB2 = 1.2V, I _{OUT} = 10mA	85	--	--	%
		PVIN2 = 3.3V, FB2 = 1.2V, I _{OUT} = 0.5A	85	--	--	%
CH3 (2A)						
VIN Quiescent Current	I _{Q_IN}	Enable, no switching, other voltage rails off, not include I _{VIN} .	--	25	35	μA
Internal Reference Voltage		Connect FB3 to resistor voltage divider, measure at FB3 pin.	0.792	0.8	0.808	V
Output Voltage Default	V _{OUT}	FB3 connected to CH3 VOUT	--	1.8	--	V
Line Regulation		(Note 5)	--	0.5	--	%/V
Load Regulation		Force PWM (Note 5)	--	0.5	--	%/A
H/S Switch On Resistance	R _{DSON_H}	PVIN3 = 5V	--	101	--	mΩ
L/S Switch On Resistance	R _{DSON_L}	PVIN3 = 5V	--	58	--	mΩ
Current Limit	I _{LIM}	Valley current	2.1	3	--	A
Switching Frequency	f _{sw}		1.8	2	2.2	MHz
Minimum Off-Time	t _{OFF_MIN}		--	120	160	ns
OVP Trip Threshold	V _{OVP}	OVP detected	120	125	130	%
OVP Propagation Delay (Note 5)	t _{OVPDLY}		--	1	--	μs
UVP Trip Threshold	V _{UVP}	UVP detected	57.5	62.5	67.5	%

Parameter	Symbol	Test Conditions	Min	Typ	Max	Unit	
UVP Propagation Delay (Note 5)	t _{UVPDLY}		--	2	--	μs	
PGOOD Trip Threshold		Falling edge, measured at CH3 VOUT	80	85	90	%	
PGOOD Trip Hysteresis				5		%	
Soft-Start Time	t _{SS}		--	0.5	0.8	ms	
Discharge Resistance	R _{DISCHG}	V _{IN} = 5V, discharge from LX3	--	10	--	Ω	
Efficiency		PVIN3 = 3.3V, FB3 = 1.8V, I _{OUT} = 10mA	85	--	--	%	
		PVIN3 = 3.3V, FB3 = 1.8V, I _{OUT} = 0.5A	85	--	--	%	
LDO (0.3A)							
VIN Quiescent Current	I _{Q_IN}	Enable, no load, other voltage rails off, not include I _{VIN} .	--	28	38	μA	
Internal Reference Voltage		Connect FB4 to resistor voltage divider, measure at FB4 pin.	For RT5091A	0.81675	0.825	0.83325	V
			For RT5091B	0.4455	0.45	0.4545	
Output Voltage Default	V _{OUT}	FB4 floating for RT5091A	--	3.3	--	V	
		FB4 floating for RT5091B	--	1.8	--		
Line Regulation			--	0.5	--	%/V	
Load Regulation			--	0.5	--	%/A	
Dropout Voltage	V _{DROP}	PVIN4 = 5V, VOUT4 = 3.3V, I _{OUT} = 300mA	--	--	100	mV	
Current Limit	I _{LIM}		0.4	--	--	A	
UVP Trip Threshold	V _{UVP}	UVP detected	55	60	65	%	
UVP Propagation Delay (Note 5)	t _{UVPDLY}		--	2	--	μs	
PGOOD Trip Threshold		Falling edge, measured at VOUT4	80	85	90	%	
PGOOD Trip Hysteresis				5		%	
Soft-Start Time	t _{SS}	For RT5091A, VOUT4 = 3.3V	--	0.39	0.6	ms	
		For RT5091B, VOUT4 = 1.8V	--	0.26	0.5		
Discharge Resistance	R _{DISCHG}	V _{IN} = 5V, discharge from VOUT4	--	100	--	Ω	
Power Supply Rejection Rate	PSRR	I _{OUT} = 100mA, f = 100Hz	--	-50	--	dB	
		I _{OUT} = 100mA, f = 100kHz	--	-28	--		

Parameter	Symbol	Test Conditions	Min	Typ	Max	Unit
GPIO						
GPIO Input (VSNS)						
VSNS Discharge Resistance	R _{DISCHG}		--	10	--	Ω
I²C for Fast Mode						
SDA, SCL Input Voltage High			1.2	--	--	V
SDA, SCL Input Voltage Low			--	--	0.4	V
SCL Clock Rate	f _{SCL}		100	--	400	kHz
Hold Time for a Repeated START Condition	t _{HD;STA}	After this period, the first clock pulse is generated.	0.6	--	--	μs
Low Period of the SCL Clock	t _{LOW}		1.3	--	--	μs
High Period of the SCL Clock	t _{HIGH}		0.6	--	--	μs
Set Up Time For a Repeated START Condition	t _{SU;STA}		0.6	--	--	μs
Data Hold Time	t _{HD;DAT}		0	--	0.9	μs
Data Set Up Time	t _{SU;DAT}		100	--	--	ns
Set Up Time for STOP Condition	t _{SU;STO}		0.6	--	--	μs
Bus Free Time between a STOP and a START Condition	t _{BUF}		1.3	--	--	μs
Rising Time of Both SDA/SCL Signals	t _R		20	--	300	ns
Falling Time of Both SDA/SCL Signals	t _F		20	--	300	ns
SDA Output Low Sink Current	I _{OL}	SDA voltage = 0.4V	2	--	--	mA

Parameter	Symbol	Test Conditions	Min	Typ	Max	Unit
I²C for High Speed Mode						
SDA, SCL Input Voltage High			1.2	--	--	V
SDA, SCL Input Voltage Low			--	--	0.4	V
SCL Clock Rate	f _{SCL}		0.1	--	3.4	MHz
Hold Time for a Repeated START Condition	t _{HD;STA}	After this period, the first clock pulse is generated.	160	--	--	ns
Low Period of the SCL Clock	t _{LOW}		160	--	--	ns
High Period of the SCL Clock	t _{HIGH}		60	--	--	ns
Set-Up Time For a Repeated START Condition	t _{SU;STA}		60	--	--	ns
Data Hold Time	t _{HD;DAT}		0	--	70	ns
Data Set-Up Time	t _{SU;DAT}		10	--	--	ns
Set-Up Time for STOP Condition	t _{SU;STO}		160	--	--	ns
Rising Time of Both SDA/SCL Signals	t _R		10	--	80	ns
Falling Time of Both SDA/SCL Signals	t _F		10	--	80	ns
SDA Output Low Sink Current	I _{OL}	SDA voltage = 0.4V	2	--	--	mA

Note 1. Stresses beyond those listed “Absolute Maximum Ratings” may cause permanent damage to the device. These are stress ratings only, and functional operation of the device at these or any other conditions beyond those indicated in the operational sections of the specifications is not implied. Exposure to absolute maximum rating conditions may affect device reliability.

Note 2. θ_{JA} is measured under natural convection (still air) at $T_A = 25^\circ\text{C}$ with the component mounted on a high effective-thermal-conductivity four-layer test board on a JEDEC 51-7 thermal measurement standard. θ_{JC} is measured at the exposed pad of the package.

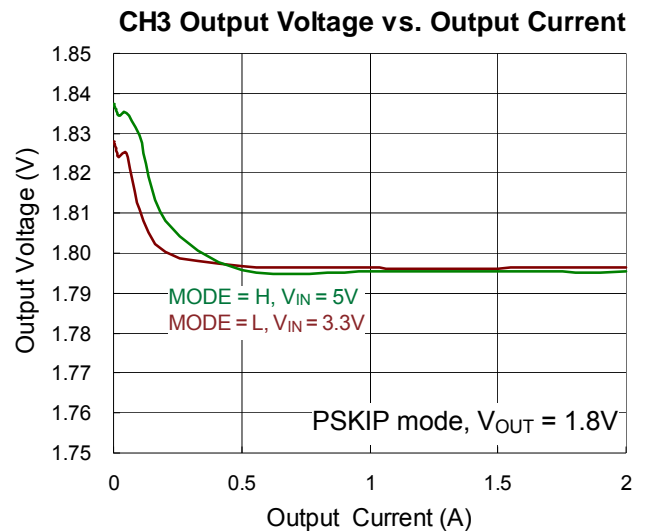
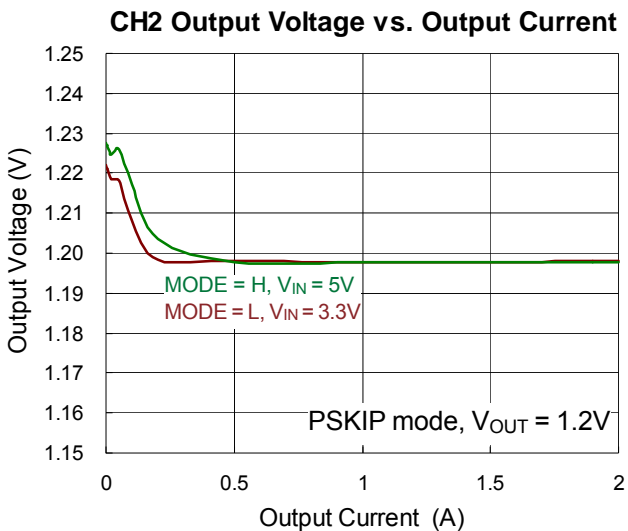
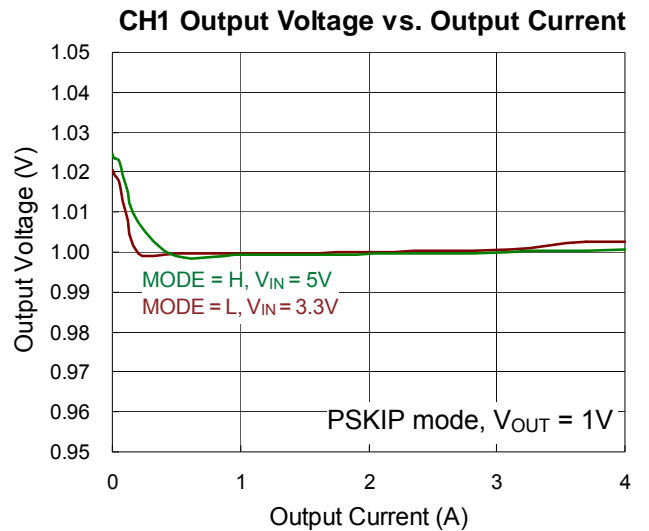
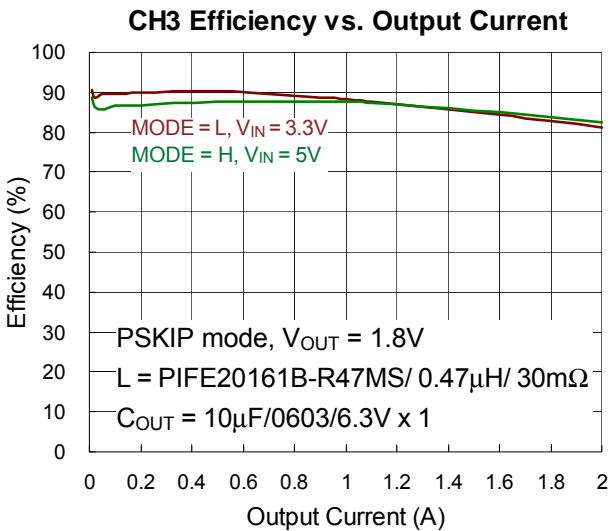
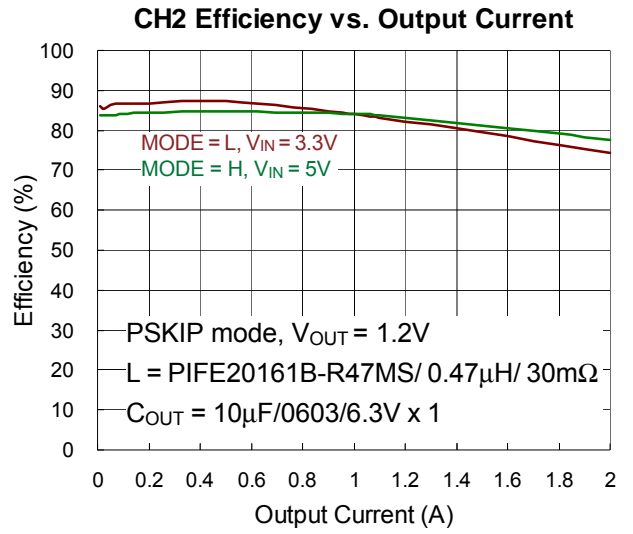
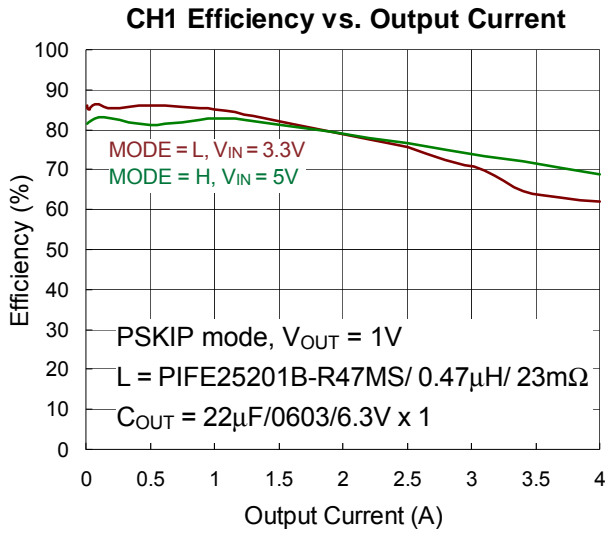
Note 3. Devices are ESD sensitive. Handling precaution is recommended.

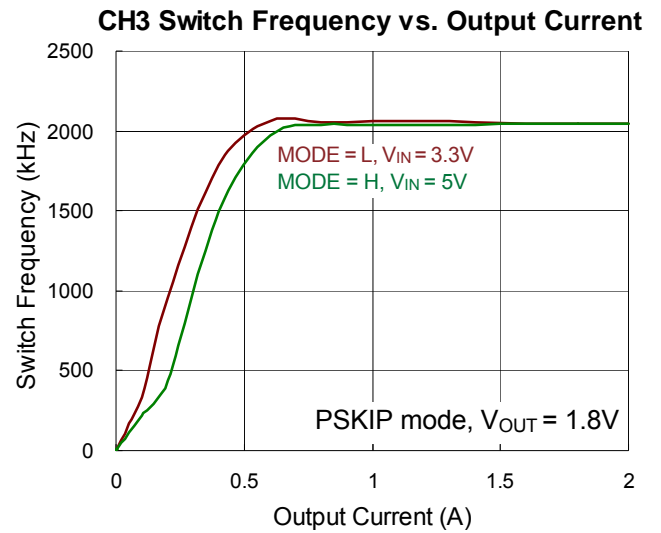
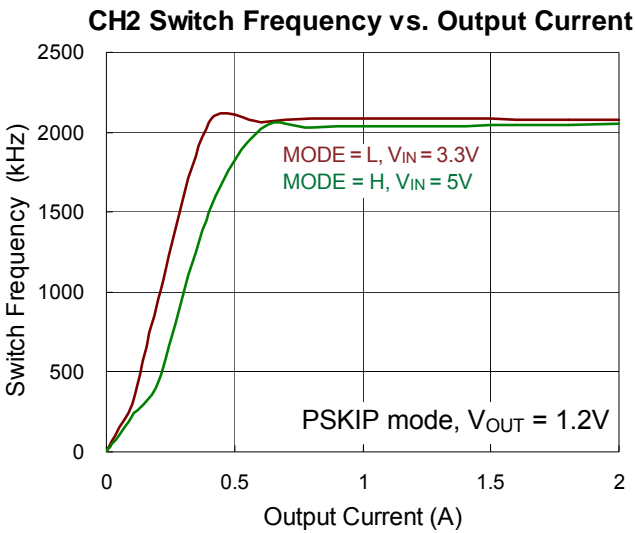
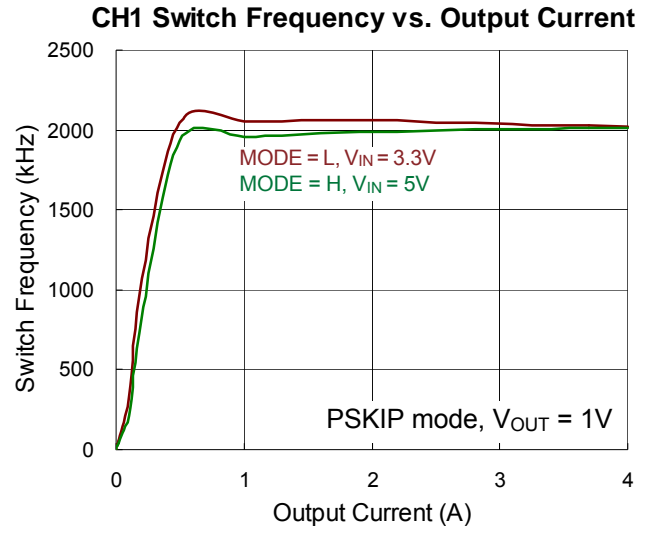
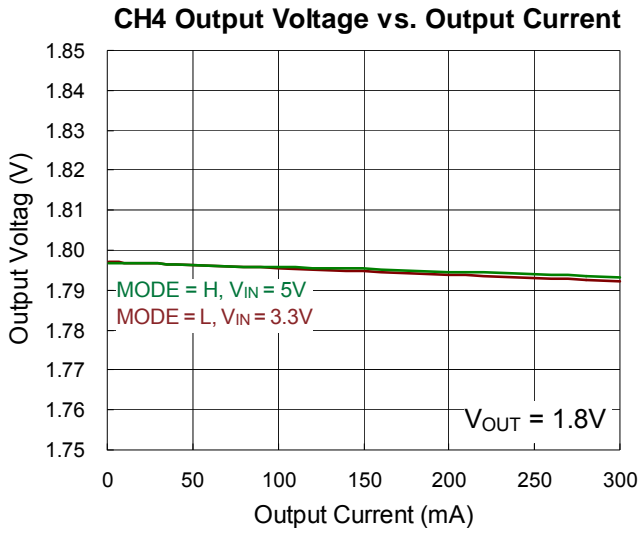
Note 4. The device is not guaranteed to function outside its operating conditions.

Note 5. Guaranteed by design.

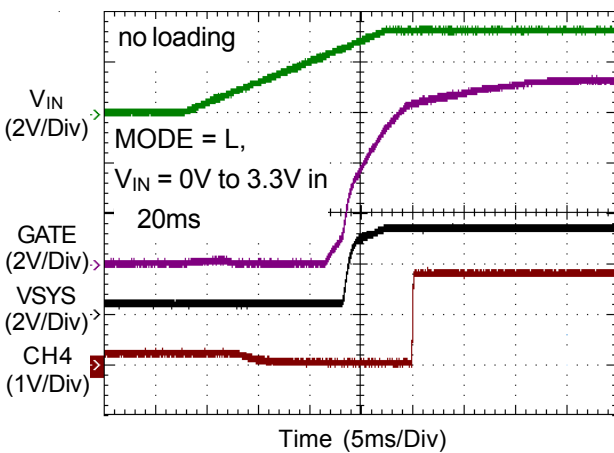
Note 6. Program CH1 output voltage via I²C need default output voltage setting during power-up sequence. Please set CH1 buck converter by Table 15.

Typical Operating Characteristics

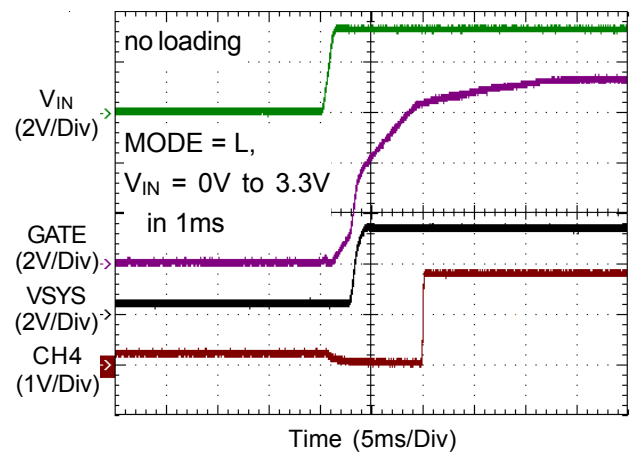




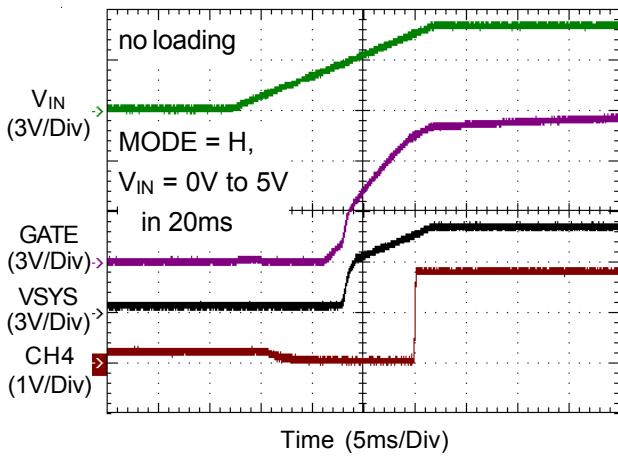
Power On with Slow Slew Rate VIN Detected



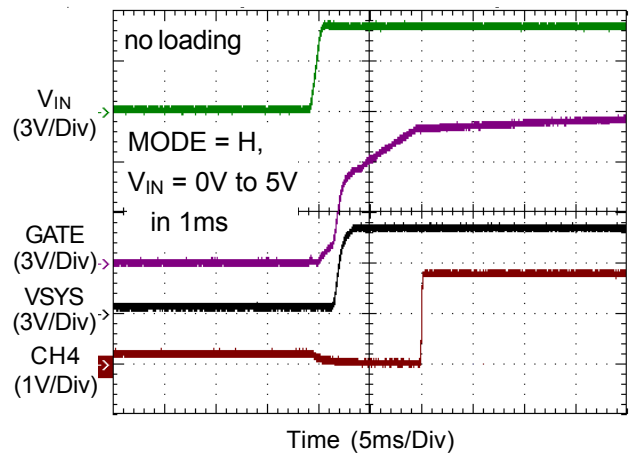
Power On with Fast Slew Rate VIN Detected



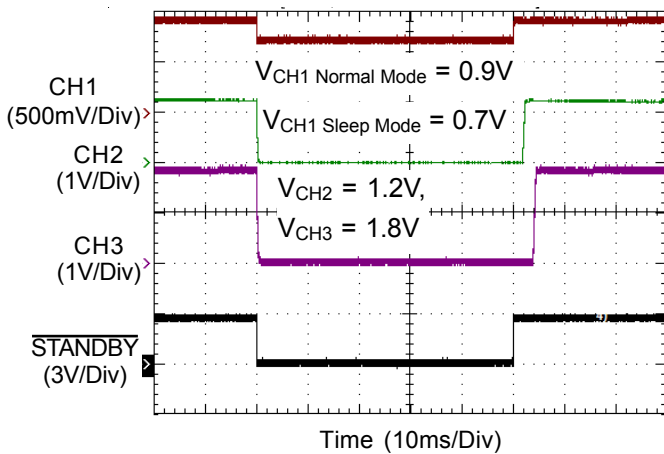
Power On with Slow Slew Rate VIN Detected



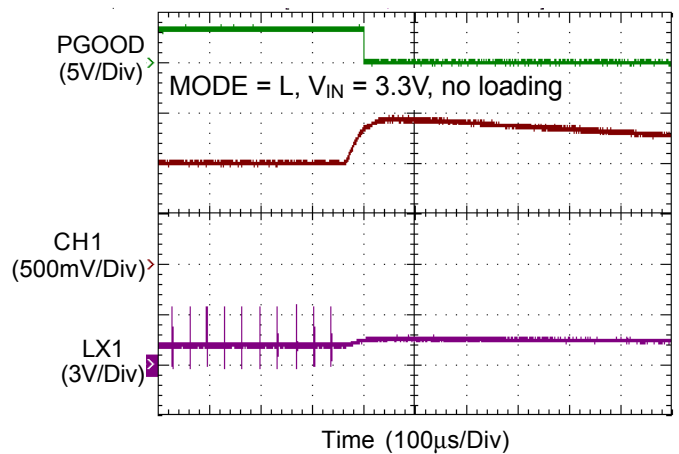
Power On with Fast Slew Rate VIN Detected



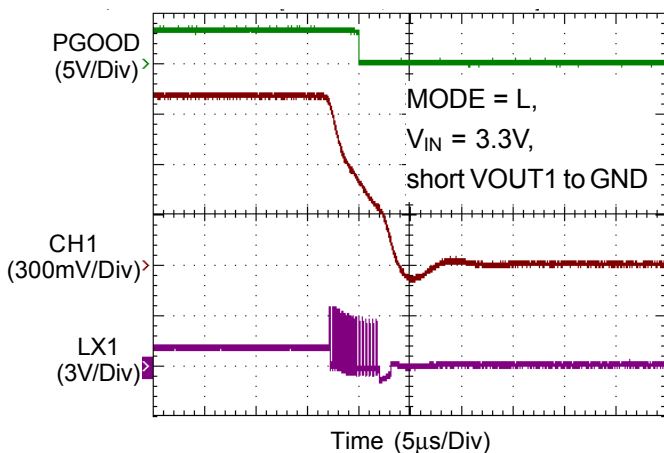
Enter/Exit Sleep Mode



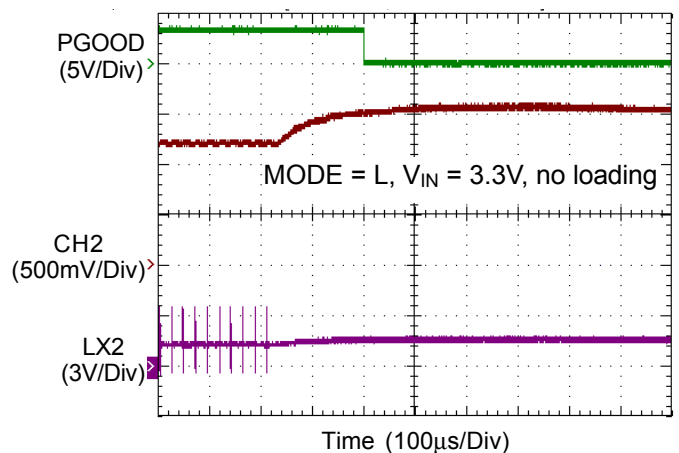
CH1 Over Voltage Protection



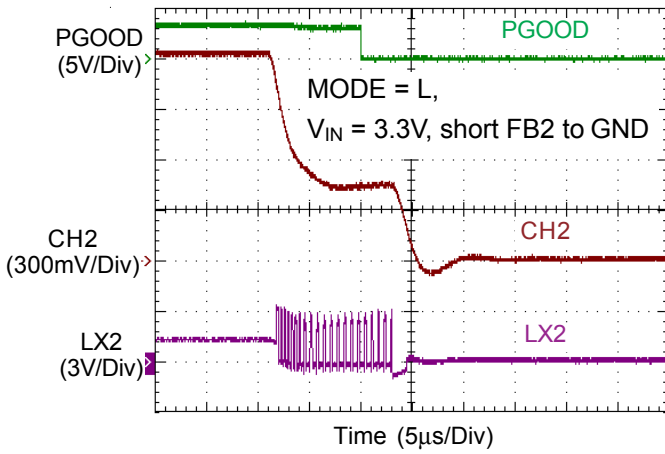
CH1 Under Voltage Protection



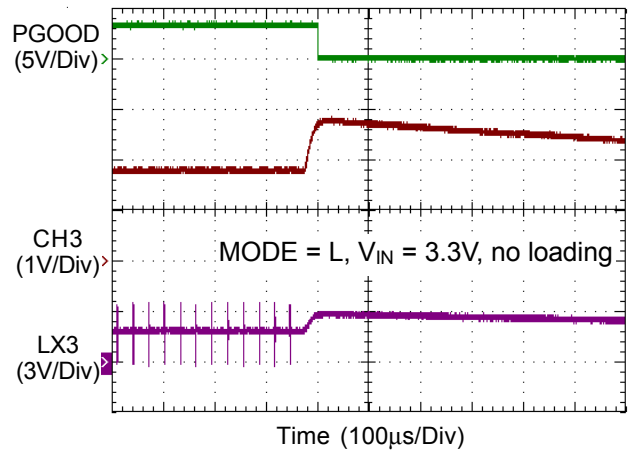
CH2 Over Voltage Protection



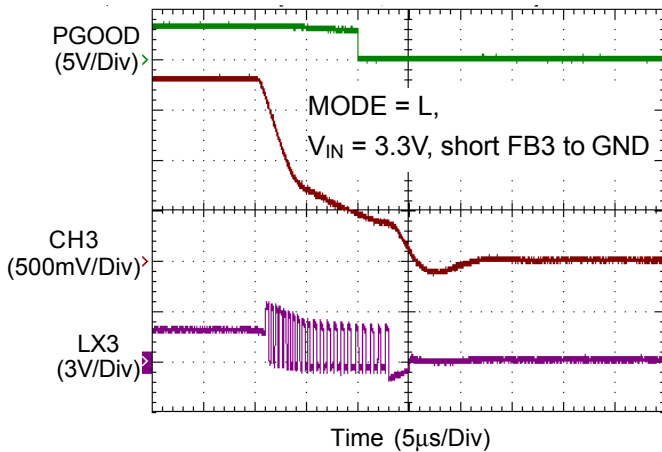
CH2 Under Voltage Protection



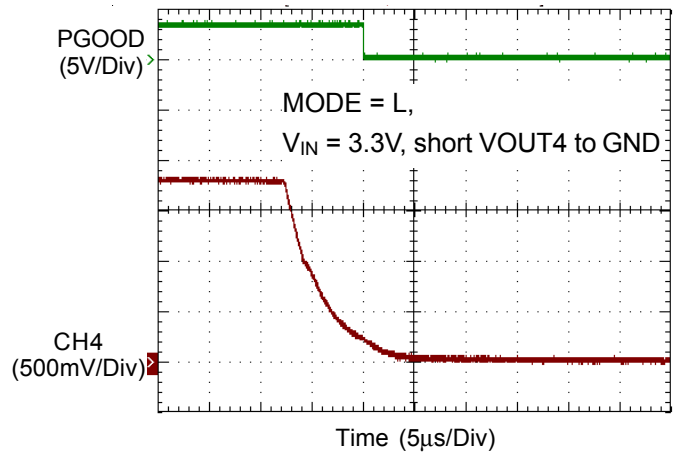
CH3 Over Voltage Protection



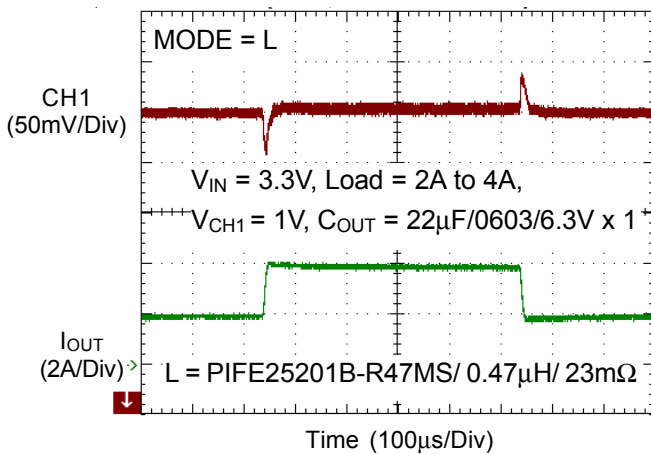
CH3 Under Voltage Protection



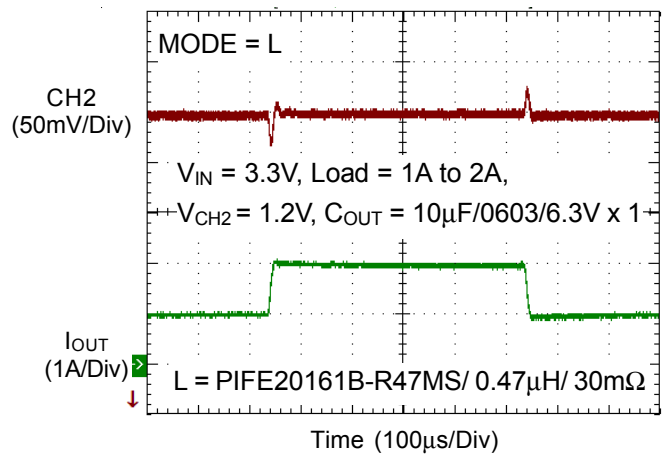
CH4 Under Voltage Protection



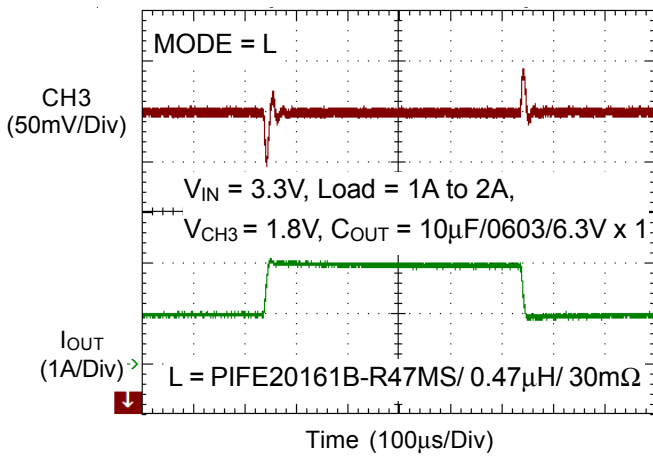
CH1 Transient Response



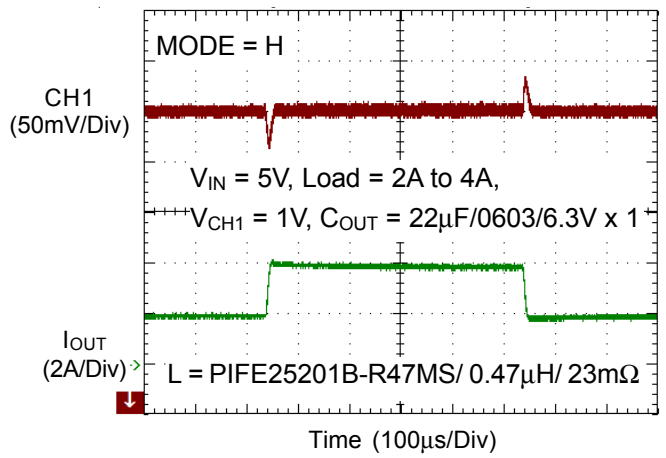
CH2 Transient Response



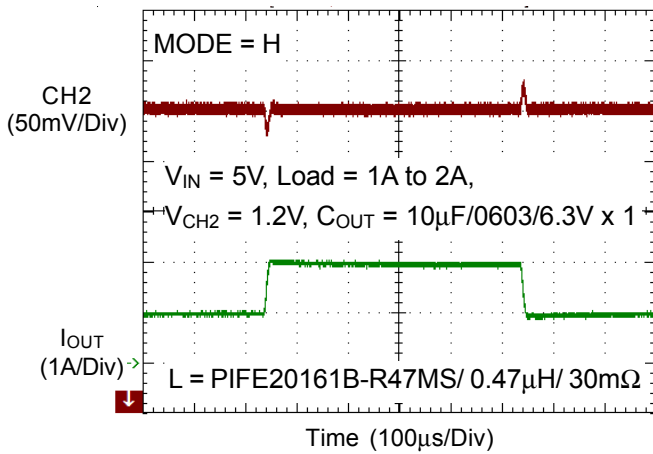
CH3 Transient Response



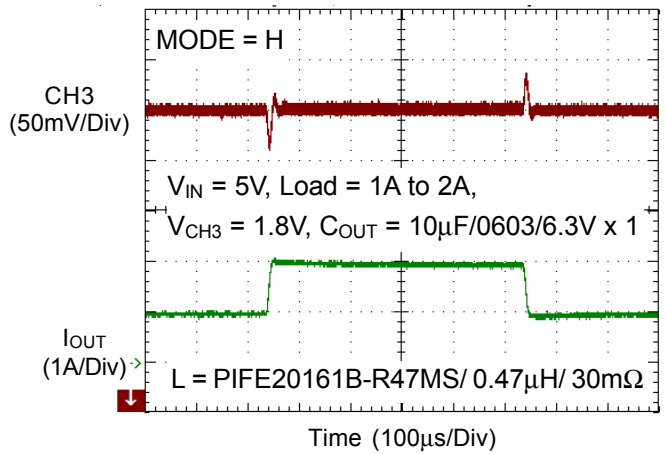
CH1 Transient Response



CH2 Transient Response



CH3 Transient Response



Functional Register Table

Table 1. RT5091A/B Register Summary

Name	Type	Register Reset	Address Offset
STANDBY	R/W	0x00h	0x00
PGOOD_VSYS_REG	R/W	--	0x01
CH1_VID_REG	R/W	--	0x02
DCDCCTRL0_REG0	R/W	0x00h	0x03
DCDCCTRL1_REG	R/W	0x00h	0x04
CH1/CH2_CONTROL	R/W	0x56h	0x05
CH3/LDO_CONTROL	R/W	0XE1h	0x06
EXT_EN1/EXT_EN2_CONTROL	R/W	0x8Ah	0x07
PRODUCT_ID_REG	R	0x00h	0x0A
MANUFACTURER_ID_REG	R	0x00h	0x0B
REVISION_NUMBER_REG	R	0x00h	0x0C
PROTECT	R	--	0x0D

Table 2. STANDBY

Address : 0x00								
Description : STANDBY Mode Enable/Disable								
Bits	Bit7	Bit6	Bit5	Bit4	Bit3	Bit2	Bit1	Bit0
Name	Reserved							STANDBYEN
Reset Value	0	0	0	0	0	0	0	0
Read/ Write	R	R	R	R	R	R	R	R/W

Bits	Name	Description
7 : 1	Reserved	Reserved bit
0	STANDBYEN	Standby mode allowed to enter 0 : Not allowed 1 : Allowed

Table 3. PGOOD_VSYS_REG

Address : 0x01								
Description : Power good information register								
When voltage rails achieve 90% of VID target, the relative bit will set to 1.								
Bits	Bit7	Bit6	Bit5	Bit4	Bit3	Bit2	Bit1	Bit0
Name	CH1_PGOOD	CH2_PGOOD	CH3_PGOOD	LDO_PGOOD	MODE	VSYSRDY_TH		Reserved
Reset Value	0	0	0	0	--	--	--	1
Read/ Write	R	R	R	R	R	R/W	R/W	R/W

Bits	Name	Description
7	CH1_PGOOD	Status bit. Indicates power good on CH1
6	CH2_PGOOD	Status bit. Indicates power good on CH2
5	CH3_PGOOD	Status bit. Indicates power good on CH3
4	LDO_PGOOD	Status bit. Indicates power good on CH4
3	MODE	MODE = Low, MODE[3] = 0b MODE = High, MODE[3] = 1b
2 : 1	VSYSRDY_TH	MODE = Low, MODE[3] = 0b : VSYSRDY_TH[2:1] = 00b : 2.7V (default) VSYSRDY_TH[2:1] = 01b : 2.8V VSYSRDY_TH[2:1] = 10b : 2.9V VSYSRDY_TH[2:1] = 11b : 3V MODE = High, MODE[3] = 1b : VSYSRDY_TH[2:1] = 00b : 3.8V (default) VSYSRDY_TH[2:1] = 01b : 3.9V VSYSRDY_TH[2:1] = 10b : 4V VSYSRDY_TH[2:1] = 11b : 4.1V
0	Reserved	Reserved bit. Keep it always be 1.

Table 4. CH1_VID_REG

Address : 0x02								
Description : CH1 VID setting register								
Bits	Bit7	Bit6	Bit5	Bit4	Bit3	Bit2	Bit1	Bit0
Name	Reserved		SEL					
Reset Value	0	0	--	--	--	--	--	--
Read/Write	R	R	R/W	R/W	R/W	R/W	R/W	R/W

Bits	Name	Description
7 : 6	Reserved	Reserved bit
5 : 0	SEL	Supply voltage : SEL[5:0] = 000000b : 0.7V SEL[5:0] = 000001b : 0.71V SEL[5:0] = 000010b : 0.72V SEL[5:0] = 000011b : 0.73V SEL[5:0] = 000100b : 0.74V SEL[5:0] = 000101b : 0.75V SEL[5:0] = 000110b : 0.76V SEL[5:0] = 000111b : 0.77V SEL[5:0] = 001000b : 0.78V SEL[5:0] = 001001b : 0.79V SEL[5:0] = 001010b : 0.8V SEL[5:0] = 001011b : 0.81V SEL[5:0] = 001100b : 0.82V SEL[5:0] = 001101b : 0.83V SEL[5:0] = 001110b : 0.84V SEL[5:0] = 001111b : 0.85V SEL[5:0] = 010000b : 0.86V SEL[5:0] = 010001b : 0.87V SEL[5:0] = 010010b : 0.88V SEL[5:0] = 010011b : 0.89V SEL[5:0] = 010100b : 0.9V SEL[5:0] = 010101b : 0.91V SEL[5:0] = 010110b : 0.92V SEL[5:0] = 010111b : 0.93V SEL[5:0] = 011000b : 0.94V SEL[5:0] = 011001b : 0.95V SEL[5:0] = 011010b : 0.96V SEL[5:0] = 011011b : 0.97V SEL[5:0] = 011100b : 0.98V SEL[5:0] = 011101b : 0.99V SEL[5:0] = 011110b : 1V SEL[5:0] = 011111b : 1.01V SEL[5:0] = 100000b : 1.02V SEL[5:0] = 100001b : 1.03V SEL[5:0] = 100010b : 1.04V SEL[5:0] = 100011b : 1.05V SEL[5:0] = 100100b : 1.06V SEL[5:0] = 100101b : 1.07V

Bits	Name	Description
5 : 0	SEL	SEL[5:0] = 100110b : 1.08V SEL[5:0] = 100111b : 1.09V SEL[5:0] = 101000b : 1.1V SEL[5:0] = 101001b : 1.11V SEL[5:0] = 101010b : 1.12V SEL[5:0] = 101011b : 1.13V SEL[5:0] = 101100b : 1.14V SEL[5:0] = 101101b : 1.15V SEL[5:0] = 101110b : 1.16V SEL[5:0] = 101111b : 1.17V SEL[5:0] = 110000b : 1.18V SEL[5:0] = 110001b : 1.19V SEL[5:0] = 110010b : 1.20V SEL[5:0] = 110011b : 1.21V SEL[5:0] = 110100b : 1.22V SEL[5:0] = 110101b : 1.23V SEL[5:0] = 110110b : 1.24V SEL[5:0] = 110111b : 1.25V SEL[5:0] = 111000b : 1.26V SEL[5:0] = 111001b : 1.27V SEL[5:0] = 111010b : 1.28V SEL[5:0] = 111011b : 1.29V SEL[5:0] = 111100b to 111111b : 1.3V

Table 5. DCDCCTRL0_REG0

Address : 0x03								
Description : Internal enable register								
Bits	Bit7	Bit6	Bit5	Bit4	Bit3	Bit2	Bit1	Bit0
Name	LSW1_EN	CH1_EN	CH2_EN	CH3_EN	LDO_EN	EXT_EN1_EN	EXT_EN2_EN	Reserved
Reset Value	0	0	0	0	0	0	0	0
Read/Write	R/W	R/W	R/W	R/W	R/W	R/W	R/W	R

Bits	Name	Description
7	LSW1_EN	LSW1_EN[7] = 0b : Disable LSW1 LSW1_EN[7] = 1b : Enable LSW1 After PMIC powering up, this register value is auto-written to 1b. Power off all rails by setting 0b, PMIC will automatically set this register to 0x00h. Setting to 1b will re-power on all rails in sequence, DO NOT set this register to any value other than 0x80h. In case of rails are forced to be turned on during internal circuits are still doing the auto-calibration and detecting progress.
6	CH1_EN	CH1_EN[6] = 0b : Disable CH1 CH1_EN[6] = 1b : Enable CH1 After PMIC powering up, this register value is auto-written to 1b.
5	CH2_EN	CH2_EN[5] = 0b : Disable CH2 CH2_EN[5] = 1b : Enable CH2 After PMIC powering up, this register value is auto-written to 1b.
4	CH3_EN	CH3_EN[4] = 0b : Disable CH3 CH3_EN[4] = 1b : Enable CH3 After PMIC powering up, this register value is auto-written to 1b.
3	LDO_EN	LDO_EN[3] = 0b : Disable LDO LDO_EN[3] = 1b : Enable LDO After PMIC powering up, this register value is auto-written to 1b.
2	EXT_EN1_EN	EXT_EN1_EN[2] = 0b : Disable EXT_EN1 EXT_EN2_EN[2] = 1b : Enable EXT_EN1 After PMIC powering up, this register value is auto-written to 1b.
1	EXT_EN2_EN	CH6_EN[1] = 0b : Disable EXT_EN2 CH6_EN[1] = 1b : Enable EXT_EN2 After PMIC powering up, this register value is auto-written to 1b.
0	Reserved	Reserved bit

Table 6. DCDCCTRL1_REG

Address : 0x04								
Description : DCDC PSKIP/PWM mode control register								
Bits	Bit7	Bit6	Bit5	Bit4	Bit3	Bit2	Bit1	Bit0
Name	CH1_PWM	CH2_PWM	CH3_PWM	Reserved				
Reset Value	0	0	0	0	0	0	0	0
Read/Write	R/W	R/W	R/W	R	R	R	R	R

Bits	Name	Description
7	CH1_PWM	CH1_PWM[7] = 0b : PSKIP mode CH1_PWM[7] = 1b : Forced PWM mode
6	CH2_PWM	CH2_PWM[6] = 0b : PSKIP mode CH2_PWM[6] = 1b : Forced PWM mode
5	CH3_PWM	CH3_PWM[5] = 0b : PSKIP mode CH3_PWM[5] = 1b : Forced PWM mode
4 : 0	Reserved	Reserved bit

Table 7. CH1_CH2_CONTROL

Address : 0x05								
Description : CH1/CH2 wake up timing configure register & sleep mode control register								
Bits	Bit7	Bit6	Bit5	Bit4	Bit3	Bit2	Bit1	Bit0
Name	CH1_WAKE-UP_TIME		CH1_ALIVE	CH2_WAKE-UP_TIME			CH2_ALIVE	
Reset Value	0	1	0	1	0	1	1	0
Read/Write	R/W	R/W	R/W	R/W	R/W	R/W	R/W	R/W

Bits	Name	Description
7 : 5	CH1_WAKE-UP_TIME	CH1 wake up sequence timing setting [7:5] = 000b : Time slot 0 [7:5] = 001b : Time slot 1 [7:5] = 010b : Time slot 2 [7:5] = 011b : Time slot 3 [7:5] = 100b : Time slot 4 [7:5] = 101b : Time slot 5 [7:5] = 110b : Time slot 6 [7:5] = 111b : Time slot 7 The duration between wake-up signal and a rail rising edge is : $T_{WAKE_UP_DELAY} = 150\mu s + N \times 512\mu s. (0 \leq N \leq 7)$
4	CH1_ALIVE	When entering sleep mode : CH1_ALIVE[4] = 0b : CH1 turns off CH1_ALIVE[4] = 1b : CH1 keeps alive and enters sleep mode
3 : 1	CH2_WAKE-UP_TIME	Please refer to "CH1_WAKE-UP_TIME" register description.
0	CH2_ALIVE	When entering sleep mode: CH2_ALIVE[0] = 0b : CH2 turns off CH2_ALIVE[0] = 1b : CH2 keeps alive and enters sleep mode

Table 8. CH3_LDO_CONTROL

Address : 0x06								
Description : CH3/LDO wake up timing configure register & sleep mode control register								
Bits	Bit7	Bit6	Bit5	Bit4	Bit3	Bit2	Bit1	Bit0
Name	CH3_WAKE-UP_TIME			CH3_ALIVE	LDO_WAKE-UP_TIME			LDO_ALIVE
Reset Value	1	1	1	0	0	0	0	1
Read/Write	R/W	R/W	R/W	R/W	R/W	R/W	R/W	R/W

Bits	Name	Description
7 : 5	CH3_WAKE-UP_TIME	Please refer to “CH1_WAKE-UP_TIME” register description.
4	CH3_ALIVE	When entering sleep mode : CH3_ALIVE[4] = 0b : CH3 turns off CH3_ALIVE[4] = 1b : CH3 keeps alive and enters sleep mode
3 : 1	LDO_WAKE-UP_TIME	Please refer to “CH1_WAKE-UP_TIME” register description.
0	LDO_ALIVE	When entering sleep mode: LDO_ALIVE[0] = 0b : LDO turns off LDO_ALIVE[0] = 1b : LDO keeps alive and enters sleep mode

Table 9. EXT_EN1&EXT_EN2_CONTROL

Address : 0x07								
Description : EXT_EN1/EXT_EN2 wake up timing configure register & sleep mode control register								
Bits	Bit7	Bit6	Bit5	Bit4	Bit3	Bit2	Bit1	Bit0
Name	EXT_EN1_WAKE-UP_TIME			EXT_EN1_ALIVE	EXT_EN2_WAKE-UP_TIME			EXT_EN2_ALIVE
Reset Value	1	0	0	0	1	0	1	0
Read/Write	R/W	R/W	R/W	R/W	R/W	R/W	R/W	R/W

Bits	Name	Description
7 : 5	EXT_EN1_WAKE-UP_TIME	Please refer to “CH1_WAKE-UP_TIME” register description.
4	EXT_EN1_ALIVE	When entering sleep mode : EXT_EN1_ALIVE[4] = 0b : EXT_EN1 turns off EXT_EN1_ALIVE[4] = 1b : EXT_EN1 keeps alive and enters sleep mode
3 : 1	EXT_EN2_WAKE-UP_TIME	Please refer to “CH1_WAKE-UP_TIME” register description.
0	EXT_EN2_ALIVE	When entering sleep mode : EXT_EN2_ALIVE[0] = 0b : EXT_EN2 turns off EXT_EN2_ALIVE[0] = 1b : EXT_EN2 keeps alive and enters sleep mode

Table 10. PRODUCT_ID_REG

Address : 0x0A								
Description : Product ID number register								
Bits	Bit7	Bit6	Bit5	Bit4	Bit3	Bit2	Bit1	Bit0
Name	PRODUCT_ID							
Reset Value	0x00h							
Read/Write	R	R	R	R	R	R	R	R

Bits	Name	Description
7 : 0	PRODUCT_ID	Return the product ID number : 0x00h

Table 11. MANUFACTURER_ID_REG

Address : 0x0B								
Description : Manufacturer ID number register								
Bits	Bit7	Bit6	Bit5	Bit4	Bit3	Bit2	Bit1	Bit0
Name	MANUFACTURER_ID							
Reset Value	0x00h							
Read/Write	R	R	R	R	R	R	R	R

Bits	Name	Description
7 : 0	MANUFACTURER_ID	Return the manufacturer ID number : 0x00h

Table 12. REVISION_NUMBER_REG

Address : 0x0C								
Description : Revision number register								
Bits	Bit7	Bit6	Bit5	Bit4	Bit3	Bit2	Bit1	Bit0
Name	REVISION_NUMBER							
Reset Value	0	0	0	0	0	0	0	0
Read/Write	R	R	R	R	R	R	R	R

Bits	Name	Description
7 : 0	REVISION_NUMBER	Return the revision number : 0x00h

Table 13. PROTECT

Address : 0x0D								
Description : Protect register								
Bits	Bit7	Bit6	Bit5	Bit4	Bit3	Bit2	Bit1	Bit0
Name	UV_CH1	UV_CH2	UV_CH3	UV_LDO	OT_IC	OV_VIN	GATE_READY	PORB_VOUT
Reset Value	--	--	--	--	--	--	1	1
Read/Write	R	R	R	R	R	R	R	R

Bits	Name	Description
7	UV_CH1	Indicator for CH1 under voltage event.
6	UV_CH2	Indicator for CH2 under voltage event.
5	UV_CH3	Indicator for CH3 under voltage event.
4	UV_LDO	Indicator for LDO under voltage event.
3	OT_IC	Indicator for PMIC over temperature event.
2	OV_VIN	Indicator for VIN over voltage event.
1	GATE_READY	Internal monitoring signal. (only for vendor)
0	PORB_VOUT	Internal monitoring signal. (only for vendor)

Application Information

The RT5091A/B is a total power management solution for SSDs (Solid State Drive) with dedicated input supply voltages of 3.3V or 5V. The RT5091A/B incorporates three high-efficiency synchronous buck regulators and one LDO that deliver several output voltages from a single power source. CH1 buck supports VID programming by either I²C interface or REFIN pin. And the output voltages of the rest two bucks, CH2 and CH3, can be programmed by resistor dividers or set with default voltage by connecting

FB2 pin to VOUT2 node and FB3 pin to VOUT3 node. Output voltage of CH4 (LDO) can also be programmed by resistor divider or set with default voltage by floating FB4 pin.

Sleep mode function is available for both I²C interface and STANDBY pin. If I²C interface is applied, PGOOD and UV can be monitored individually.

Table 14. Detail of Power Rails

Resource Name	Type	Voltage Range	Current Rating
CH1	Buck Converter	0.7V to 1.3V, 10mV/step via I ² C or Programmable by REFIN Pin	4000mA
CH2	Buck Converter	Programmable by FB2 Pin	2000mA
CH3	Buck Converter	Programmable by FB3 Pin	2000mA
CH4	LDO	Programmable by FB4 Pin	300mA

Buck Converter

The RT5091A/B incorporates three high-efficiency synchronous switching buck converters that deliver programmable output voltages. They feature constant-on-time current mode for low output voltage, quick transient response, and low quiescent current. These buck converters also possess all standard protections.

Each switching regulator is specially designed for high-efficiency operation throughout the load range. With high switching frequency (2MHz), the external LC filter can be small and keeps very low output voltage ripple.

Additional features include soft-start, discharged, under-voltage protection, over-voltage protection, and over-current limiter. Please note that the PMIC will be latched when any power rail occurs under-voltage protection. The other protections just make the rail output voltage drop and recovery when the faults are reset. With I²C interface, system is allowed to control the wake up sequences, set rails' on/off states, switch to forced PWM mode/pulse-skipping mode (PSKIP), enter/leave sleep mode, and even directly program CH1 output voltage. Please check the register table for details.

Buck Output Voltage Setting

The RT5091A/B provides three synchronous Buck regulators. CH1 buck converter features programmable output voltage by REFIN pin or 0.7V to 1.3V in 10mV/step via I²C. If program CH1 output voltage by REFIN pin, the output voltage can be set by the following equation :

$$V_{CH1} = V_{REFIN} \times 1.6$$

And the V_{REFIN} is setting by the reference resistors; R_{REFOUT}, R_{REFADJ} and R_{REFIN} (see Figure 1).

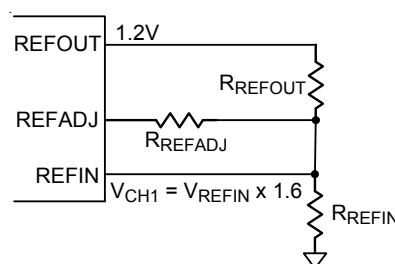


Figure 1. Setting REFIN Voltage with Reference Resistor Divider

When STANDBY = 1, V_{REFIN} would equal to the equation below, where V_{REFOUT} = 1.2V :

$$V_{REFIN} = V_{REFOUT} \times \frac{R_{REFIN}}{R_{REFIN} + R_{REFOUT}}$$

When $\overline{\text{STANDBY}}$ goes low, which also means PMIC is entering sleep mode, V_{REFIN} would become following equation :

$$V_{\text{REFIN}} = V_{\text{REFOUT}} \times \frac{R_{\text{REFIN}} // R_{\text{REFADJ}}}{(R_{\text{REFIN}} // R_{\text{REFADJ}}) + R_{\text{REFOUT}}}$$

Note that, if wants to keep V_{REFIN} in sleep mode, ties REFADJ pin to GND and removes R_{REFADJ} .

If wants to program CH1 output voltage via I²C, PMIC would need default output voltage setting for CH1 buck converter during power-up sequence. Thus following table has four sets of default output voltages for CH1 buck converter.

Table 15. CH1 Buck Converter V_{OUT} Default Setting

REFOUT	REFADJ	REFIN	CH1 V_{OUT}
VIN	GND	GND	0.9V
VIN	GND	VIN	1.1V
VIN	VIN	GND	1.2V
VIN	VIN	VIN	1.0V

Other buck converters, CH2 and CH3, feature programmable output voltages through resistor divider. Output voltages can be adjusted by setting the feedback resistors, R_{FB1} and R_{FB2} , see as Figure 2.

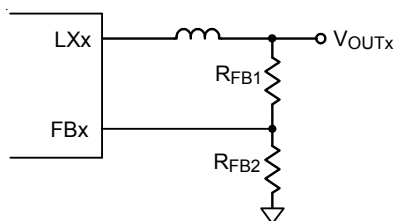


Figure 2. Setting CH2 and CH3 Voltage with Resistor Divider

And the relative equation is shown below, where V_{FB} is 0.8V typically :

$$V_{\text{OUT}} = V_{\text{FB}} \times \frac{R_{\text{FB1}} + R_{\text{FB2}}}{R_{\text{FB2}}}$$

And please note that equivalent reactance from FB to GND, such as R_{FB1} parallels to R_{FB2} , must NOT be less than 20k Ω for the application with external FB resistors.

Directly connect FB2 to CH2 output node to have a default output voltage 1.35V for RT5091A or 1.2V for RT5091B; FB3 to CH3 output node to have a default output voltage 1.8V.

Buck Over-Current Limiter

The over-current limit is implemented by using a cycle-by-cycle "valley" current detected control circuit, see as Figure 3. The switching current is monitored by measuring the low-side voltage between the LX pin and GND. The voltage is proportional to the switching current and the on-resistance of the low-side MOSFET.

When high-side MOSFET turn-on (t_{ON}), the high-side switching current increases at a linear rate and determines by V_{IN} , V_{OUT} , t_{ON} and inductance. And when low-side MOSFET turn-on (t_{OFF}), the low-side switching current decreases linearly. The average value of the switching current is the output current loading. If the sensing voltage of the low-side MOSFET is above the voltage of current limiter threshold, the converter would keep the low-side turn on until the sensing voltage falls below the voltage of current limiter threshold and then starts a new switching cycle.

For the RT5091A/B buck converters, the low-side MOSFET are embedded and current limit threshold has defined in electrical characteristics.

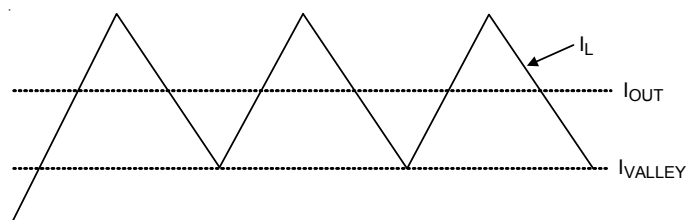


Figure 3. Cycle-By-Cycle "valley" Current Detected Control

Buck Under-Voltage Protection

If over-current limiter is activated, output voltage would drop and trigger under-voltage protection when it drops lower than 62.5% of reference voltage. In case of UVP mis-triggering, a de-glitch time is implemented. PMIC will turn off all power rails as long as any UVP is occurred and also pull low PGOOD pin. Note that UVP is a latched function in the RT5091A/B, thus can only be reset by starting over VIN POR.

Buck Over-Voltage Protection

If output voltage exceeds 125% of reference voltage, over-voltage protection would be triggered. In case of OVP mis-

triggering, a de-glitch time is implemented. PMIC will keep functional but pulling low PGOOD pin. The power rail which is under OVP will turn off its drivers until OVP indicator is released. PGOOD pin will back to high after all OVP indicators are released.

Over-Temperature Protection

The over-temperature protection function of the RT5091A/B is built inside the PMIC to prevent overheat damage. If the die temperature is over 150°C, the OTP circuit would be activated and turn off all power rails of the RT5091A/B. PMIC will re-boot all power rails with power-up sequence after temperature cools down lower than 125°C.

Linear Dropout Regulator

The RT5091A/B includes one high performance linear dropout regulator. The LDO has soft-start function. An internal current source charges an internal capacitor to make the soft-start ramp voltage. During the power up procedure, the output voltage tracks the internal voltage ramp for inrush current control.

If VIN UVLO occurs, or the output under-voltage fault latch is set, then the output discharge mode will be activated. During the discharge mode, an internal switch creates a path for discharging the output capacitors' residual charge to GND.

The LDO contains an independent current limiter and under-voltage protection circuit to prevent unexpected applications. The current limit circuit monitors the current from input to output by a current sensing circuit and controls the gate voltage of power stage. When the current is over the current limit threshold, the current limit circuit adjusts the gate voltage to constrain the output current. And if the output voltage is less than 60% of reference voltage, UVP circuit will shut down the LDO and latched. Note that this latched protection can only be reset by starting over VIN POR. The LDO feature programmable output voltage through resistor divider. Output voltages can be adjusted by setting the feedback resistors, R_{FB3} and R_{FB4}, see as Figure 4.

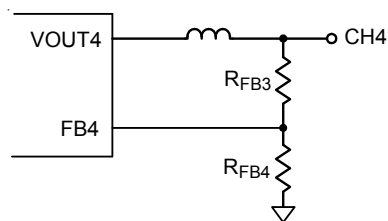


Figure 4. Setting LDO Voltage with Resistor Divider

And the relative equation is shown below, where V_{FB} is 0.825V for RT5091A or 0.45V for RT5091B typically :

$$V_{OUT4} = V_{FB} \times \frac{R_{FB3} + R_{FB4}}{R_{FB4}}$$

Besides, the equivalent resistance from FB to GND must be less than 400kΩ for the application with external FB resistors.

Directly open VOUT4 to CH4 output node to have a default output voltage 3.3V for RT5091A or 1.8V for RT5091B.

VSNS Discharge

When EXT_EN1 is disabled either through the sequence or through an I²C command, it activated the discharge resistor is placed between the VSNS and ground. Which means if system wants to discharge external regulator/switch through VSNS by EXT_EN1, must connect VSNS to the output of external regulation/switch.

Input OVP Deglitching

In order to prevent input OV is triggered by noise coupling, the RT5091A/B builds internal deglitching circuit to prevent unexpected triggering of VIN OVP.

If VIN is higher than VIN OVP threshold, where VIN OVP threshold level is selected by MODE pin, PMIC would turn off all power rails and external N-MOSFET to protect PMIC from being damaged by input over voltage.

MODE

MODE is an input pin to select the threshold voltage of VIN for POR. If VIN voltage is above the threshold voltage, PMIC will begin to start up with power-up sequence. Set MODE = high for 5V VIN applications and MODE = low for 3.3V VIN applications.

RST_L

RST_L is an output pin to inform the system that the V_{IN} , V_{SYS} , and V_{GATE} are ready. Since GATE control circuit implemented an inrush current control function inside PMIC, which sources a small current around $0.875\mu A$ from GATE pin, thus RST_L won't immediately pull high when V_{SYS} is higher than V_{RSTTH_H} until V_{GATE} is high enough.

During power-on sequence, if $V_{IN} < 2.3V$, RST_L is floating inside PMIC, thus it is pulled high to open-drain power

source. When $V_{IN} > 2.3V$, RST_L becomes open-drain. As for the power-off sequence, RST_L is back to floating state and pulled high to open-drain power source in this condition when $V_{IN} < 2.2V$.

I²C Interface

The RT5091A/B I²C slave address = 0x1b (hex). I²C interface supports standard slave mode (100kbps), and fast mode (400kbps). The write or read bit stream ($N \geq 1$) is shown as Figure 5.

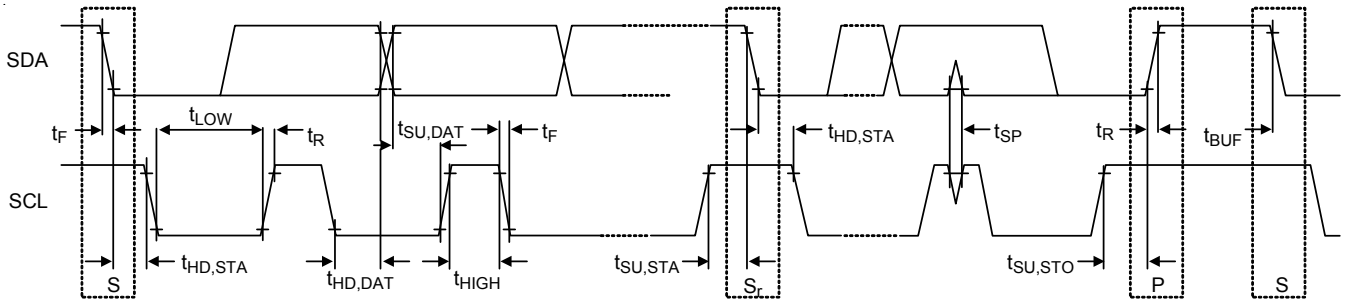
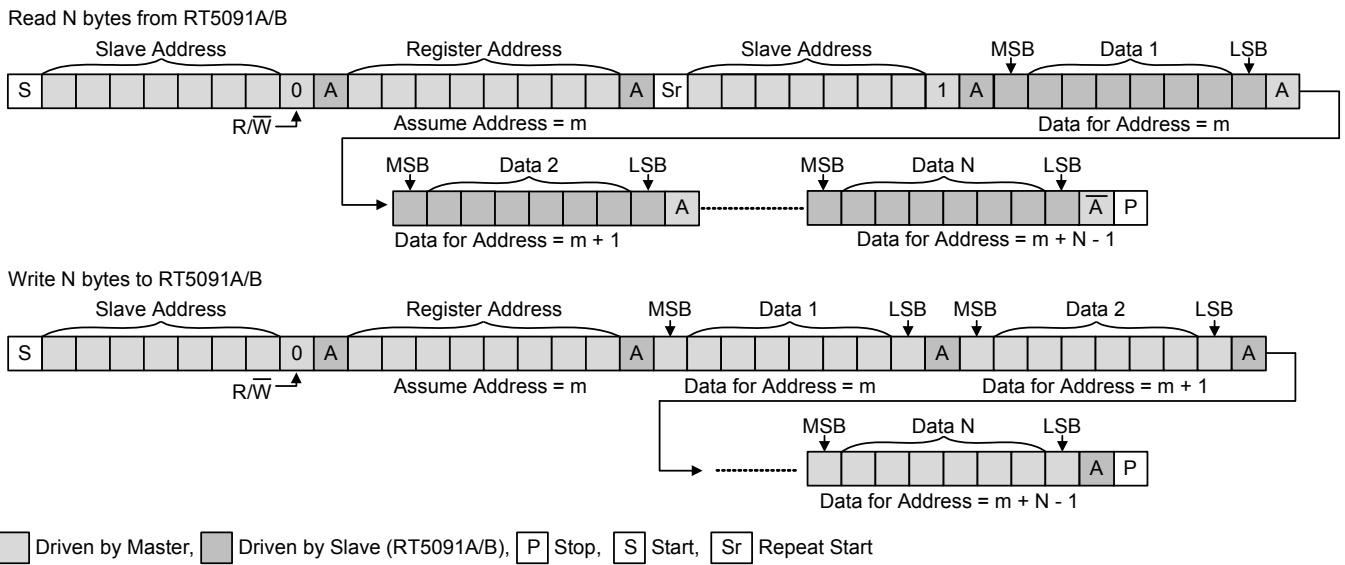


Figure 5. I²C Read and Write Stream and Timing Diagram

Inductor Selection

For given input voltage (V_{IN}), output voltage (V_{OUT}), and operation frequency (f_{SW}), the inductor value (L) determines the inductor ripple current (ΔI_L) as shown in equation below :

$$\Delta I_L = \frac{V_{OUT} \times (V_{IN} - V_{OUT})}{f_{SW} \times L \times V_{IN}}$$

Having a lower ripple current reduces not only the ESR losses in the output capacitors, but also the output voltage ripple.

A reasonable starting point for selecting the ripple current is $\Delta I_L = 0.3 \times I_{MAX}$ to $0.4 \times I_{MAX}$. The largest ripple current occurs at the highest V_{IN} . To guarantee that the ripple current stays below a specified maximum, the inductor value should be chosen according to the following equation :

$$L = \frac{V_{OUT} \times (V_{IN(MAX)} - V_{OUT})}{f_{SW} \times \Delta I_L \times V_{IN(MAX)}}$$

The current rating of the inductor must be large enough and will not saturate at the peak inductor current (I_{PEAK}) :

$$I_{PEAK} = I_{OUT(MAX)} + \frac{\Delta I_L}{2}$$

C_{IN} and C_{SYS} Selection

The input capacitance of every rail, C_{IN} , needs to filter the trapezoidal current at the source of the high-side MOSFET. To prevent large ripple voltage, a low ESR input capacitor for the maximum current should be used. The relation between C_{IN} ripple voltage and current ripple is shown as the Figure 6.

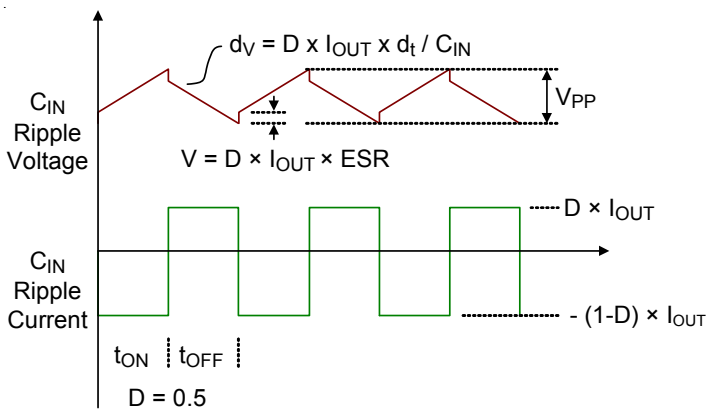


Figure 6. Relationship of C_{IN} Voltage Ripple and Current Ripple

The C_{IN} voltage ripple can use below equations to determine when f_{SW} works at CCM mode.

$$V_{CIN_PP} = D \times I_{OUT(MAX)} \times (ESR + \frac{(1-D)}{C_{IN} \times f_{SW}})$$

Where $D = V_{OUT} / V_{IN}$. If use MLCC as the input current, the ESR is almost equal to zero. And the minimum input capacitance requirement could be estimate as below :

$$C_{IN(MIN)} = I_{OUT(MAX)} \times \frac{D \times (1-D)}{V_{CIN_PP} \times f_{SW}}$$

Next, it needs to consider the input bulk capacitance, C_{SYS} , to ensure a stable input voltage during large load transient. The input host supply cannot typically provide the enough input current for the converter to respond to a fast transient current. The input bulk capacitor will provide the energy necessary to source current until the host supply fill the demand, as shown as Figure 7.

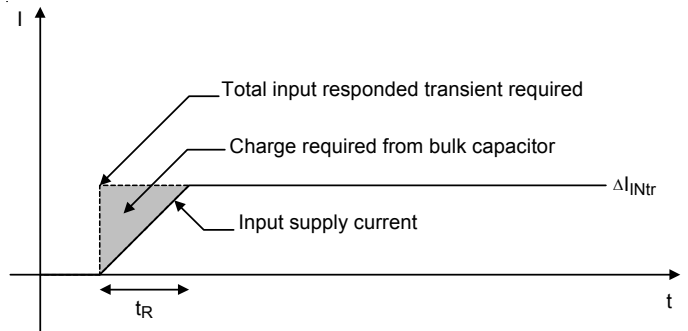


Figure 7. Charge Required from Input Bulk Capacitor During Transient

Figure 8 shows the diagram of every power rail of the RT5091A/B sharing a single bank of bulk input capacitors. It can calculate the input required transient current using following equation :

$$\Delta I_{INTRL} = \sum_{n=1}^6 \frac{V_{OUTn} \times \Delta I_{OUTn(MAX)}}{V_{IN} \times \eta_n}$$

Where ΔI_{INTR} is the total input transient current required. ΔI_{OUT} is the maximum output transient current. η is the efficiency of the Buck at $I_{OUT(MAX)}$.

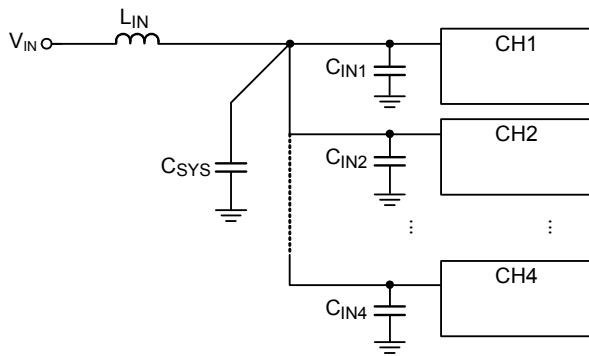


Figure 8. The Location of Bulk Input Capacitance Diagram

When ΔI_{INtr} is confirmed, the input bulk capacitance, C_{SYS} , can be decided with following estimating equation :

$$C_{SYS(MIN)} \cong \frac{1.21 \times \Delta I_{INtr}^2 \times L_{IN}}{\Delta V_{INPP(MAX)}^2}$$

where $\Delta V_{INPP(MAX)}$ is the maximum ac voltage allowable. L_{IN} is the input series filter inductance, if not used, put a reasonable value 50nH due to PCB layout.

C_{OUT} selection

The output capacitor and the inductor are used form a low pass filter in the buck topology. In steady state condition, the ripple current flowing into/out of the capacitor results in ripple voltage. The output voltage ripple (ΔV_{OUTPP}) can be calculated by the following equation :

$$\Delta V_{OUTPP} = \Delta I_L \left(ESR + \frac{1}{8 \times C_{OUT} \times f_{SW}} \right)$$

When load transient occurs, the output capacitor supplies the load current before the controller can respond. Therefore, the ESR will dominate the output voltage sag during load transient. The output voltage under-shoot (V_{SAG}) can be calculated by the following equation :

$$V_{SAG} = \Delta I_{LOAD} \times ESR$$

For a given output voltage sag specification, the ESR value can be determined.

Another parameter that has influence on the output voltage sag is the equivalent series inductance (ESL). The rapid change in load current results in di/dt during transient. Therefore, the ESL contributes to part of the voltage sag. Using a capacitor with low ESL can obtain better transient performance. Generally, using several capacitors connected in parallel can have better transient performance

than using a single capacitor for the same total ESR.

Unlike the electrolytic capacitor, the ceramic capacitor has relatively low ESR and can reduce the voltage deviation during load transient. However, the ceramic capacitor can only provide low capacitance value.

Therefore, use a mixed combination of electrolytic capacitor and ceramic capacitor to obtain better transient performance.

Serial Data Transfer Format in Hs-Mode

Serial data transfer format in Hs-mode meets the Standard-mode I²C-bus specification. Hs-mode can only commence after the following conditions (all of which are in F/S-mode) :

- START condition (S)
- 8-bit master code (00001xxx)
- not-acknowledge bit (A#)

Figures 8 and Figure 10 show this in more detail. This master code has two main functions :

- It allows arbitration and synchronization between competing masters at F/S-mode speeds, resulting in one winning master.
- It indicates the beginning of an Hs-mode transfer.

Hs-mode master codes are reserved 8-bit codes, which are not used for slave addressing or other purposes.

Furthermore, as each master has its own unique master code, up to eight Hs-mode masters can be present on the one I²C-bus system (although master code 0000 1000 should be reserved for test and diagnostic purposes). The master code for an Hs-mode master device is software programmable and is chosen by the System Designer.

Arbitration and clock synchronization only take place during the transmission of the master code and not-acknowledge bit (A#), after which one winning master remains active. The master code indicates to other devices that an Hs-mode transfer is to begin and the connected devices must meet the Hs-mode specification. As no device is allowed to acknowledge the master code, the master code is followed by a not-acknowledge (A#).

After the not-acknowledge bit (A#), and the SCLH line has been pulled-up to a HIGH level, the active master switches to Hs-mode and enables (at time t_H , see Figure

10) the current-source pull-up circuit for the SCLH signal. As other devices can delay the serial transfer before t_H by stretching the LOW period of the SCLH signal, the active master will enable its current-source pull-up circuit when all devices have released the SCLH line and the SCLH signal has reached a HIGH level, thus speeding up the last part of the rise time of the SCLH signal.

The active master then sends a repeated START condition (Sr) followed by a 7-bit slave address (or 10-bit slave address) with an R/W bit address, and receives an acknowledge bit (A#) from the selected slave.

After a repeated START condition and after each acknowledge bit (A#) or not-acknowledge bit (A#), the active

master disables its current-source pull-up circuit. This enables other devices to delay the serial transfer by stretching the LOW period of the SCLH signal. The active master re-enables its current-source pull-up circuit again.

When all devices have released and the SCLH signal reaches a HIGH level, and so speeds up the last part of the SCLH signal's rise time. Data transfer continues in Hs-mode after the next repeated START (Sr), and only switches back to F/S-mode after a STOP condition (P). To reduce the overhead of the master code, it's possible that a master links a number of Hs-mode transfers, separated by repeated START conditions (Sr).

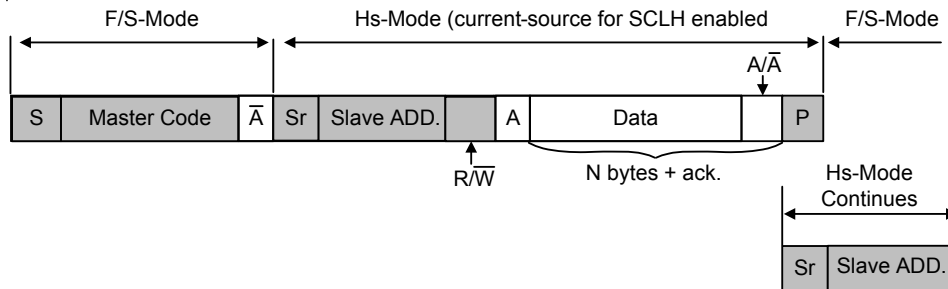


Figure 9. Data Transfer Format in Hs-Mode

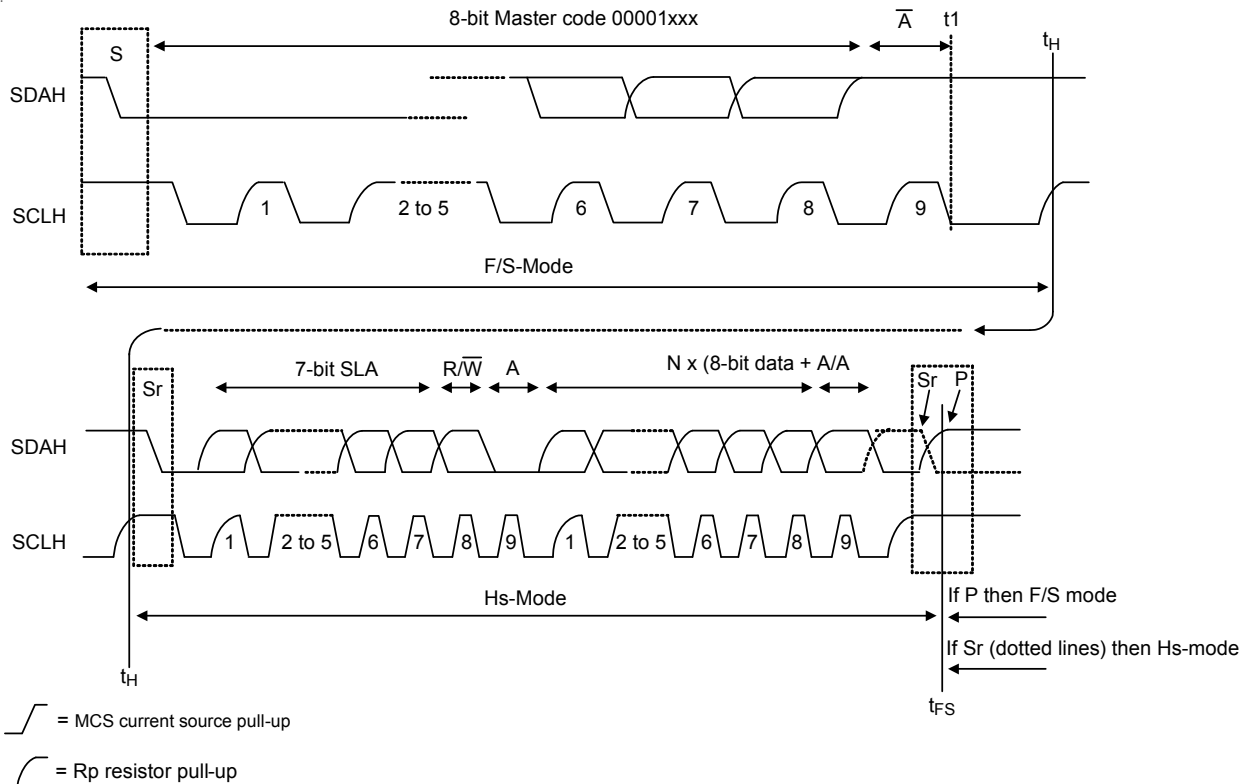


Figure 10. A Complete Hs-Mode Transfer

Power On/Off Sequence

The RT5091A/B starts a power up sequence when VSYS > RESET rising threshold voltage, and the device shuts down with VIN < UVLO falling threshold voltage. The RT5091A/B applies sleep mode of PMIC to save power consumption with setting the `STANDBY` to 0. If the device goes to sleep mode, power rails set to sleep mode and the alive rails depend on sleep mode control register setting. The power rails will exit from sleep mode to normal mode and wake up with a sequence as the same as the power-up-sequence when `STANDBY` = 1. Please note that when PMIC starts a power up sequence, sleep mode operation would not work until 5ms later. The relations of all power rails of the RT5091A/B and sleep off / wake up sequence are shown as Figure 12.

Thermal Considerations

The junction temperature should never exceed the absolute maximum junction temperature $T_{J(MAX)}$, listed under Absolute Maximum Ratings, to avoid permanent damage to the device. The maximum allowable power dissipation depends on the thermal resistance of the IC package, the PCB layout, the rate of surrounding airflow, and the difference between the junction and ambient temperatures. The maximum power dissipation can be calculated using the following formula :

$$P_{D(MAX)} = (T_{J(MAX)} - T_A) / \theta_{JA}$$

where $T_{J(MAX)}$ is the maximum junction temperature, T_A is the ambient temperature, and θ_{JA} is the junction-to-ambient thermal resistance.

For continuous operation, the maximum operating junction temperature indicated under Recommended Operating Conditions is 125°C. The junction-to-ambient thermal resistance, θ_{JA} , is highly package dependent. For a WQFN-32L 4x4 package, the thermal resistance, θ_{JA} , is 27.8°C/W on a standard JEDEC 51-7 high effective-thermal-conductivity four-layer test board. The maximum power dissipation at $T_A = 25^\circ\text{C}$ can be calculated as below :

$$P_{D(MAX)} = (125^\circ\text{C} - 25^\circ\text{C}) / (27.8^\circ\text{C/W}) = 3.59\text{W for a WQFN-32L 4x4 package.}$$

The maximum power dissipation depends on the operating ambient temperature for the fixed $T_{J(MAX)}$ and the thermal

resistance, θ_{JA} . The derating curves in Figure 11 allows the designer to see the effect of rising ambient temperature on the maximum power dissipation.

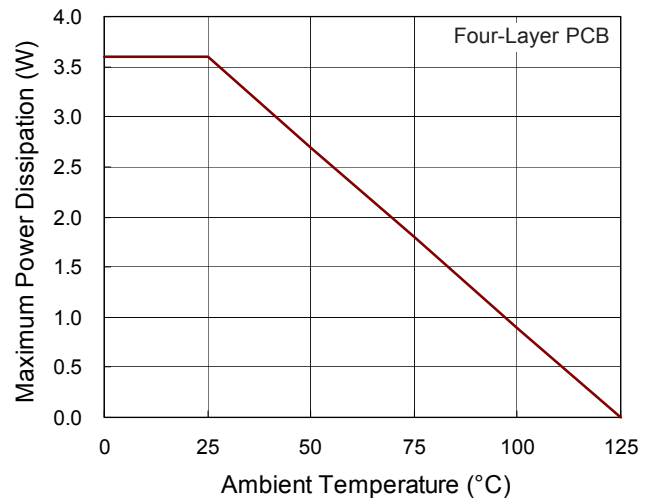


Figure 11. Derating Curve of Maximum Power Dissipation

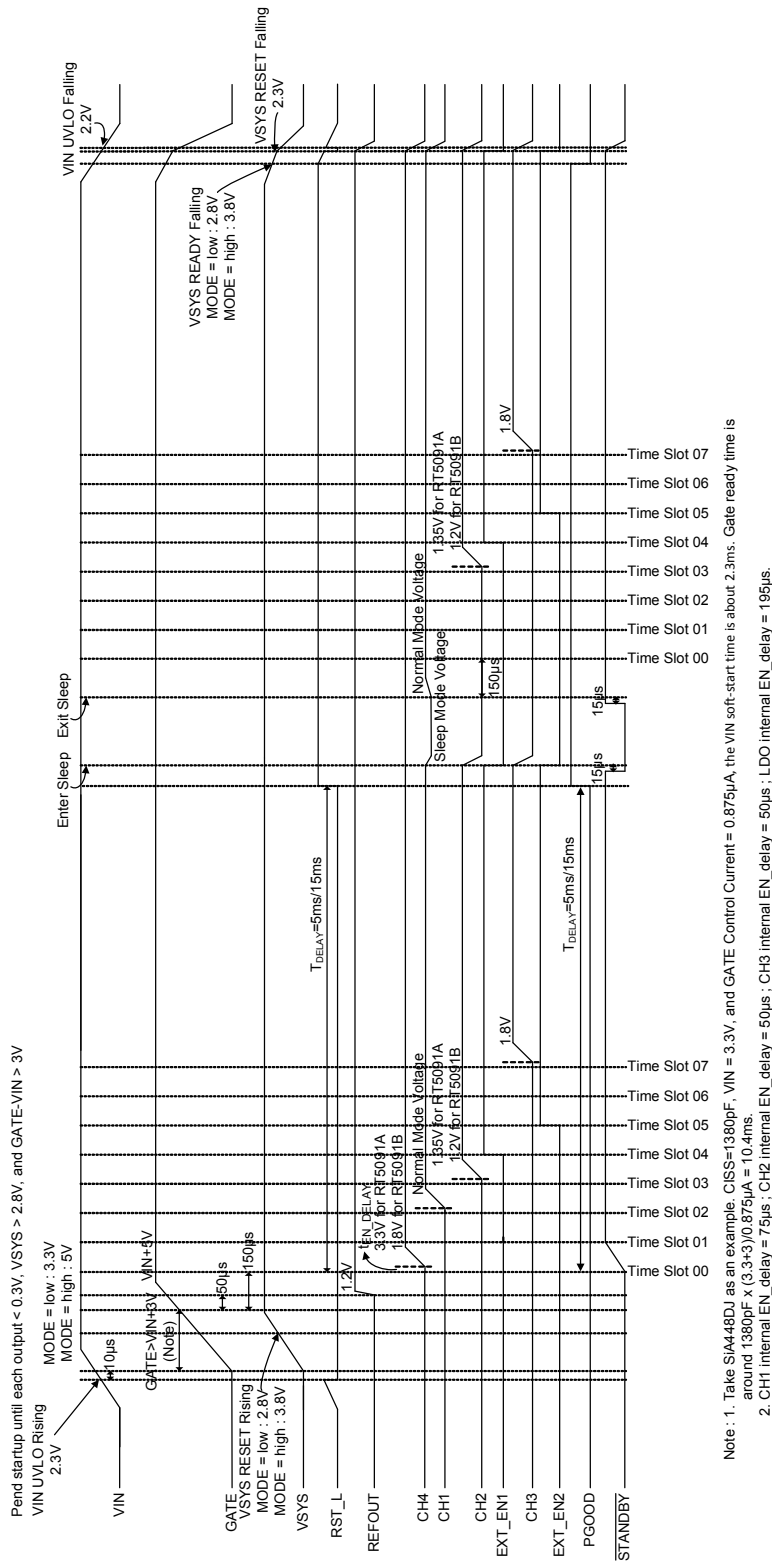
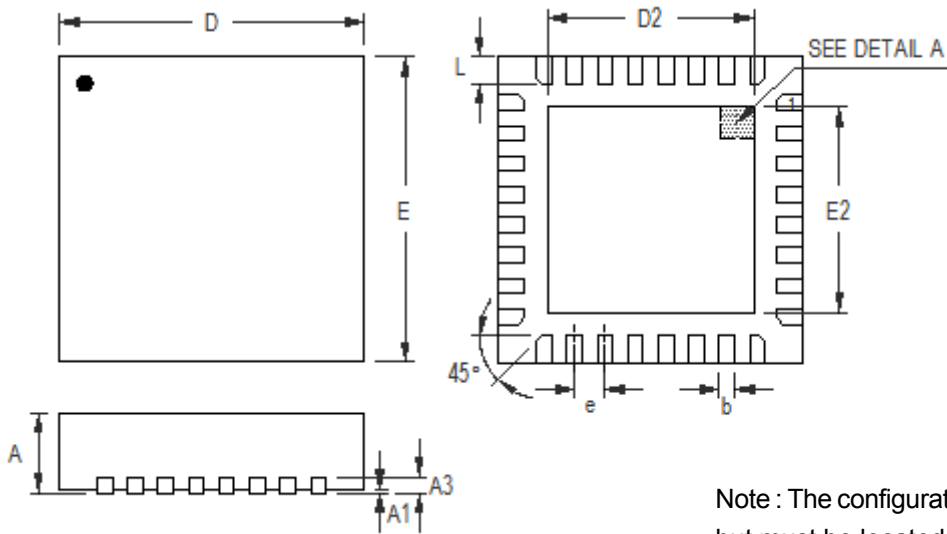


Figure 12. Power Up/Off Sequence and Sleep Off/Wake Up Sequence

Outline Dimension



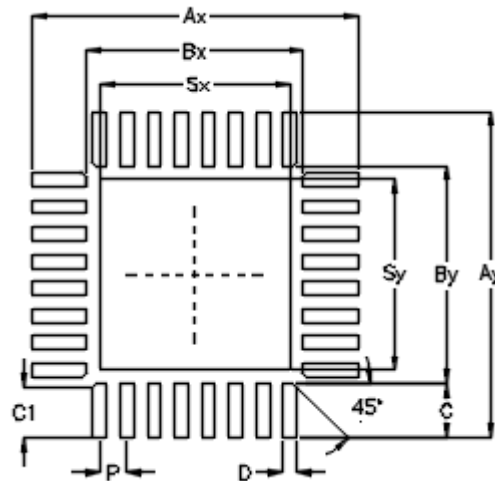
Pin #1 ID and Tie Bar Mark Options

Note : The configuration of the Pin #1 identifier is optional, but must be located within the zone indicated.

Symbol	Dimensions In Millimeters		Dimensions In Inches	
	Min	Max	Min	Max
A	0.700	0.800	0.028	0.031
A1	0.000	0.050	0.000	0.002
A3	0.175	0.250	0.007	0.010
b	0.150	0.250	0.006	0.010
D	3.900	4.100	0.154	0.161
D2	2.650	2.750	0.104	0.108
E	3.900	4.100	0.154	0.161
E2	2.650	2.750	0.104	0.108
e	0.400		0.016	
L	0.300	0.400	0.012	0.016

W-Type 32L QFN 4x4 Package

Footprint Information



Package	Number of Pin	Footprint Dimension (mm)										Tolerance
		P	Ax	Ay	Bx	By	C*32	C1*8	D	Sx	Sy	
V/W/U/XQFN4*4-32	32	0.40	4.80	4.80	3.20	3.20	0.80	0.75	0.20	2.80	2.80	±0.05

Richtek Technology Corporation

14F, No. 8, Tai Yuen 1st Street, Chupei City
 Hsinchu, Taiwan, R.O.C.
 Tel: (8863)5526789

Richtek products are sold by description only. Customers should obtain the latest relevant information and data sheets before placing orders and should verify that such information is current and complete. Richtek cannot assume responsibility for use of any circuitry other than circuitry entirely embodied in a Richtek product. Information furnished by Richtek is believed to be accurate and reliable. However, no responsibility is assumed by Richtek or its subsidiaries for its use; nor for any infringements of patents or other rights of third parties which may result from its use. No license is granted by implication or otherwise under any patent or patent rights of Richtek or its subsidiaries.