

10V to 80V Hotswap Controller with Accurate Monitoring and PMBus Interface

1 General Description

The RTQ1950/RTQ1950A provides enterprise-level protection and high-performance monitoring for 10V to 80V systems,

such as 48/54V datacenter network equipment. Sub- μ s response to short-circuit faults, high-resolution current limit programmability, and remote temperature sensing with adjustable warning/shutdown thresholds allow the RTQ1950/RTQ1950A to protect and monitor the most critical systems. Programmable MOSFET SOA protection accurately controls maximum MOSFET power dissipation while MOSFET health warning and detection algorithms monitor the MOSFET even when fully enhanced. An adjustable fault timer avoids false trips and limits the duration of overload events.

For monitoring, the RTQ1950/RTQ1950A measures real-time power, voltage, current, temperature and fault data, and transmits this information via an I²C/SMBus interface with PMBus compliant command structure. Precision telemetry enables intelligent power management functions (e.g. Intel PROCHOT output), power optimization and early fault detection. The RTQ1950/RTQ1950A also improves system diagnostics with adjustable telemetry averaging and peak power measurement.

The RTQ1950/RTQ1950A is pin-to-pin compatible with similar products in the market (TSSOP-28 (Exposed Pad) package), offering many improvements and advantages. The recommended junction temperature range is -40°C to 125°C .

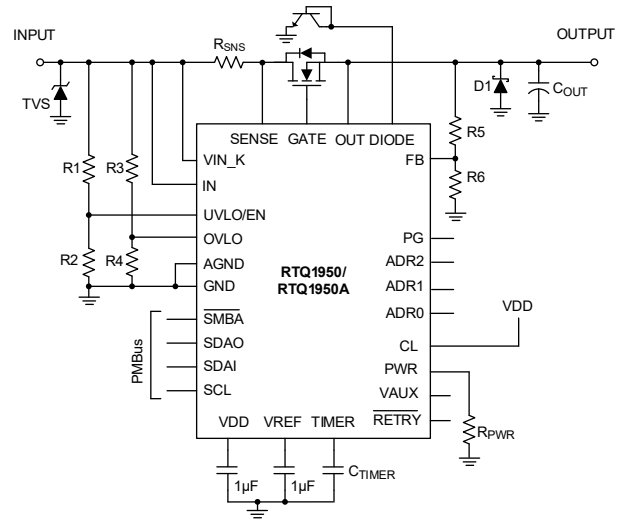
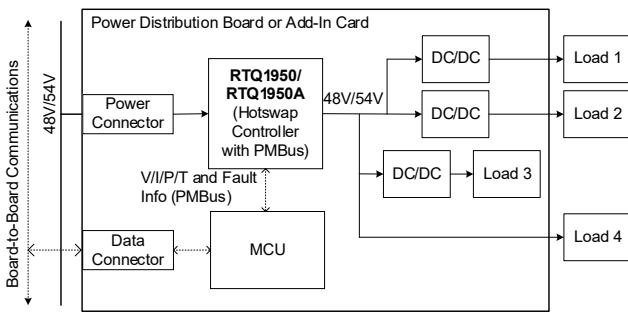
2 Features

- **VIN: 10V to 80V (100V AMR)**
- **VIN to VIN_K: $\pm 60\text{V}$ AMR**
- **OUT: -5V to 100V AMR**
- **12-Bit 1 kHz ADC Telemetry (-40°C to 125°C)**
 - **$\pm 0.8\%$ Voltage Accuracy**
 - **$\pm 1\%$ Current Accuracy**
 - **$\pm 1.8\%$ Power Accuracy (Energy Monitoring Supported)**
- **10 to 55mV Current Limit Sense Voltage in 1mV Increments**
- **Programmable MOSFET SOA Protection**
 - **Fast 500ns Response to Short-Circuit**
 - **Accurate Control**
- **MOSFET Health Warning/Detection**
- **Remote Temperature Sensing with Adjustable Warning/Shutdown Thresholds**
- **PROCHOT Output (VAUX)**
- **Programable UV, OV Thresholds**
- **PMBus Compliant Command Structure**
- **$-40^{\circ}\text{C} < T_J < 125^{\circ}\text{C}$ Operation**
- **Available in TSSOP-28 9.7 \times 4.4 mm²**

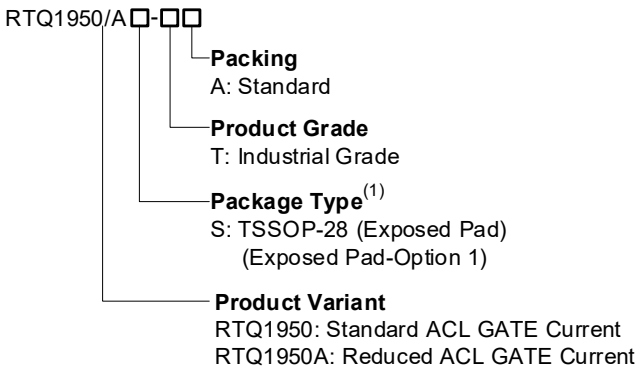
3 Applications

- 48V/54V Servers and Network Equipment
- Datacenter Rack Power Distribution
- Base Station Power Distribution
- PLC Power Management
- Industrial Systems

4 Simplified Application Circuit



5 Ordering Information

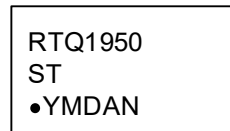


Note 1.

Richtek products are Richtek Green Policy compliant and marked with ⁽¹⁾ indicates compatible with the current requirements of IPC/JEDEC J-STD-020.

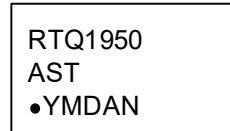
6 Marking Information

RTQ150S-TA



RTQ1950ST: Product Code
YMDAN: Date Code

RTQ1950AS-TA



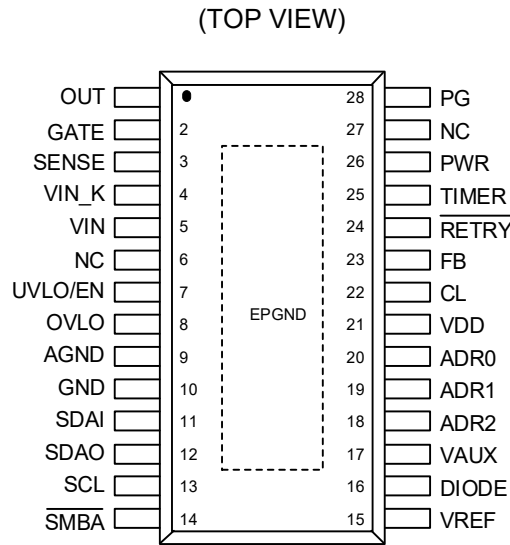
RTQ1950AST: Product Code
YMDAN: Date Code

Part Number	GATE Pin Behavior
RTQ150S-TA	Standard ACL GATE sinking current (refer to EC table)
RTQ1950AS-TA	Reduced ACL GATE sinking current (refer to EC table)

Table of Contents

1	General Description -----	1	17.9	Power Good Pin	24
2	Features -----	1	17.10	VDD and VREF Sub-Regulators	24
3	Applications -----	1	17.11	Remote Temperature Sensing	25
4	Simplified Application Circuit -----	2	17.12	MOSFET Health Monitoring	25
5	Ordering Information -----	2	17.13	Power-Limit Power-Up Sequence	26
6	Marking Information -----	2	17.14	Slew Rate Limited Power-Up Sequence	27
7	Pin Configuration -----	4	17.15	Gate Control	28
8	Functional Pin Description -----	4	17.16	Fault Timer	28
9	Functional Block Diagram -----	6	17.17	PROCHOT Output	28
10	Absolute Maximum Ratings -----	7	17.18	Restart and Cooldown Time	28
11	ESD Ratings -----	7	17.19	Power Cycle	30
12	Recommended Operating Conditions -----	7	17.20	Enable/Disable, Shutdown and Reset Control	31
13	Thermal Characteristics -----	8	18	Functional Register Description -----	32
14	Electrical Characteristics -----	8	18.1	PMBus Commands Overview	32
14.1	SMBus Communications Timing Requirements and Definitions	14	18.2	Data Format for Reading and Writing Telemetry and Fault/Warning Thresholds	35
14.2	Switching Characteristics	15	18.3	PMBus Address Lines (ADR0, ADR1, and ADR2)	36
15	Typical Characteristics Curves -----	16	18.4	PMBus Command Descriptions	37
16	Typical Application Circuit -----	18	19	Outline Dimension -----	60
17	Application Information -----	19	20	Footprint Information -----	61
17.1	Overview	19	21	Packing Information -----	62
17.2	Input Voltage and Filtering	19	21.1	Tape and Reel Data	62
17.3	Current Sense Inputs	19	21.2	Tape and Reel Packing	63
17.4	Current Limit	20	21.3	Packing Material Anti-ESD Property	64
17.5	Power Limit	20	22	Datasheet Revision History -----	65
17.6	Circuit Breaker	21			
17.7	Undervoltage-Lockout (UVLO)	22			
17.8	Overvoltage-Lockout (OVLO)	22			

7 Pin Configuration



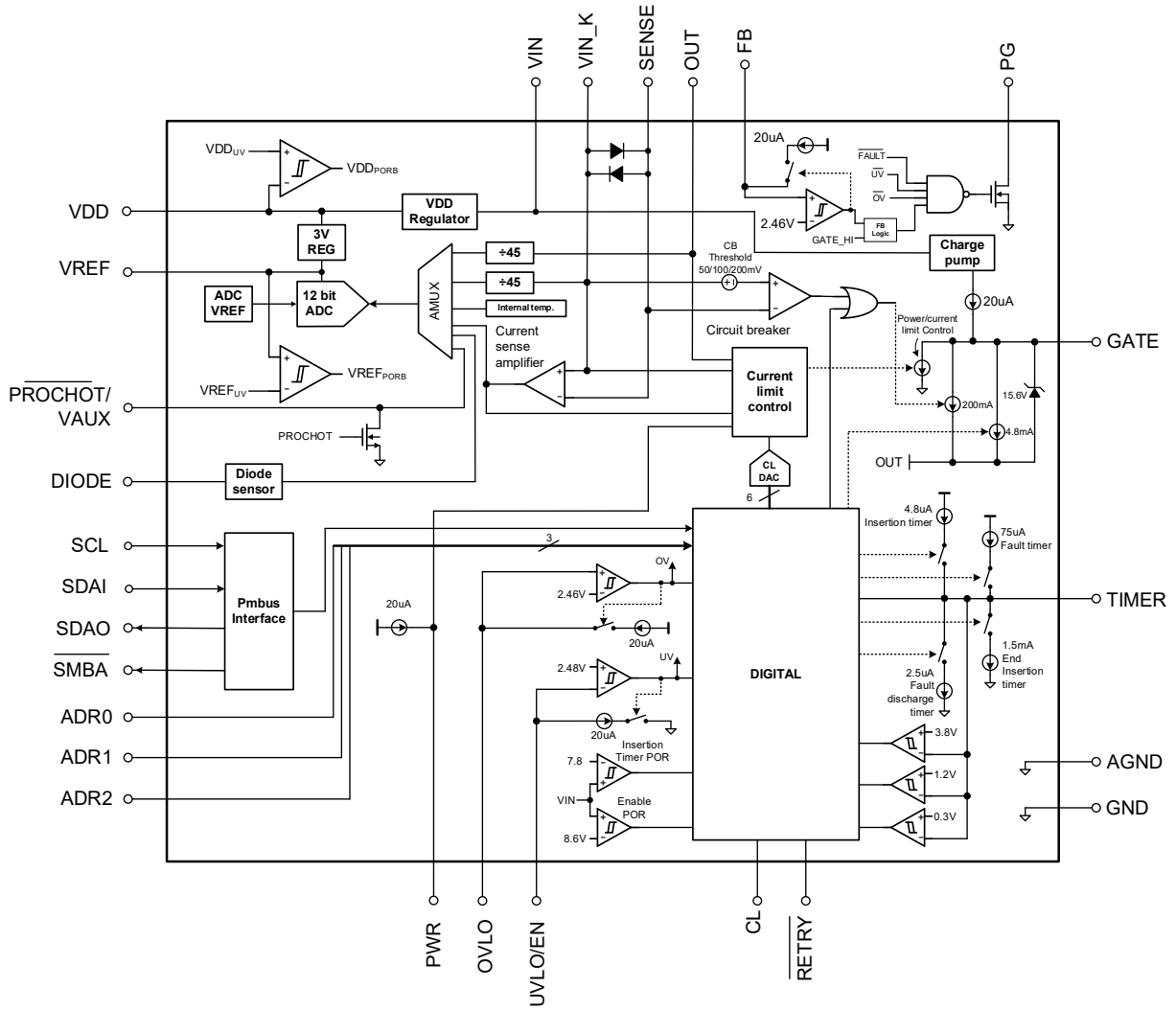
TSSOP-28 (Exposed Pad)

8 Functional Pin Description

Pin No.	Pin Name	Pin Function
1	OUT	Output pin. Connect to the power output node. This pin monitors the output voltage and senses the MOSFET VDS voltage for power limiting.
2	GATE	Gate drive output pin. Connect to the external MOSFET gate.
3	SENSE	Current sense input pin. In conjunction with VIN_K, this pin measures the voltage across the current sense resistor (RSNS). If the voltage across RSNS exceeds the overcurrent threshold, the load current is limited, and the fault timer activates.
4	VIN_K	Positive supply Kelvin pin. This pin senses the input voltage as well as the current sense voltage (in conjunction with SENSE).
5	VIN	Input power supply. This pin supplies power for the device, including the internal VDD regulator. An RC filter can help reduce noise on this pin (see Section 17.2).
6, 27	NC	No connection.
7	UVLO/EN	Undervoltage-lockout/enable pin. A resistor divider from VIN can set a precision undervoltage-lockout threshold. The pin enable threshold voltage is 2.48V. An internal 20μA current sink provides UVLO hysteresis. This pin can also be used for remote shutdown control.
8	OVLO	Overvoltage lockout pin. A resistor divider from VIN can set a precision overvoltage lockout threshold. The pin disable threshold voltage is 2.46V. An internal 20μA current source provides OVLO hysteresis.
9	AGND	Analog device ground. Connect to GND at the pin.
10	GND	Device ground.
11	SDAI	SMBus Data Input pin. Connect to SDAO if the application does not need unidirectional isolation.
12	SDAO	SMBus Data Output pin. Connect to SDAI if the application does not need unidirectional isolation.
13	SCL	SMBus Clock pin.
14	SMBA/FLT	SMBus alert pin. Active low or FLT# open drain output.

Pin No.	Pin Name	Pin Function
15	VREF	Internal sub-regulator output pin. This internally sub-regulated 3V bias supply requires an external 1 μ F capacitor to ground for bypassing.
16	DIODE	External temperature diode pin. Connect this pin to a diode-configured MMBT3904 NPN transistor for temperature monitoring.
17	VAUX	Auxiliary voltage input pin. The internal telemetry system can measure the voltage on this pin from an external source with a full-scale input of 2.97V. This pin can be set as $\overline{\text{PROCHOT}}$ using PMBus.
18	ADR2	SMBus address line 2. Tri-state address line. Should be connected to GND, VDD, or left floating.
19	ADR1	SMBus address line 1. Tri-state address line. Should be connected to GND, VDD, or left floating.
20	ADR0	SMBUS address line 0. Tri-state address line. Should be connected to GND, VDD, or left floating.
21	VDD	Internal sub-regulator output pin. This internally sub-regulated 4.9V bias supply requires an external 1 μ F capacitor to ground for bypassing.
22	CL	Current limit range pin. Connect this pin to GND or leave floating to set the nominal overcurrent threshold at 50 mV. Connecting CL to VDD sets the overcurrent threshold to be 26mV. Connecting CL to VREF sets the overcurrent threshold to be 15mV. The threshold can also be adjusted digitally.
23	FB	Power Good feedback pin. An external resistor divider from the output sets the PG output voltage level. The pin threshold is nominally 2.46V. An internal 20 μ A current source provides hysteresis.
24	$\overline{\text{RETRY}}$	Fault retry input pin. When this pin is connected to GND or left floating, the device will continually try to restore power after a fault. If the pin is connected to VDD, the device will latch off after a fault event. Connecting this pin to VREF will retry 8 times and then latch off.
25	TIMER	Timer capacitor pin. An external capacitor connected to this pin sets insertion time delay (power-on delay), fault timeout period, and restart timing.
26	PWR	Power limit set pin. An external resistor (RPWR) connected to this pin, in conjunction with the RSNS, sets the maximum power dissipation allowed in the external MOSFET.
28	PG	Power Good open-drain output pin. This output assumes a high-impedance state when the FB pin voltage exceeds the FB threshold (nominally 2.46V) and the input voltage is within its undervoltage and overvoltage thresholds, and GATE-OUT > 9V.
EPGND	Exposed Pad	Exposed pad of package. Must be soldered to a large ground plane for best thermal performance.

9 Functional Block Diagram



10 Absolute Maximum Ratings

[\(Note 2\)](#)

- VIN, VIN_K, GATE, UVLO/EN, SENSE, PG to GND ----- -0.3V to 100V
- VIN to VIN_K ----- -60V to 60V
- VIN_K to SENSE ----- -1V to 1V
- AGND to GND ----- -0.3V to 0.3V
- OVLO, FB, TIMER, PWR to GND ----- -0.3V to 7V
- OUT to GND ----- -5V to 100V
- SCL, SDAI, SDAO, CL, ADR0, ADR1, ADR2, VDD, VAUX, DIODE, RETRY to GND ----- -0.3V to 5.5V
- Junction Temperature, T_J ----- 150°C
- Storage Temperature Range ----- -65°C to 150°C

Note 2. Stresses beyond those listed under “Absolute Maximum Ratings” may cause permanent damage to the device. These are stress ratings only, and functional operation of the device at these or any other conditions beyond those indicated in the operational sections of the specifications is not implied. Exposure to absolute maximum rating conditions may affect device reliability. The GATE pin voltage is typically 13.6V above VIN when the RTQ1950/RTQ1950A is enabled. Therefore, the Absolute Maximum Rating for VIN applies only when the RTQ1950/RTQ1950A is disabled, or for a momentary surge to that voltage because the Absolute Maximum Rating for the GATE pin is also 100V.

11 ESD Ratings

[\(Note 3\)](#)

- ESD Susceptibility
 - HBM (Human Body Model)----- ±2KV
 - CDM (Charged Device Model) ----- ±500V

Note 3. Devices are ESD sensitive. Handling precautions are recommended.

12 Recommended Operating Conditions

[\(Note 4\)](#)

- Supply Input Voltage, VIN ----- 10V to 80V
- Junction Temperature Range, T_J----- -40°C to 125°C

Note 4. The device is not guaranteed to function outside its operating conditions.

13 Thermal Characteristics

([Note 5](#) and [Note 6](#))

Thermal Parameter		TSSOP-28 9.7×4.4	Unit
θ_{JA}	Junction-to-ambient thermal resistance	31.6	°C/W
$\theta_{JC(Top)}$	Junction-to-case (top) thermal resistance	18	°C/W
$\theta_{JC(Bottom)}$	Junction-to-case (bottom) thermal resistance	2.2	°C/W
θ_{JB}	Junction-to-board thermal resistance	13.3	°C/W
$\Psi_{JC(Top)}$	Junction-to-case (top) characterization parameter	0.3	°C/W
$\Psi_{JC(Bottom)}$	Junction-to-case (bottom) characterization parameter	1.7	°C/W
Ψ_{JB}	Junction-to-board characterization parameter	12.4	°C/W

Note 5. For more information about thermal parameter, see the Application and Definition of Thermal Resistances report, [AN061](#).

Note 6. θ_{JA} , Ψ_{JC} , and Ψ_{JB} are simulated based on JEDEC 51-7 on a high effective-thermal-conductivity four-layer (2s2p) test board at 25°C and still air; furthermore, all layers with 1 oz. Cu. Thermal resistance/parameter values may vary depending on the PCB material, layout, and test environmental conditions.

14 Electrical Characteristics

(Unless otherwise stated, the following conditions apply: $V_{IN} = 48\text{ V}$, $-40^{\circ}\text{C} < T_J < 125^{\circ}\text{C}$, $V_{UVLO} = 3\text{ V}$, $V_{OVLO} = 0\text{ V}$, $R_{PWR} = 20\text{ k}\Omega$. ([Note 7](#)))

Parameter	Symbol	Test Conditions	Min	Typ	Max	Unit
Input Supply (VIN)						
VIN POR Threshold to Trigger Insertion Timer	VIN_POR_IT	VIN Increasing	--	7.8	9	V
VIN POR Threshold to Enable All Functions	VIN_POR_EN	VIN Increasing	--	8.6	9.9	V
VIN POR Enable Hysteresis	VIN_POR_EN_HYS	VIN Decreasing	--	100	--	mV
Input Current, Enabled	IIN_EN	$V_{UVLO} = 3\text{ V}$, $V_{OVLO} = 2\text{ V}$ (active)	3	5	7	mA
VIN_K						
VIN_K Bias Current	I _{VIN_K}		--	330	600	μA
VDD Regulator (VDD Pin)						
VDD Voltage	VDD	$I_{VDD} = 0\text{ mA}$	4.6	4.9	5.15	V
		$I_{VDD} = 10\text{ mA}$	4.6	4.9	5.15	
VDD Current Limit	VDD_ILIM		-50	-30	-15	mA
VDD Voltage Reset Threshold	VDD_POR	VDD Rising	--	4.1	--	V
UVLO/EN and OVLO						
UVLO Threshold	V _{UVLO-L}	Falling (low) threshold	2.41	2.48	2.55	V
UVLO Hysteresis Current	I _{UVLO_HYS}	$V_{UVLO} = 1\text{ V}$	16	20	24	μA
UVLO Bias Current	I _{UVLO_BIAS}	$V_{UVLO} = 3\text{ V}$	--	0	1	μA

Parameter	Symbol	Test Conditions	Min	Typ	Max	Unit
OVLO Threshold	VOVLO-H	Rising (high) threshold	2.39	2.46	2.53	V
OVLO Hysteresis Current	IOVLO_HYS	VOVLO = 3V	-24	-20	-16	μA
OVLO Bias Current	IOVLO_BIAS	VOVLO = 1V	--	0	1	μA
Power Good (PG)						
Output Low Voltage	VPG_L	ISINK = 2mA	--	200	400	mV
Off Leakage Current	VPG_ILK	VPG = 80V	--	0	1	μA
FB						
FB Threshold	VFB	VUVLO = 3V, VOVLO = 2V (active)	2.41	2.46	2.52	V
FB Hysteresis Current	VFB_HYS	High threshold	-25	-20	-15	μA
Off Leakage Current	VFB_ILK	VFB = 2.3V	--	0	1	μA
Power Limit						
Power Limit Sense Voltage (V _{VIN_K} - V _{SENSE}) _{PL}	V _{PL}	V _{IN} = 48V, V _{OUT} = 0V, R _{PWR} = 60K	8	11	14	mV
		V _{IN} = 48V, V _{OUT} = 0V, R _{PWR} = 20K	2.6	4.2	5.7	
		V _{IN} = 48V, V _{OUT} = 24V, R _{PWR} = 60K	17.2	22.4	27.6	
		V _{IN} = 48V, V _{OUT} = 24V, R _{PWR} = 20K	6.2	8.7	10.5	
		V _{IN} = 48V, V _{OUT} = 0V, R _{PWR} = 100K	13.9	18.2	22.4	
		V _{IN} = 48V, V _{OUT} = 32V, R _{PWR} = 135K (open R _{PWR} detection)	--	0	1	
PWR Pin Current	IPWR	V _{PWR} = 2.5V	--	-20	--	μA
PWR Pin Impedance	RSAT_PWR	Disabled, V _{UVLO} = 2V	--	120	--	Ω
Maximum R _{PWR}	R _{PWR_MAX}		--	--	100	KΩ
OPEN R _{PWR} Detection Level	R _{PWR-OPEN}	(V _{VIN_K} - V _{SENSE}) _{PL} = 0mV	135	--	--	KΩ
GATE Control						
Source Current	IGATE(SRC)	Normal Operation	-25	-20	-15	μA
Fault Sink Current	IGATE(FLT)	V _{UVLO} = 2V	4	4.8	5.5	mA
POR Circuit Breaker Sink Current	IGATE(CB)	V _{VIN_K} - V _{SENSE} = 60mV or V _{IN} < V _{IN_POR_IT} , V _{GATE} = 5V, OUT = 0V, C _B /C _L ratio bit = 0, C _L = V _{DD}	90	200	350	mA
Active CL (ACL) Sink Current	IGATE(ACL)	V _{VIN_K} - V _{SENSE} = V _{CL} +40mV, V _{GATE} = 5V, OUT = 0V RTQ1950 only	--	1.6	--	mA
		V _{VIN_K} - V _{SENSE} = V _{CL} +40mV, V _{GATE} = 5V, OUT = 0V RTQ1950A only	--	80	--	μA
Reverse-Bias Voltage of GATE to OUT	VGATEZ	V _{GATE} - V _{OUT} , I _Z = -100μA	12	15.6	18	V

Parameter	Symbol	Test Conditions	Min	Typ	Max	Unit
Peak charge pump voltage in normal operation (VIN = VOUT)	VGATECP	VGATE - VOUT	11	13	15	V
OUT						
OUT Bias Current, Enabled	IOUT-EN	VIN = VOUT, Normal Operation	55	80	100	μA
OUT Bias Current, Disabled	IOUT-DIS	VOUT = 0V, VVIN_K = VSENSE, VEN/UVLO = 2V	-2.5	0	2.5	μA
Current Limit						
Current-Limit Threshold Voltage (VVIN_K - VSENSE)CL	VCL	CL = VREF	14.25	15	15.75	mV
		CL = VDD	24.7	26	27.3	
		CL = GND	47.5	50	52.5	
PMBus CL Voltage Limit Threshold	VCL	Min Threshold	9.5	10	10.5	mV
		Max Threshold	52.25	55	57.75	
		DAC step resolution	--	1	--	
SENSE Input Current	ISENSE	Enabled, SENSE = OUT	--	0	1	μA
		Disabled, OUT = 0V	--	0	1	
		Enabled, OUT = 0V	--	0	1	
Circuit Breaker						
Circuit Breaker Threshold Voltage (VVIN_K - VSENSE)CB	VCB	CB/CL ratio bit =0, VCL ≥ 33mV	76	100	116	mV
		CB/CL ratio bit =1, VCL ≥ 33mV	160	200	230	
		CB/CL ratio bit =0, VCL ≤ 32mV	40	50	60	
		CB/CL ratio bit =1, VCL ≤ 32mV	76	100	116	
TIMER						
Upper Threshold	VTMRH		3.6	3.8	4.07	V
Lower Threshold	VTMRL	Restart cycles	1	1.2	1.4	V
		End of eight cycle re-enabled threshold	--	0.3	--	
Insertion Time Current	ITIMER	VTIMER = 2V	-5.9	-4.8	-3.3	μA
Sink Current, End of Insertion Time			0.9	1.5	2.1	mA
Fault Detection Current			-90	-75	-60	μA
Fault Sink Current			1.7	2.5	3.2	μA
Fault Restart Duty Cycle	DCFAULT		--	0.5	--	%
Internal Reference						
Reference Voltage	VREF		2.91	3.0	3.09	V
ADC and MUX						

Parameter	Symbol	Test Conditions	Min	Typ	Max	Unit
Resolution			--	12	--	Bits
Integral Non-Linearity	INL	ADC only	--	±0.5	--	LSB
Oscillator Frequency	fOSC		1.9	2.0	2.10	MHz
Acquisition + Conversion Time	tACQUIRE	Any channel	--	129	--	μs
Acquisition Round Robin Time (Note 8)	tRR	Cycle all channels	--	1.048	--	ms
Telemetry Accuracy						
Current Input Full-Scale Range	I _{INFSR}	CL = VREF	26	27	29	mV
		CL = VDD	26	27	29	
		CL = GND	50	54.4	58	
Current Input LSB	I _{INLSB}	CL = VREF	--	6.7	---	μV
		CL = VDD	--	6.7	--	
		CL = GND	--	13.3	--	
VAUX Input Full Scale Range	VAUXFSR		2.93	2.97	3.01	V
VAUX Input LSB	VAUXLSB		-	725	-	μV
Input Voltage Full Scale Range	V _{INFSR}		86	88.9	91	V
Input Voltage LSB	V _{INLSB}		-	21.7	-	mV
Output Voltage Full-Scale Range	V _{OUTFSR}		86	88.9	91	V
Output Voltage LSB	V _{OUTLSB}		-	21.7	-	mV
VIN, VOUT Absolute Accuracy	V _{ACC}	VIN, VOUT = 80V	-0.8	--	0.8	%
		VIN, VOUT = 48V	-0.8	--	0.8	
		VIN, VOUT = 10V	-2.5	--	2.5	
VAUX Absolute Accuracy	V _{ACC}	VAUX = 2.8V	-0.8	--	0.8	%
		VAUX = 1.5V	-0.8	--	0.8	
		VAUX = 0.75V	-0.8	--	0.8	
Input Current Absolute Accuracy	I _{INACC}	V _{VIN_K} - V _{SENSE} = 22mV (80% I _{INFSR}), CL = VDD	-1	--	1	%
		V _{VIN_K} - V _{SENSE} = 22mV (80% I _{INFSR}), CL = VDD -40°C < T _J < 85°C	-0.8	--	0.8	
		V _{VIN_K} - V _{SENSE} = 12mV (44% I _{INFSR}), CL = VREF	-2	--	2	
		V _{VIN_K} - V _{SENSE} = 5mV (19% I _{INFSR}), CL = VDD	-5	--	5	
		V _{VIN_K} - V _{SENSE} = 44mV (80% I _{INFSR}), CL = GND	-1	--	1	
		V _{VIN_K} - V _{SENSE} = 44mV (80% I _{INFSR}), CL = GND -40°C < T _J < 85°C	-0.8	--	0.8	

Parameter	Symbol	Test Conditions	Min	Typ	Max	Unit
		V _{VIN_K} – V _{SENSE} = 25mV (50% I _{INFSR}), CL = GND	-1	--	1	
		V _{VIN_K} – V _{SENSE} = 9.5mV (19% I _{INFSR}), CL = GND	-5	--	5	
Input Power Accuracy	PINACC	V _{VIN_K} – V _{SENSE} = 22mV (80% I _{INFSR}), CL = VDD	-1.8	--	1.8	%
		V _{VIN_K} – V _{SENSE} = 22mV (80% I _{INFSR}), CL = VDD -40°C < T _J < 85°C	-1.5	--	1.5	
		V _{VIN_K} – V _{SENSE} = 12mV (44% I _{INFSR}), CL = VREF	-2.5	--	2.5	
		V _{VIN_K} – V _{SENSE} = 5mV (19% I _{INFSR}), CL = VDD	-5	--	5	
		V _{VIN_K} – V _{SENSE} = 44mV (80% I _{INFSR}), CL = GND	-1.8	--	1.8	
		V _{VIN_K} – V _{SENSE} = 44mV (80% I _{INFSR}), CL = GND -40°C < T _J < 85°C	-1.5	--	1.5	
		V _{VIN_K} – V _{SENSE} = 25mV (50% I _{INFSR}), CL = GND	-1.8	--	1.8	
		V _{VIN_K} – V _{SENSE} = 9.5mV (19% I _{INFSR}), CL = GND	-5	--	5	
Temperature Sense						
On Chip Temperature Accuracy	T _{JACC}	T _J = -40°C to 125°C	-8	--	8	°C
On Chip Temperature Resolution		--	12	--	bits	
Temperature Accuracy Using Remote Diode	T _{ACC}	T _A = 25°C to 85°C	-8	--	8	°C
Remote Diode Resolution		--	12	--	bits	
Remote Diode Current Source	IDIODE	High Level	-210	-160	--	μA
		Mid Level	--	-60	--	
		Low Level	--	-10	--	
Remote Diode Current Ratio	IDIODE_CR	High level to low level ratio	13.6	16	17.6	μA/μA
		High level to mid level ratio	2.14	2.67	3.2	μA/μA
Max Series Resistance with Remote Diode			--	--	300	Ω
PMBus Pin Thresholds (SCL, SDA, SMBA)						
Data, Clock Input Low Voltage	V _{IL}	SCL, SDAI	--	--	0.8	V
Data, Clock Input High Voltage	V _{IH}	SCL, SDAI	1.35	--	5.5	V
Data Output Low Voltage	V _{OL}	SDAO, I _{SINK} = 3mA	0	--	0.4	V
Input Leakage Current	I _{LEAK}	SDAI, SMBA, SCL = 5V	--	0	1	μA
PROCHOT Output						

Parameter	Symbol	Test Conditions	Min	Typ	Max	Unit
Output Low Voltage	VPROCHOT_LV	ISINK = 2mA	--	100	400	mV
Off Leakage Current	IPROCHOT_LK		--	0	1	μA
CFG Pin Thresholds (CL, RETRY)						
High Threshold Voltage	VIH		3.6	3.9	4.1	V
Low Threshold Voltage	VIL		1.8	2	2.2	V
Input Leakage Current	ILEAK	CL, $\overline{\text{RETRY}} = 5V$	--	5	--	μA

Note 7. Guaranteed by design.

Note 8. The sampling time increment is $t_{ACQUIRE} \times N$, where N is the number of active telemetry features (VIN, VOUT, IIN, and TEMP_INTERNAL). If the TEMP_EXTERNAL telemetry is active, the sampling time increment is 1.048ms.

14.1 SMBus Communications Timing Requirements and Definitions

Parameter	Symbol	Min	Typ	Max	Unit
SMBus Operating Frequency	f _{SMB}	10	--	1000	KHz
Bus Free Time Between Stop and Start Condition	t _{BUF}	0.5	--	--	μs
Hold Time After (Repeated) Start Condition. After This Period, The First Clock is Generated.	t _{HD:STA}	0.26	--	--	μs
Repeated Start Condition Setup Time	t _{SU:STA}	0.26	--	--	μs
Stop Condition Setup Time	t _{SU:STO}	0.26	--	--	μs
Data Hold Time (Note 9)	t _{HD:DAT}	85	--	--	ns
Data Setup Time	t _{SU:DAT}	50	--	--	ns
Detect Clock Low Timeout (Note 10)	t _{TIMEOUT}	25	--	35	ms
Clock Low Period	t _{LOW}	0.5	--	--	μs
Clock High Period (Note 11)	t _{HIGH}	0.26	--	--	μs
Cumulative Clock Low Extended Time (Slave Device) (Note 12)	t _{LOW:SEXT}	--	--	25	ms
Cumulative Low Extend Time (Master Device) (Note 13)	t _{LOW:MEXT}	--	--	10	ms
Clock/Data Fall Time (Note 14)	t _R	20	--	120	ns
Clock/Data Rise Time	t _F	20	--	120	ns

Note 9. The device must internally provide sufficient hold time for the SDA signal (with respect to the V_{IH,MIN} of the SCL signal) to bridge the undefined region of the falling edge of SCL.

Note 10. Devices participating in a transfer can abort the transfer in progress and release the bus when any single clock low interval exceeds the value of t_{TIMEOUT,MIN} of 25ms. Devices that have detected this condition must reset their communication and be able to receive a new START condition no later than t_{TIMEOUT,MAX} of 35ms.

Note 11. t_{HIGH,MAX} provides a simple guaranteed method for masters to detect bus idle conditions.

Note 12. t_{LOW:SEXT} is the cumulative time a slave device is allowed to extend the clock cycles in one message from the initial START to the STOP.

Note 13. t_{LOW:MEXT} is the cumulative time a master device is allowed to extend its clock cycles within each byte of a message as defined from START-to-ACK, ACK-to-ACK, or ACK-to-STOP.

Note 14. Rise and fall times are defined as follows:

$$t_R = (V_{IL,MAX} - 0.15V) \text{ to } (V_{IH,MIN} + 0.15V), t_F = (V_{IH,MIN} + 0.15V) \text{ to } (V_{IL,MAX} - 0.15V)$$

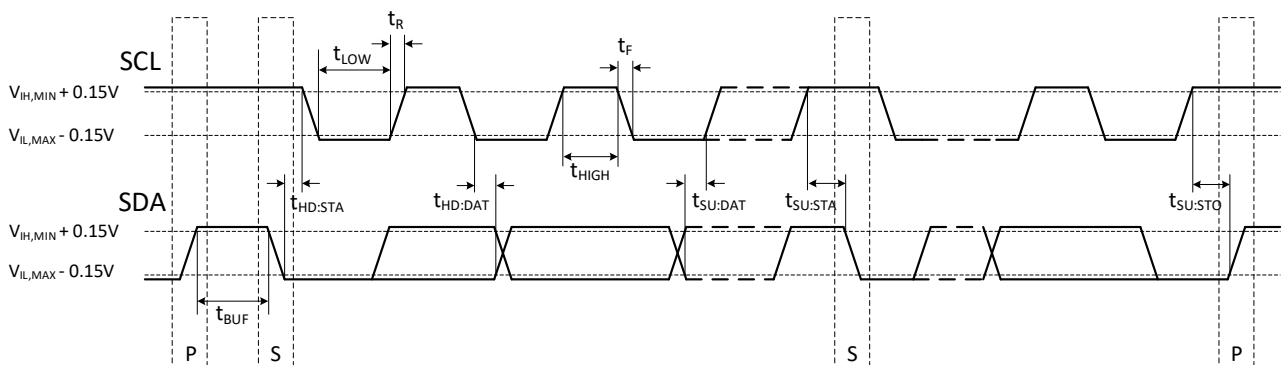


Figure 1. SMBus Timing Diagram

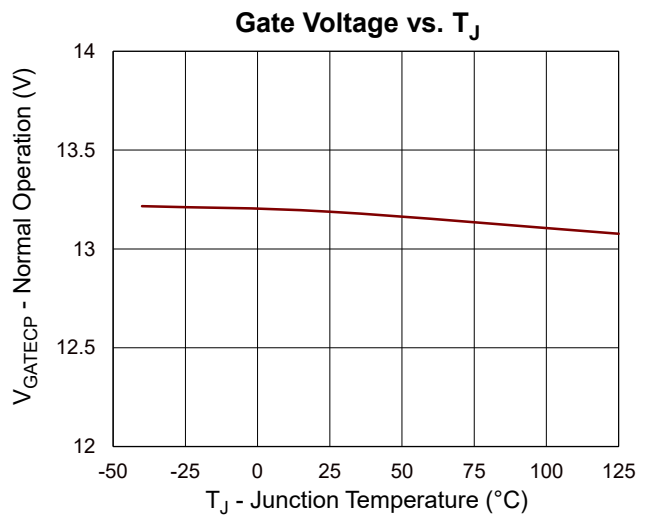
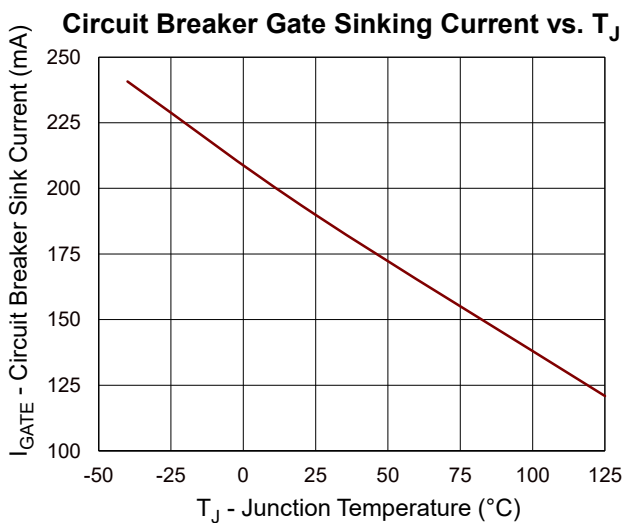
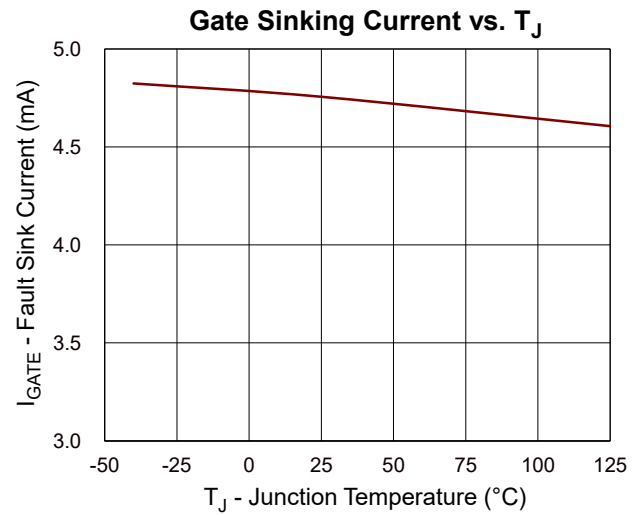
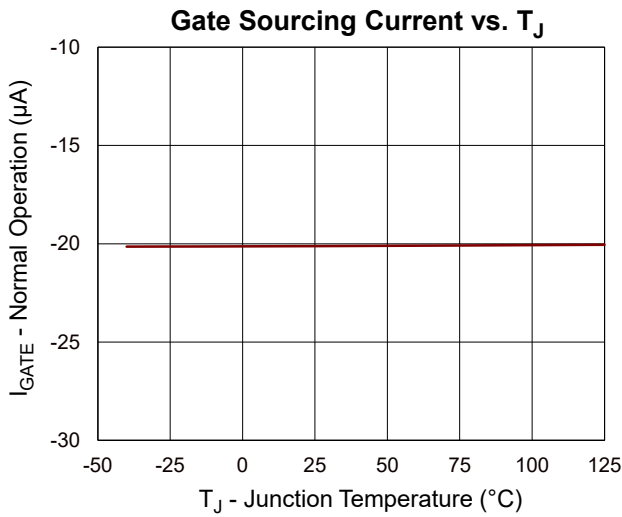
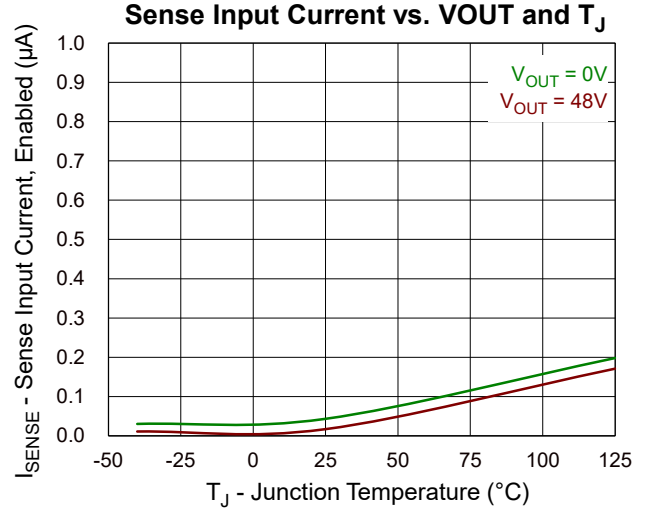
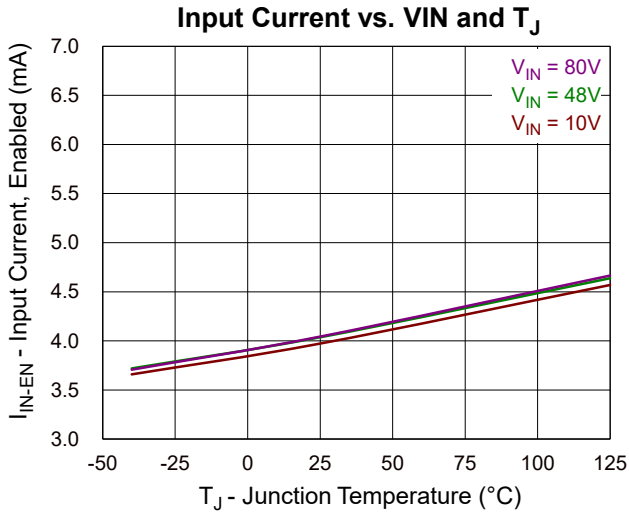
14.2 Switching Characteristics

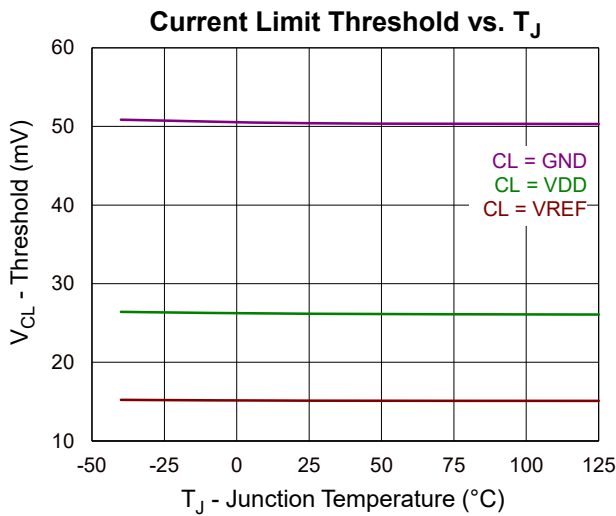
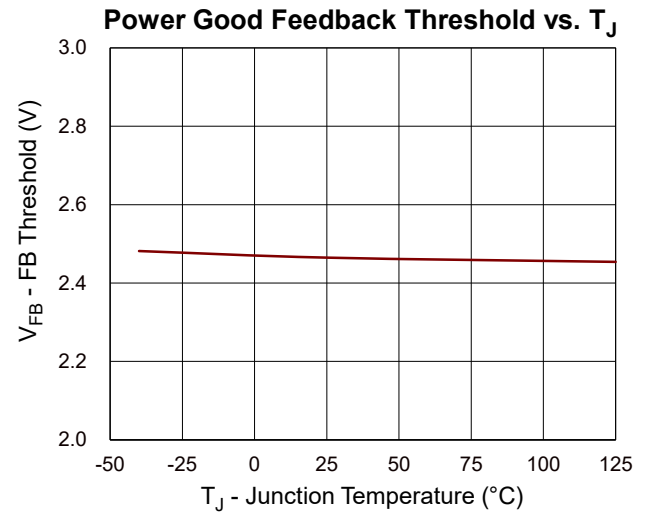
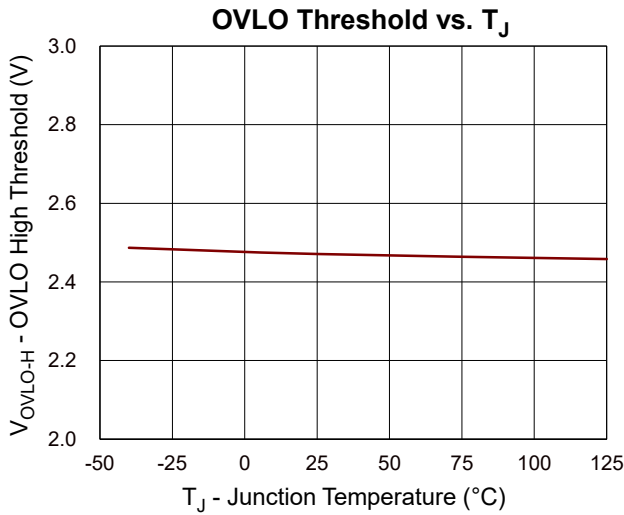
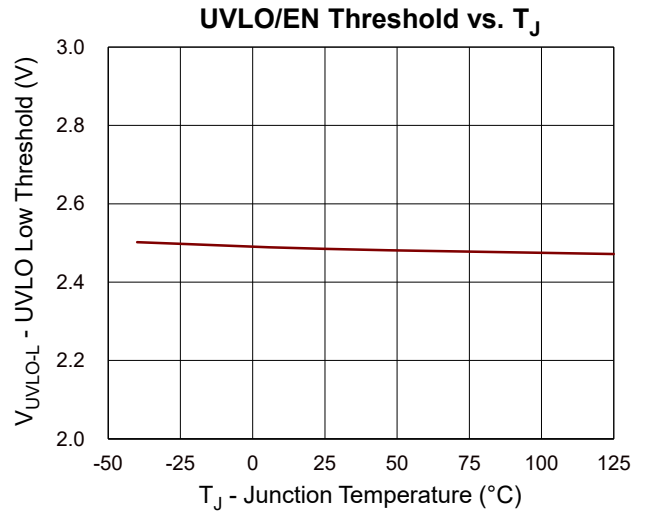
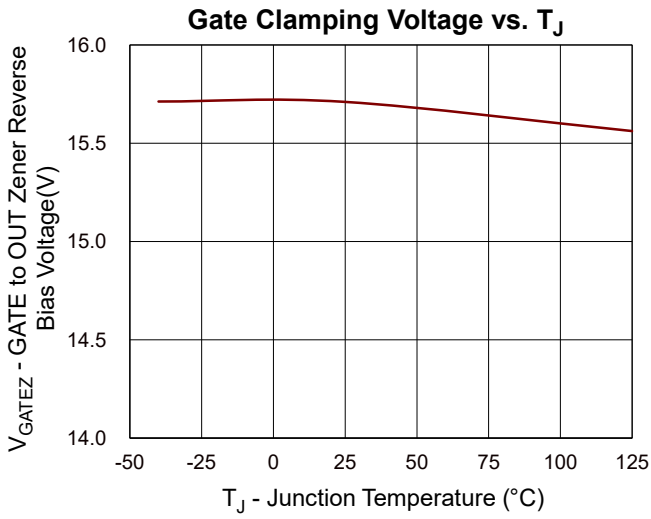
(Unless otherwise stated, the following conditions apply: $V_{IN} = 48\text{ V}$, $-40^{\circ}\text{C} < T_J < 125^{\circ}\text{C}$, $V_{UVLO} = 3\text{ V}$, $V_{OVLO} = 0\text{ V}$, $R_{PWR} = 20\text{k}\Omega$.)

Parameter	Symbol	Test Conditions	Min	Typ	Max	Unit
UVLO Delay	t _{UVLO_DEL}	Delay to GATE high	7	10.7	12.7	μs
		Delay to GATE low	5.5	9	11.5	
OVLO Delay	t _{OVLO_DEL}	Delay to GATE high	7	10.7	12.7	μs
		Delay to GATE low	5.5	9.3	11.5	
FB Delay	t _{FB_DEL}	Delay to PG high (FB and GATE_HI TRUE)	70	100	160	μs
		Delay to PG low	7	11.5	13.5	
Current Limit Response Time	t _{CL}	VIN_K-SENSE stepped from 0 to 80mV; CL = GND, time to GATE-OUT<2V, Cgs = 0nF	--	5	20	μs
Circuit Breaker Response Time	t _{CB}	VIN_K-SENSE stepped from 0 to 150 mV, time to GATE-OUT<2V, no load, CB threshold = 50mV	--	0.35	0.5	μs
Fault to GATE Low Delay	t _{FAULT_DEL}	TIMER pin reaches the upper threshold	--	2	4	μs

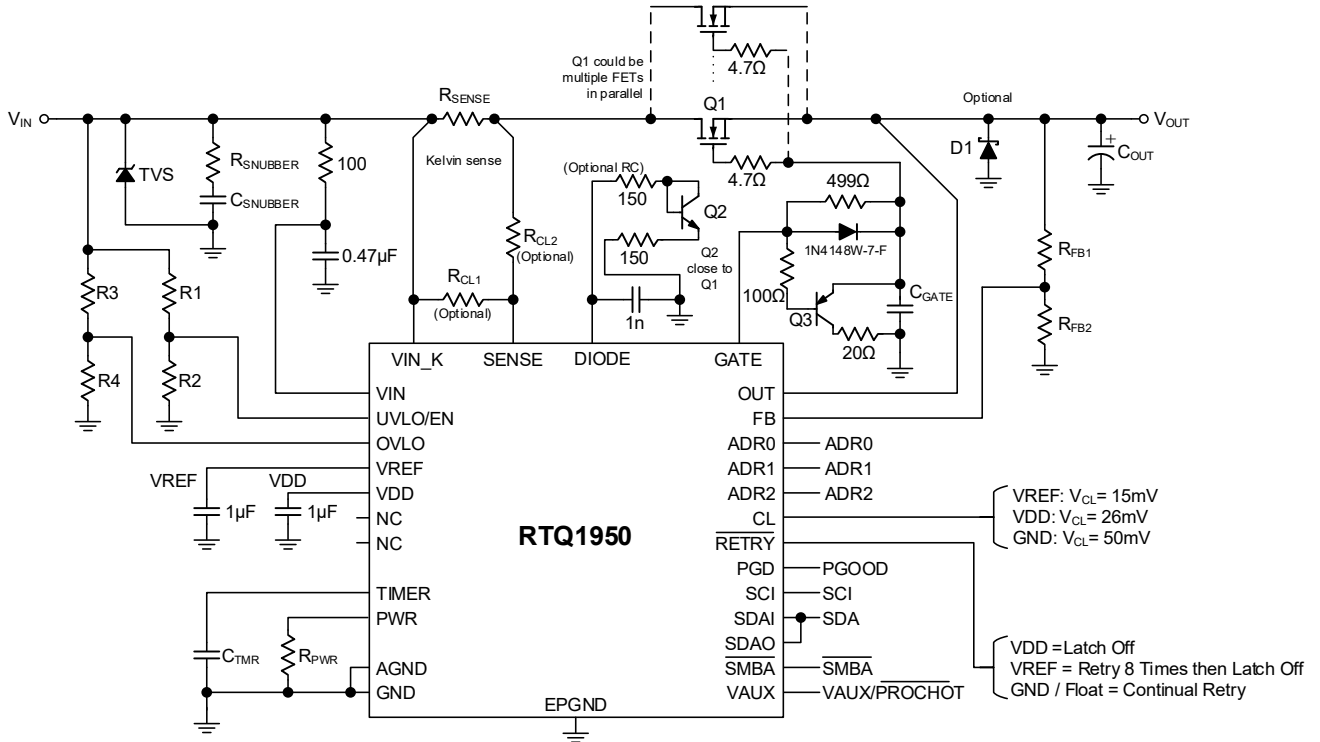
15 Typical Characteristics Curves

Unless otherwise stated, the following conditions apply: $V_{IN} = 48V$, $T_J = 25^{\circ}C$.

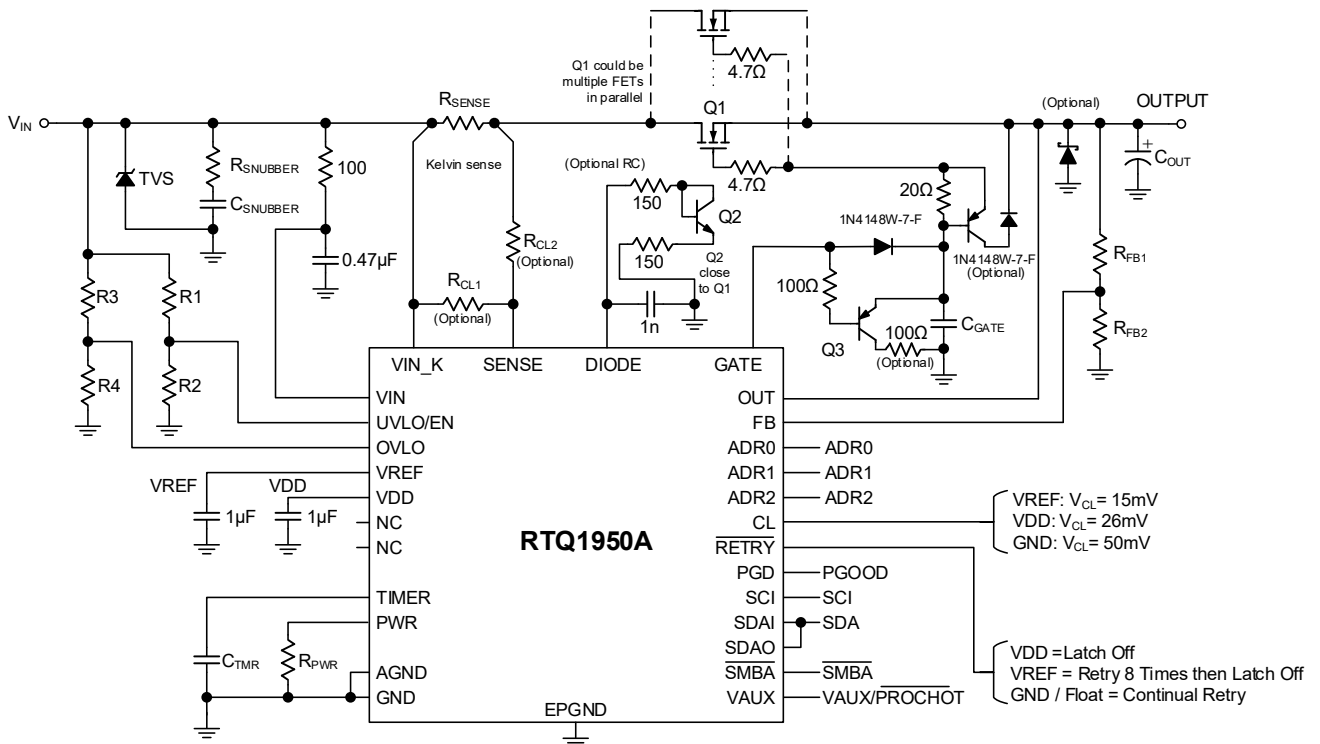




16 Typical Application Circuit



Typical Application Circuit using RTQ1950



Typical Application Circuit using RTQ1950A

17 Application Information

[\(Note 15\)](#)

17.1 Overview

The RTQ1950/RTQ1950A inline power protection controls inrush current when inserting an add-in-card or circuit card into a live (so called “hot”) backplane power source. The controlled inrush current prevents voltage sagging on the backplane supply voltage as well as high dV/dt surge on the load. Similarly, when removing an add-in-card from a source, a controlled shutdown is implemented to prevent flash arc and possible damage.

In addition to a controlled hot swapping in/out of a power source, the RTQ1950/RTQ1950A provides fast and accurate responses to various faults during operation. A high-resolution current limit with sense voltage programmability of 10mV to 55mV provides first-level fault/overcurrent protection, while the sub- μ s response time to short circuit faults ensures the external series-pass MOSFET will not get damaged. In addition to the current limit, the RTQ1950/RTQ1950A provides programmable MOSFET safe operating area (SOA) protection (known as power limit) that accurately monitors and controls the maximum power dissipation in the MOSFET within its SOA limits. A hardware adjustable fault timer avoids false trips and limits the duration of overload events. If the current/power limit still exists at the end of the fault timer period, the RTQ1950/RTQ1950A shuts down the series-pass MOSFET and follows an adjustable RETRY for the selection of the number of retries. In the event of a system shutdown, the smart reboot command provides a programmable reboot time of up to 65s. MOSFET health warning and detection algorithms monitor the MOSFET even when it is fully enhanced. Programmable undervoltage lockout (UVLO) and overvoltage lockout (OVLO) shuts down the RTQ1950/RTQ1950A when the input voltage is outside the normal operating region. Remote temperature sensing with adjustable warning/shutdown thresholds allows the RTQ1950/RTQ1950A to protect and monitor the most critical systems.

For monitoring purposes, the RTQ1950/RTQ1950A measures real-time power, voltage, current, temperature, and fault data and transmitting this information via an I2C/SMBus interface with a PMBus compliant command structure. Precision telemetry enables intelligent power management functions (e.g. Intel PROCHOT output), power optimization and early fault detection. The RTQ1950/RTQ1950A also improves system diagnostics with adjustable telemetry averaging and peak power measurement.

17.2 Input Voltage and Filtering

The RTQ1950/RTQ1950A draws power from VIN, and this pin can be filtered from the primary input supply using an R-C network, as shown in [Typical Application Circuit](#). A time constant of several tens of microseconds should be sufficient. While the Absolute Maximum Rating (AMR) of the difference between VIN and VIN_K is ± 60 V, the differential voltage should be temporary. This is the case when power is first applied to VIN_K and VIN through the R-C filter or when a fault occurs resulting in an inductive spike on VIN_K while VIN remains filtered. However, the internal RTQ1950/RTQ1950A charge pump is connected to VIN, so VGS of the external MOSFET will be reduced by (VIN_K-VIN). Therefore, it is important that the differences between VIN and VIN_K are transient and kept under ± 1 V during normal operation.

17.3 Current Sense Inputs

The RTQ1950/RTQ1950A measures the load current by sensing the voltage across the external current sense resistor RSNS (VVIN_K - VSENSE). To avoid instability in current loop control, it is recommended that the RSNS value be no higher than 200m Ω . For designs that require multiple sense resistors in parallel, care must be taken in the layout and connection of these resistors to minimize the effect of imbalance.

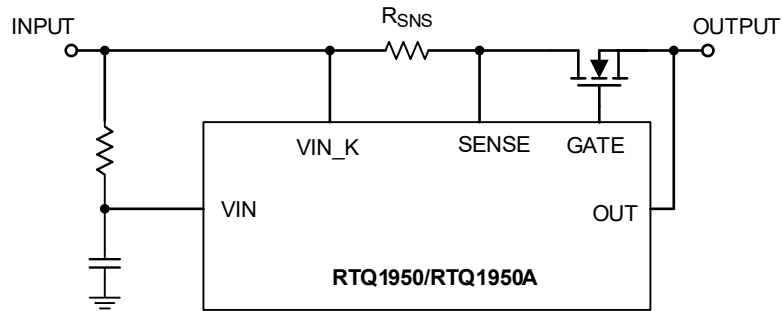


Figure 2. Connection of Sense Resistor to Hotswap Controller

17.4 Current Limit

When the voltage across the external current sense resistor R_{SNS} ($V_{VIN_K} - V_{SENSE}$) exceeds the threshold set by V_{CL} (hardware setting or programmed via PMBus), the RTQ1950/RTQ1950A controls the GATE voltage to quickly limit the output current to $I_{LIMIT} = V_{CL} / R_{SNS}$ and the device goes into current limit mode. The fault timer is activated and charges the C_{TIMER} using $75\mu A$ current source as described in Fault Timer section. If the current in the MOSFET drops below the I_{LIMIT} threshold before fault timer reaches the Fault Timeout Period set by C_{TIMER} (TIMER pin reaches 3.8V), the RTQ1950/RTQ1950A resumes normal operation. Otherwise, the IIN_OC_Fault bit in STATUS_INPUT (7Ch) will assert, PG will deassert and the \overline{SMBA} pin will be asserted and the RTQ1950/RTQ1950A moves to the RETRY phase. \overline{SMBA} alerts can be disabled using the ALERT_MASK (D8h) register. The current-limit threshold voltage can be set by the CL pin (15mV if CL=VREF, 26mV if CL=VDD and 50mV if CL=GND) or overridden by setting relevant bits in the DEVICE_SETUP (D9h) and MFR_CL_THRESHOLD (F0h) registers (10 to 55mV with 1mV increments).

17.5 Power Limit

To protect the external MOSFET SOA with only the current limit feature, it is necessary to set the fault timeout period short enough so that the MOSFET SOA is not exceeded during fault conditions such as a short circuit where V_{ds} is very high. A short timeout period forces the system to shutdown prematurely during normal load transient current limit scenarios. Alternatively, a MOSFET with a higher SOA curve can be chosen to alleviate this issue with the downside of overdesigning the system. The MOSFET SOA curve indicates the amount of power it can dissipate for a given amount of time before the junction temperature reaches its maximum value.

The RTQ1950/RTQ1950A implements a better solution which is a power limit feature that accurately limits the maximum power dissipation in the external MOSFET. The power dissipation is calculated by multiplying the current in R_{SNS} and the voltage across the MOSFET ($V_{SENSE} - V_{OUT}$), and comparing with the programmed power limit threshold set by the PWR pin resistor (R_{PWR}):

$$P_{LIM} = \frac{(R_{PWR} \times 7 \times 10^{-6} + 0.043)}{R_{SNS}}$$

As the P_{LIM} is proportional to R_{PWR} (for the same R_{SNS} value), during a fault scenario where R_{PWR} is open, the power dissipation in the external MOSFET can be significant and lead to damage. The RTQ1950/RTQ1950A has an open- R_{PWR} detection feature that stops current flow if $R_{PWR} \geq 135K\Omega$. When the dissipated power reaches the power limit threshold, the RTQ1950/RTQ1950A regulates the GATE voltage to limit the current (and hence the power dissipation) in the MOSFET, and the fault timer begins. If the power limit exists longer than the Fault Timeout Period, the RTQ1950/RTQ1950A turns off the MOSFET using 4.8mA pulldown current, and the IIN_OC_Fault bit in the STATUS_INPUT (7Ch) register, the INPUT_STATUS bit in the STATUS_WORD (79h) register, and the

IIN_OC/PFET_OP_FAULT bit in the READ_DIAGNOSTIC_WORD (E1h) register is toggled high, and the $\overline{\text{SMBA}}$ pin is asserted unless this feature is disabled using the ALERT_MASK (D8h) register.

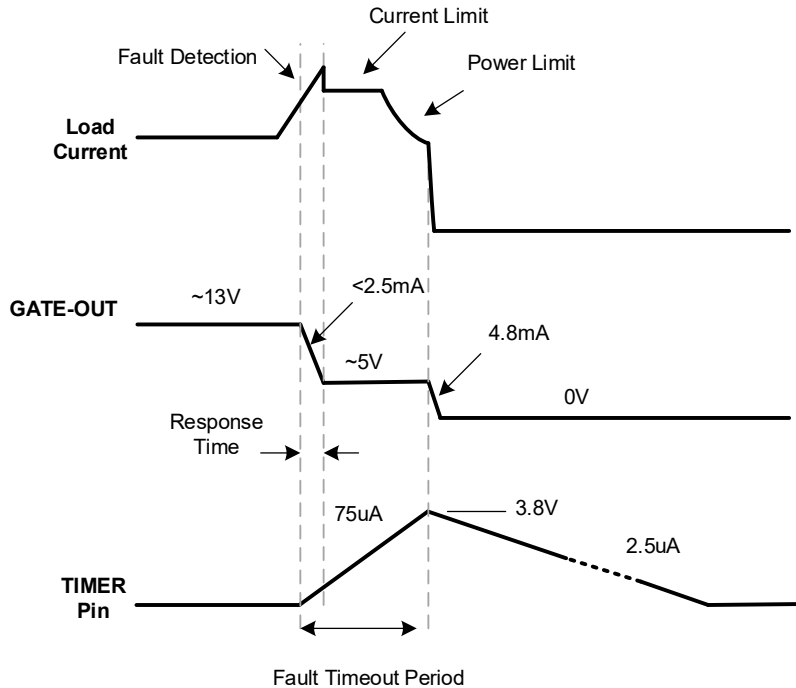


Figure 3. Current/Power Limit Mode in Normal Operation Load Step

17.6 Circuit Breaker

In a scenario such as an output short circuit when the current in R_{SNS} exceeds the I_{LIMIT} threshold faster than the current limit control loop can respond, the RTQ1950/RTQ1950A protects the system using a circuit breaker (CB) mechanism. The circuit breaker mechanism is activated when the voltage across R_{SNS} exceeds the threshold set as V_{CB} . The circuit breaker current is determined by:

$$I_{\text{CB}} = \frac{V_{\text{CB}}}{R_{\text{SNS}}}$$

In this event the RTQ1950/RTQ1950A switches off the MOSFET using a 200mA GATE pull down current. When the voltage across R_{SNS} falls below the V_{CB} threshold, the 200mA current switches off and the GATE voltage servos based on the current/power limit functions. If the TIMER pin reaches 3.8V (end of Fault Timeout Period) before the current/power limit ends, the RTQ1950/RTQ1950A turns off the MOSFET using 4.8mA pulldown current. A circuit breaker event will deassert PG and causes the CB_FAULT bit to be toggled high in STATUS_WORD (79h), STATUS_OTHER (7Fh), STATUS_MFR_SPECIFIC (80h) and READ_DIAGNOSTIC_WORD (E1h). The $\overline{\text{SMBA}}$ pin is pulled low, and the RTQ1950/RTQ1950A moves to the RETRY phase. The $\overline{\text{SMBA}}$ alert can be disabled using the ALERT_MASK (D8h) register. The circuit breaker threshold can be set by relevant bits in the DEVICE_SETUP (D9h) register.

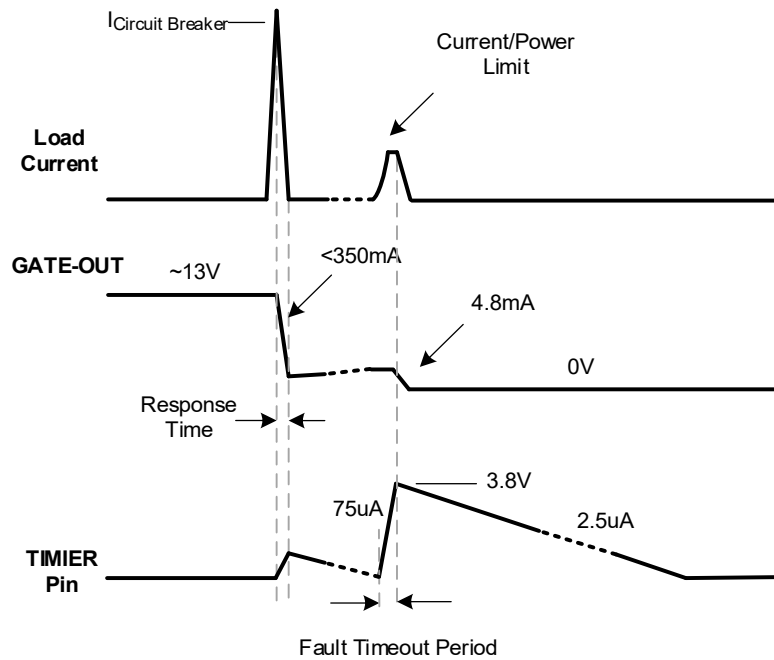


Figure 4. Circuit breaker Mechanism during Normal Operation Short Circuit

17.7 Undervoltage-Lockout (UVLO)

The RTQ1950/RTQ1950A enables the external MOSFET when the input voltage (VIN) is within the operating range set by the UVLO and OVLO thresholds. When the voltage at the UVLO pin is less than the UVLO low threshold (VUVLO-L) of 2.48V, the external MOSFET is held off by 4.8mA pulldown current at the GATE. In this condition, the 20µA current sink at the UVLO pin is enabled to provide hysteresis. As the voltage at the UVLO pin increases beyond the UVLO threshold of 2.48V plus the hysteresis voltage (determined by 20µA sink and external resistor), the 20µA current sink is disabled and the external MOSFET is turned on using 20µA charge pump at the GATE, provided that the insertion time has passed.

After power-up, a UVLO condition causes the INPUT_STATUS bit in the STATUS_WORD (79h) register, the VIN_UV_FAULT bit in the STATUS_BYTE (78h), STATUS_INPUT (7Ch) and READ_DIAGNOSTIC_WORD (E1h) registers to be toggled high and $\overline{\text{SMBA}}$ pin is pulled low unless this feature is disabled using the ALERT_MASK (D8h) register.

17.8 Overvoltage-Lockout (OVLO)

When the voltage at the OVLO pin is higher than the OVLO high threshold (VOVLO-H) of 2.46V, the external MOSFET is held off by 4.8mA GATE pulldown current. In this condition, the 20µA current source at the OVLO pin is enabled to provide hysteresis. As the voltage at the OVLO pin drops below the OVLO threshold of 2.46V minus hysteresis (determined by 20µA current source and external resistor), the external MOSFET is enabled. See the [Application Information](#) for information on setting the input OVLO voltage using a resistor divider. An OVLO condition toggles the VIN_OV_FAULT bit in the STATUS_INPUT (7Ch) and READ_DIAGNOSTIC_WORD (E1h) registers, the INPUT_STATUS bit in the STATUS_WORD (79h). The $\overline{\text{SMBA}}$ pin is pulled low unless this feature is disabled using the ALERT_MASK (D8h) register.

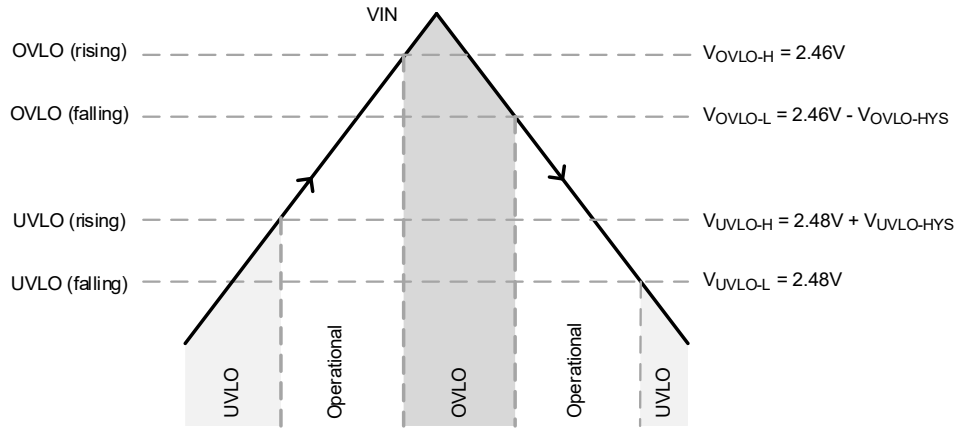


Figure 5. VIN UVLO and OVLO Conditions

Different configurations can be used to set the UVLO and OVLO thresholds using resistive dividers. To accurately set all the VIN OVLO (high and low) and UVLO (high and low) thresholds, it is recommended to use dedicated resistive dividers on the UVLO and OVLO pins. However, to reduce the external BOM, the VIN UVLO (high and low) and VIN OVLO (high only) can be set using three resistive dividers as shown below. In this configuration, the VIN OVLO-L (low) is not set in advance.

$$R_1 = \frac{VIN_{UVLO-H} - VIN_{UVLO-L}}{20\mu A}$$

$$R_3 = \frac{R_1 \times VIN_{UVLO-L} \times 2.46V}{VIN_{OVLO-H} \times (VIN_{UVLO-L} - 2.48V)}$$

$$R_2 = \frac{2.48V \times R_1}{VIN_{UVLO-L} - 2.48V} - R_3$$

$$VIN_{OVLO-L} = \left(\frac{2.46V}{R_3} - 20\mu A \right) \times (R_1 + R_2) + 2.46V$$

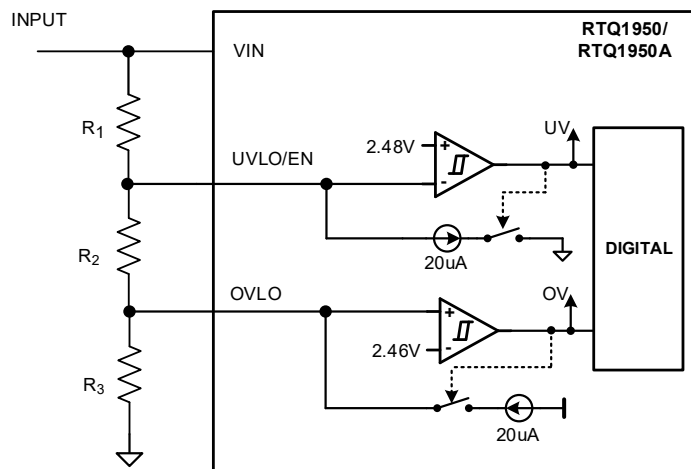


Figure 6. VIN UVLO and OVLO Setting Configuration

17.9 Power Good Pin

Power Good (PG) is an open-drain output indicating the status of the output with the addition of an external pull-up resistor. Internal PG circuitry monitors faults, VIN, FB and GATE-OUT voltage to determine the PG pin voltage status. If the FB pin voltage is below the threshold of 2.46V, the PG pin is pulled low. When the voltage at the FB pin increases beyond the threshold (2.46V) and the GATE-OUT voltage is above the 9V threshold (GATE_HI signal), the PG open-drain output is turned off after 100μs (provided VIN is within the operating range of UVLO and OVLO and no fault exists). Power good is then signaled by the external resistor pulling up on PG. An internal 20μA current source is enabled, sourcing current outside of the pin to create voltage hysteresis (with external resistors) reducing the FB voltage. Typically, VOUT is connected to the FB pin via a resistor divider, although any voltage can be monitored provided it is within the maximum rating of the FB pin. When VIN goes outside of the operating range set by UVLO and OVLO and/or fault is declared and/or the FB pin drops below its threshold, the PG is pulled low after 10μs. The status of the PG pin can be read through the PMBus interface in either the STATUS_WORD (79h) or READ_DIAGNOSTIC_WORD (E1h) registers.

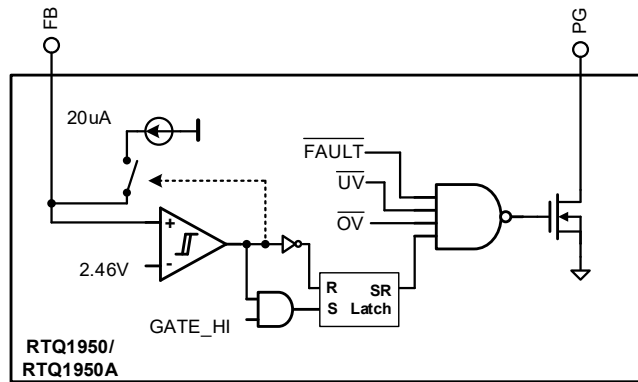


Figure 7. Power Good Logic Block Diagram

VIN UV	VIN OV	FAULT	FB . GATE_HI	PG	Description
L	L	L	H	H	Normal operation
H/L	H/L	H/L	L	L	The FB pin voltage drops below its threshold
H	L	H/L	H/L	L	The input voltage drops below the UVLO threshold
L	H	H/L	H/L	L	The input voltage goes above the OVLO threshold
H/L	H/L	H	H/L	L	Fault is declared

17.10 VDD and VREF Sub-Regulators

The RTQ1950/RTQ1950A includes internal sub-regulators to convert the input voltage VIN to 4.9V VDD that is used for internal low voltage circuits and is used as a pull-up supply for external pins such as CL, $\overline{\text{RETRY}}$, and ADR2-0, if they are tied high. It can also be used as a pull-up supply for SMBus and PG pins. There is a second sub-regulator LDO to convert VDD to VREF of 3V that is used to power internal circuitry. CL and $\overline{\text{RETRY}}$ can be connected to VREF for additional configurations. The VDD and VREF pins are current limited to protect in the event of a short circuit. The VDD and VREF pins should not be loaded by other external circuits due to the limited drive current of the sub-regulators. Place a 1μF 0603 ceramic capacitor close to the VDD and VREF pins to GND. VREF can be externally pulled low to re-latch the PMBus address and reset PMBus registers.

17.11 Remote Temperature Sensing

The temperature of an external element, such as the series-pass MOSFET, can be measured using either an NPN or PNP transistor connected as a diode (base and collector connected together). If using an NPN transistor, the collector and base need to be shorted together and connected to the DIODE pin of the RTQ1950/RTQ1950A, and the emitter to the RTQ1950/RTQ1950A GND (it is recommended to use a Kelvin connection for the device GND for accurate measurement). Transistors such as MMBT3904 or similar are suitable for use. If using a PNP (MMBT3906 or similar), the collector and base need to be connected to device GND and emitter to the DIODE pin. In order to measure the series-pass MOSFET temperature, the transistor should be placed as close to the MOSFET as the layout allows. To reduce the effect of noise on the measurement, a 1nF 0603 ceramic capacitor needs to be placed in parallel with DIODE and device GND.

To further reduce the noise, the RTQ1950/RTQ1950A has a resistance cancellation feature, making it beneficial to use in noisy environments. It allows a low pass filter to be placed between the RTQ1950/RTQ1950A and the remote transistor using two 150Ω resistors and a 1nF capacitor, as shown in the figure below. The series resistance cancellation removes the effect of any resistance in series with the remote transistor. This low-pass filter reduces both common and differential modes noises.

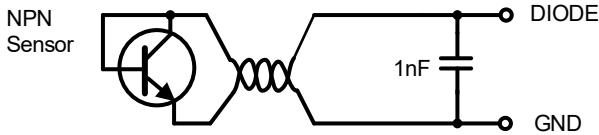


Figure 8. Connection of NPN Sensor to Device

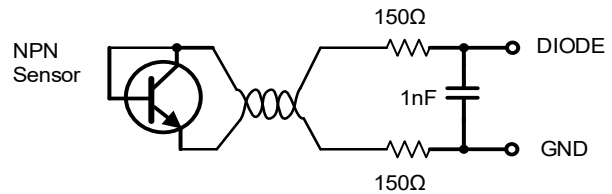


Figure 9. Connection of NPN Sensor through Low-Pass Filter

The RTQ1950/RTQ1950A periodically sources 10μA, 60μA and 160μA current pulses out of the DIODE pin and measures the temperature by measuring the voltage at the DIODE pin. For accurate temperature measurements, it is required the VIN be in the recommended operating range of 10V to 80V. The temperature can be read using the READ_TEMPERATURE_1 (8Dh) PMBus command. By default, the temperature fault and warning thresholds of the RTQ1950/RTQ1950A are set to 256°C and are effectively disabled. These thresholds can be reprogrammed through the PMBus interface using the OT_WARN_LIMIT (51h) and OT_FAULT_LIMIT (4Fh) commands. After the OT fault, the GATE is latched off and requires manual restart. The status of OT fault and warning can be checked using STATUS_WORD (79h), STATUS_TEMPERATURE (7Dh), and READ_DIAGNOSTIC_WORD (E1h). If the temperature measurement and protection capability of the RTQ1950/RTQ1950A are not used, the DIODE pin should be grounded.

17.12 MOSFET Health Monitoring

The RTQ1950/RTQ1950A monitors the health condition of an external series-pass MOSFET for two different scenarios: FET SHORT and FET BAD. For the FET SHORT scenario, the RTQ1950/RTQ1950A checks for a shorted MOSFET condition at the end of the insertion time (POR_{IT}) while the GATE pin is low. If the voltage across R_{SNS} is greater than 4mV or if the MOSFET V_{DS} < 6V FET SHORT is declared. In this condition, the EXT_MOSFET_SHORT bit in the STATUS_MFR_SPECIFIC (80h) and READ_DIAGNOSTIC_WORD (E1h) registers are toggled high and the $\overline{\text{SMBA}}$ pin is asserted unless this feature is disabled using the ALERT_MASK register (D8h).

For the FET BAD scenario, the RTQ1950/RTQ1950A checks FET BAD during normal operation after PG is

asserted high. FET BAD is detected if the MOSFET gate current exceeds I_{GATE} source current (typically $20\mu A$) or if $V_{DS} > 4.2V$. If the FET BAD scenario remains for 100ms, PG is pulled low, and the FET_FAULT bit in the STATUS_MFR_SPECIFIC (80h) register is toggled high, and the \overline{SMBA} pin is asserted unless this feature is disabled using the ALERT_MASK register (D8h). On a FET BAD fault, the GATE is latched off and requires manual restart. FET BAD is disabled while the RTQ1950/RTQ1950A is in the active current/power regulation.

17.13 Power-Limit Power-Up Sequence

During start-up, as the input voltage V_{IN} increases, the RTQ1950/RTQ1950A initially holds the GATE off using 200mA pulldown current. Once the V_{IN} reaches the POR_IT threshold of 7.8V, the insertion timer starts by charging C_{TIMER} with $4.8\mu A$. At the end of insertion timer (when TIMER voltage reaches 3.8V), the RTQ1950/RTQ1950A checks for V_{IN} voltage to be within the UVLO and OVLO operating thresholds, above the UVLO threshold, and for any FET SHORT fault. If there is no fault, the external MOSFET is enabled and C_{TIMER} is quickly discharged with 1.5mA internal current sink.

The external MOSFET is turned on with a $20\mu A$ current source to charge the GATE capacitance. As the MOSFET is turning on and V_{OUT} is increasing, the RTQ1950/RTQ1950A monitors the inrush current and power dissipation in the MOSFET to actively control the GATE using current/power limit control circuits. When in current/power limit modes (interval t_2 and t_3), C_{TIMER} is charged using $75\mu A$ current source. If the current/power limit mode ends before the end of the Fault Timeout Period (when TIMER voltage reaches 3.8V), C_{TIMER} is discharged using $2.5\mu A$ current sink and the RTQ1950/RTQ1950A resumes normal operation. If the current/power limit mode does not end before the Fault Timeout Period, a fault is declared and the external MOSFET is shut down using 4.8mA current sink at the GATE pin. The GATE pin is latched low until the power-up sequence is initiated again either automatically ($\overline{RETRY} = GND/float$) or through external power cycle ($\overline{RETRY} = VDD$).

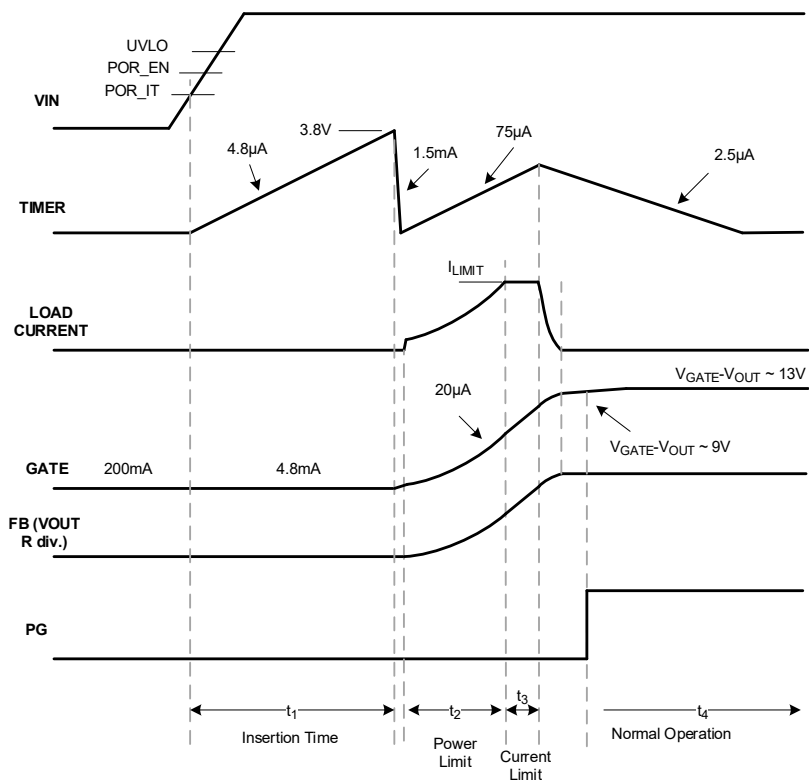


Figure 10. Startup Into Power/Current Limit Mode (No-Load)

17.14 Slew Rate Limited Power-Up Sequence

In applications with large maximum load current and/or large output capacitance (C_{OUT}), starting into power limit may put significant stress on the external MOSFET and make the design impractical. Larger load current means smaller current sense resistor that leads to larger minimum power limit. And larger load capacitance means longer startup time and therefore a longer timer for faults such as short circuit. This will require a MOSFET with a bigger SOA curve to support high power limits for a longer period of time that may not be practical. To solve this issue, a capacitor from GATE to GND can be used to limit the V_{OUT} slew rate and keep the inrush current (I_{INRUSH}) low.

$$C_{GATE} = \frac{I_{GATE}}{I_{INRUSH}} \times C_{OUT}$$

where C_{GATE} is the total GATE capacitance including parasitic capacitances, and I_{GATE} is the GATE pull-up source current of 20μA. A limited slew rate can reduce the stress on the MOSFET by extending the startup time and spreading the power dissipation in the MOSFET for a longer period of time while the timer is off.

During start-up, after V_{IN} has passed POR_EN of 8.6V, the RTQ1950/RTQ1950A asserts the DEFAULTS_LOADED bit in the STATUS_MFR_SPECIFIC (80h) to indicate that the volatile memory and device settings are in their default state. The CONFIG_PRESET bit within the READ_DIAGNOSTIC_WORD register (E1h) indicates the default configuration of warning thresholds and device operation and remains high until a CLEAR_FAULTS (03h) command is received.

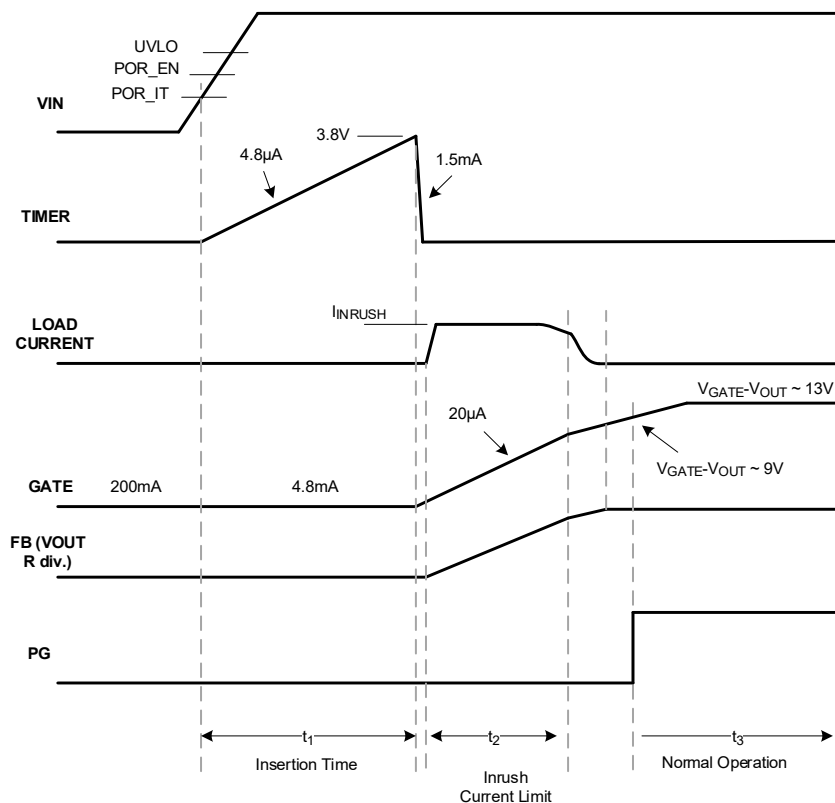


Figure 11. dV/dt Slew Rate Limited Soft-start (No-Load)

17.15 Gate Control

To charge the external MOSFET gate capacitance, the RTQ1950/RTQ1950A sources 20µA current out of the GATE pin with an internal charge pump. The peak voltage of the charge pump is 15V, and in normal operation, the MOSFET’s gate-source voltage is held sufficiently above 10V for the lowest R_{DS(on)}. The GATE-OUT is internally limited to 15.6V to protect the external MOSFET’s gate-source oxide from exceeding 20V in transient conditions. In some scenarios, the RTQ1950/RTQ1950A needs to discharge the gate charge and modulate or turn off the MOSFET. During start-up, before V_{IN} reaches POR_IT, the GATE is held low using 200mA current sink, and during insertion time, the GATE is held low using 4.8mA current sink. During current/power limit modes, the GATE is modulated to keep the current/power within the limits.

17.16 Fault Timer

During current/power limit control, the C_{TIMER} is charged using 75µA current source, and the Fault Timeout Period (t_{FLT}) begins. If the current/power modes end before the TIMER pin reaches the upper threshold V_{RH} of 3.8V, the C_{TIMER} is discharged by 2.5µA current sink and the RTQ1950/RTQ1950A resumes operation.

Otherwise, a fault is declared, the GATE pin pulls low using 4.8mA current sink, and C_{TIMER} gets discharged using 2.5µA current sink. The GATE will be held low until a subsequent restart is performed depending on the $\overline{\text{RETRY}}$ settings. The Fault Timeout Period can be determined by:

$$t_{\text{FLT}} = \frac{C_{\text{TIMER}} \times V_{\text{TMRH}}}{I_{\text{TIMER}}} = \frac{C_{\text{TIMER}} \times 3.8\text{V}}{75\mu\text{A}}$$

17.17 $\overline{\text{PROCHOT}}$ Output

The RTQ1950/RTQ1950A has an early warning feature that lets the system management know that the current and/or power is too high so that the system takes proper action, such as reducing the load current. Without proper action, the TIMER will time out and the RTQ1950/RTQ1950A will shut down the external MOSFET and the output will decrease to 0V. The warning is provided using the VAUX pin, which can be set as $\overline{\text{PROCHOT}}$ using the relevant bit in the MFR_ADV_CFG_STATUS (F1h) register. The $\overline{\text{PROCHOT}}$ is kept deasserted (pulled high) during insertion time. It asserts 100µs after the RTQ1950/RTQ1950A enters into power/current limit during normal operation, and deasserts immediately after the power/current limits are over.

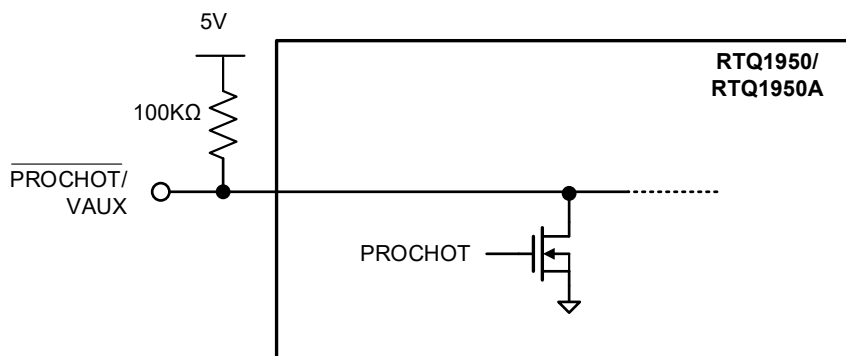


Figure 12. The PROCHOT Function can be Assigned on the VAUX Pin using PMBus

17.18 Restart and Cooldown Time

If $\overline{\text{RETRY}} = \text{VDD}$, no restart will be attempted, and the GATE is pulled low using 4.8mA current until the RTQ1950/RTQ1950A is externally restarted by either power cycling V_{IN} or momentarily pulling UVLO/EN low. The TIMER_LATCHED_OFF bit in the READ_DIAGNOSTIC_WORD (E1h) register remains high while the latched off condition persists.

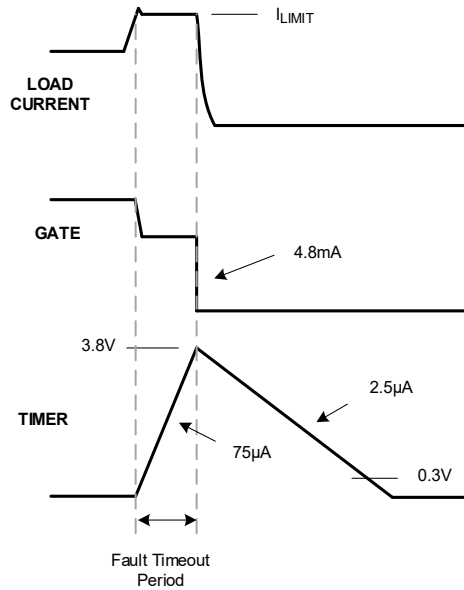


Figure 13. Fault Timer and No Restart Attempt, $\overline{\text{RETRY}} = \text{VDD}$

If $\overline{\text{RETRY}} = \text{VREF}$, the RTQ1950/RTQ1950A will restart 8 times, and if $\overline{\text{RETRY}} = \text{GND/float}$, the RTQ1950/RTQ1950A will restart infinitely. Finer restart attempt counts can be selected by setting the appropriate bits in the DEVICE_SETUP (D9h) register. Each restart attempt consists of 8 cycles of the TIMER pin voltage cycling between 3.8V and 1.2V, with the period of each cycle depending on C_{TIMER}. During the restart attempt, the GATE is held low using 4.8mA sink current.

Before each restart attempt, the TIMER pin voltage must fall below 0.3V before the next restart is attempted.

After the 8th cycle, and when the TIMER voltage drops <0.3V, the GATE is charged using 20µA current source, and the external MOSFET is turned on. If a fault still exists, the same sequence repeats.

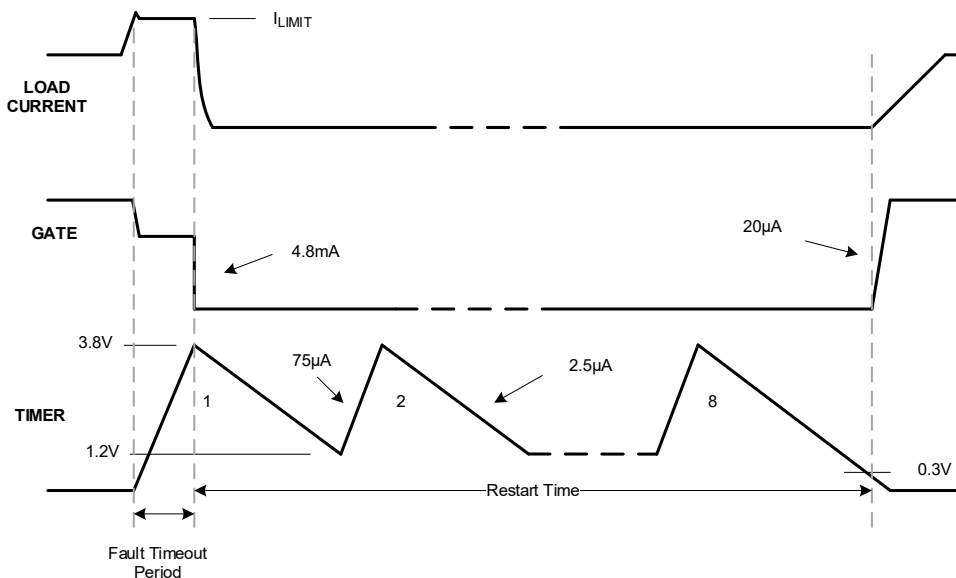


Figure 14. Single Restart Attempt, DEVICE_SETUP (D9h [7:5]) = [010]

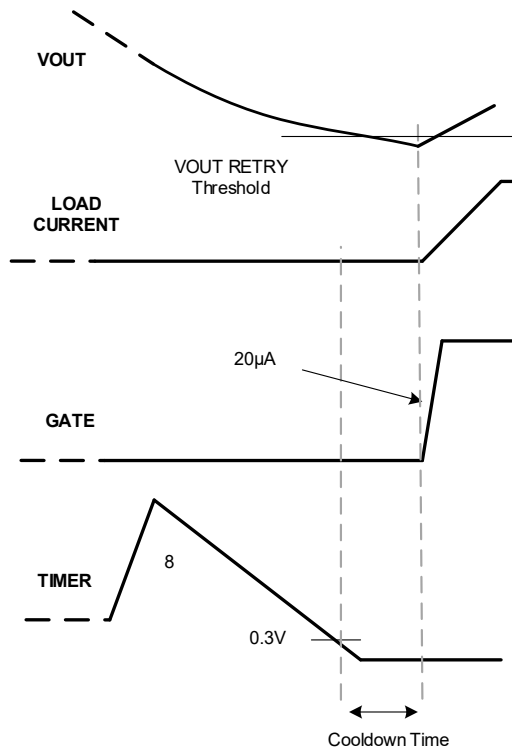


Figure 15. Cooldown Time and VOUT UV RETRY Threshold

In some high power scenarios where the device and external MOSFET temperatures are high and/or large capacitance exists on the output, it may be beneficial to wait, after the 8th restart attempt, to allow the external MOSFET to cool down, and/or the output voltage to drop below a certain threshold before enabling the MOSFET again. The cooldown time after the last restart attempt can be set through the MFR_ADV_COOLDOWN_TIME (F5h) register. And the output voltage threshold where the part will not restart until the VOUT drops below it can be set using VOUT_UV_RETRY_THRESHOLD (EFh).

17.19 Power Cycle

When operating in any state, the RTQ1950/RTQ1950A power cycle feature turns off the power flow through the external MOSFET and allows it to turn back on after a certain period. When a power cycle command is issued through the PMBus POWER_CYCLE (FBh) register, the RTQ1950/RTQ1950A pulls down the GATE using 4.8mA current and the TIMER pin using 2.5µA current. If the PG is asserted, it will deassert after 10µs. The device then waits for a power cycle time between 0s to 65s defined by the MFR_ADV_PWRCYCLE_TIME (F2H) register. When the timer ends, the RTQ1950/RTQ1950A will attempt to restart. An extra condition can be applied before starting the power cycle timer by monitoring the VOUT voltage if it is less than a value defined by VOUT_UV_RETRY_THRESHOLD (EFh). This extra condition can be enabled by setting the relevant bit in the MFR_ADV_CFG_STATUS (F1h) register.

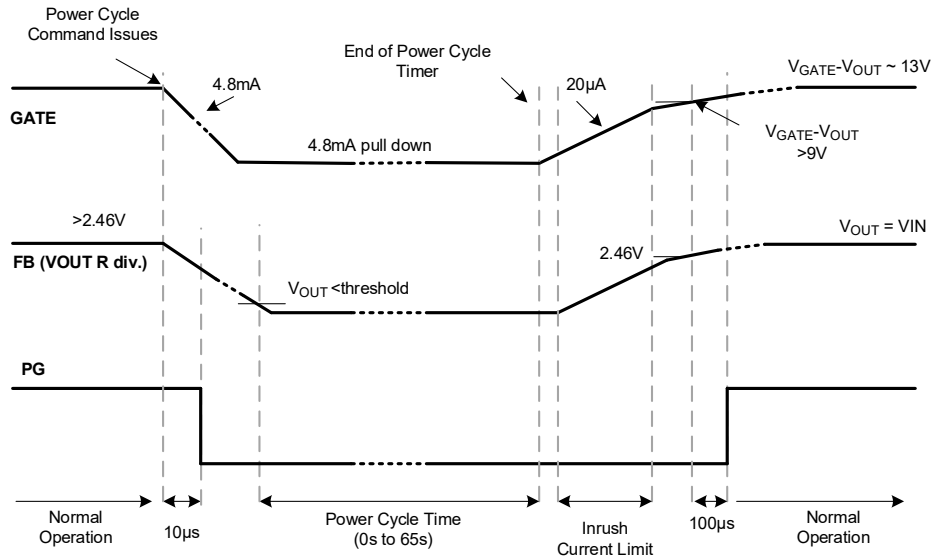


Figure 16. Power Cycle Timing Diagram Example, Restarting Into dV/dt Mode, Time not to Scale

17.20 Enable/Disable, Shutdown and Reset Control

During normal operation, the output can be disabled by pulling the UVLO/EN pin or the OVLO pin below or above their thresholds, respectively. To remotely shut down the load current, the UVLO/EN pin can be pulled low with an open-drain or open-collector device connected to the pin. When UVLO/EN is released, the RTQ1950/RTQ1950A enables the GATE. When in a latched-off state after a fault, there are a few ways to manually restart the device, such as toggling UVLO/EN from low to high, power cycling VIN below/above the POR_EN threshold, changing the PMBus OPERATION (01h) register from OFF to ON, or power cycling through the POWER_CYCLE (FBh) register. The user-stored register settings data are preserved even after the output is disabled. The output may also be enabled or disabled by using the OPERATION (01h) register.

Note 15. The information provided in this section is for reference only. The customer is solely responsible for designing, validating, and testing any applications incorporating Richtek’s product(s). The customer is also responsible for applicable standards and any safety, security, or other requirements.

18 Functional Register Description

18.1 PMBus Commands Overview

Code	Command Name	Description	R/W	Byte	Default
01h	OPERATION	Hotswap operation enable/disable	RW	1	80h
03h	CLEAR_FAULTS	Clears fault (non-active) and warning bits in all registers	W	0	-
19h	CAPABILITY	Retrieves the device capability	R	1	D0h
43h	VOUT_UV_WARN_LIMIT	Retrieves or stores output undervoltage warning threshold for the VOUT pin measurement	RW	2	0000h
4Fh	OT_FAULT_LIMIT	Retrieves or stores overtemperature fault threshold	RW	2	0FFFh
51h	OT_WARN_LIMIT	Retrieves or stores overtemperature warning threshold	RW	2	0FFFh
57h	VIN_OV_WARN_LIMIT	Retrieves or stores input overvoltage warning threshold	RW	2	0FFFh
58h	VIN_UV_WARN_LIMIT	Retrieves or stores input undervoltage warning threshold	RW	2	0000h
5Dh	IIN_OC_WARN_LIMIT	Retrieves or stores input overcurrent warning (mirror of command D3h)	RW	2	0FFFh
78h	STATUS_BYTE	Retrieves information about device operating status	R	1	00h
79h	STATUS_WORD	Retrieves information about device operating status	R	2	0000h
7Ah	STATUS_VOUT	Retrieves information about device output voltage status	R	1	00h
7Ch	STATUS_INPUT	Retrieves information about device input status	R	1	00h
7Dh	STATUS_TEMPERATURE	Retrieves information about temperature status	R	1	00h
7Eh	STATUS_CML	Retrieves information about communication status	R	1	00h
7Fh	STATUS_OTHER	Retrieves other status information	R	1	00h
80h	STATUS_MFR_SPECIFIC	Retrieves information about external MOSFET fault and device circuit breaker and internal die temperature	R	1	10h
86h	READ_EIN	Retrieves energy monitoring measurement	R	6	00h 00h 00h 00h 00h 00h
88h	READ_VIN	Retrieves input voltage measurement	R	2	0000h
89h	READ_IIN	Retrieves input current measurement (mirror of command D1h)	R	2	0000h
8Bh	READ_VOUT	Retrieves output voltage measurement	R	2	0000h
8Dh	READ_TEMPERATURE_1	Retrieves temperature measurement from DIODE pin	R	2	0000h
8Eh	READ_TEMPERATURE_2	Retrieves internal die temperature measurement	R	2	00h
97h	READ_PIN	Retrieves average input power measurement (mirror of command D2h and DFh)	R	2	00h
98h	PMBUS_REVISION	Retrieves PMBus revision	R	1	22h
99h	MFR_ID	Retrieves manufacturer ID	R	3	"RTK"
9Ah	MFR_MODEL	Retrieves part number	R	8	"RTQ1950\0"

Code	Command Name	Description	R/W	Byte	Default
9Bh	MFR_REVISION	Retrieves part revision	R	2	RTQ1950: "10" RTQ1950A: "20"
D0h	READ_VAUX	Retrieves AUX pin voltage measurement	R	2	0000h
D1h	READ_IIN	Mirror of 89h	R	2	0000h
D2h	READ_PIN	Mirror of 97h and DFh	R	2	0000h
D3h	MFR_IIN_OC_WARN_LIMIT	Retrieves or stores input current warning threshold (mirror of command 5Dh)	RW	2	0FFFh
D4h	PIN_OP_WARN_LIMIT	Retrieves or stores input power limit warning threshold	RW	2	0FFFh
D5h	READ_PIN_PEAK	Retrieves peak input power measurement	R	2	0000h
D6h	CLEAR_PIN_PEAK	Clears the peak power measurement register	W	0	-
D7h	GATE_MASK	Allows to disable MOSFET shutdown for different faults	RW	1	00h
D8h	ALERT_MASK	Retrieves or stores user SMBA fault mask	RW	2	FD20h
D9h	DEVICE_SETUP	Retrieves or stores device settings about RETRY attempts, CL settings and CB ratio	RW	1	00h
DAh	BLOCK_READ	Retrieves most recent telemetry and diagnostic information	R	12	0880h 0000h 0000h 0000h 0000h 0000h
DBh	SAMPLES_FOR_AVG	Number of samples to be averaged (AVG=2^SAMPLES_FOR_AVERAGE). Also the average register update period (ms). Range from 00h to 0Ch.	RW	1	08h
DCh	READ_AVG_VIN	Retrieves average input voltage measurement	R	2	0000h
DDh	READ_AVG_VOUT	Retrieves average output voltage measurement	R	2	0000h
DEh	READ_AVG_IIN	Retrieves average input current measurement	R	2	0000h
DFh	READ_AVG_PIN	Retrieves average input power measurement (mirror of command 97h and D2h)	R	2	0000h
E0h	BLACK_BOX_READ	Retrieves telemetry and diagnostic data latched on the first assertion of SMBA	R	12	0000h 0000h 0000h 0000h 0000h 0000h
E1h	READ_DIAGNOSTIC_WORD	MFR specific parallel of the STATUS_WORD to convey all FAULT/WARN data in a single transaction	R	2	0880h
E2h	AVG_BLOCK_READ	Retrieves most recent average telemetry and diagnostic information in a single transaction	R	12	0880h 0000h 0000h 0000h 0000h 0000h
EDh	READ_IIN_PEAK	Records or retrieves the peak value of READ_IIN	RW	2	0000h
EEh	READ_IIN_MIN	Records or retrieves the minimal value of READ_IIN	RW	2	0FFFh

Code	Command Name	Description	R/W	Byte	Default
EFh	VOUT_UV_RETRY_THRESHOLD	Retrieves or stores the voltage value that VOUT has to drop below it before retry can be attempted	RW	2	0FFFh
F0h	MFR_CL_THRESHOLD	Retrieves or stores the CL threshold in mV	RW	1	00h
F1h	MFR_ADV_CFG_STATUS	Configures the device settings	RW	2	00h
F2h	MFR_ADV_PWRCYCLE_TIME	Retrieves or stores the duration of power cycle timer	RW	2	2710h
F3h	MFR_ADV_RETRY_TIME_OUT	Retrieves or stores the time limit duration of fault retry	RW	2	0000h
F5h	MFR_ADV_COOLDOWN_TIME	Retrieves or stores the cooldown time in ms before each subsequent retry attempt	RW	2	0000h
F6h	MFR_TELEM_CFG	Configures the device telemetry settings	RW	2	005Fh
F9h	MFR_HOTSWAP_STATU S	Retrieves the current status of hotswap	RW	3	00000Fh
FBh	POWER_CYCLE	Causes the hotswap to shut down and remain off for the period defined by F2h	WO	0	-

18.2 Data Format for Reading and Writing Telemetry and Fault/Warning Thresholds

The RTQ1950/RTQ1950A uses the DIRECT format to read and write telemetry data and warning/fault thresholds, as described in section 7.4.1 of PMBus Power System Management Protocol Specification 1.4 (Part II). Conversion of current, temperature, voltage, and power from DIRECT format to real-world units is performed by the host system using the appropriate coefficients listed in the table below and using the following equation:

$$X = \frac{1}{m} (Y \times 10^{-R} - b)$$

where

- X, is the calculated, real-world value in the appropriate units (A, V, °C, W)
- m, the slope coefficient, is a two-byte, two's complement integer
- Y, is a two-byte, two's complement integer received from the PMBus device
- b, the offset, is a two-byte, two's complement integer
- R, the exponent, is a one-byte, two's complement integer

Commands	Condition	Format	Bytes	m	b	R	Unit
VIN_OV_WARN_LIMIT VIN_UV_WARN_LIMIT READ_VIN READ_AVG_VIN		DIRECT	2	4617	-140	-2	V
READ_VOUT READ_AVG_VOUT VOUT_UV_WARN_LIMIT VOUT_UV_RETRY_THRESHOLD		DIRECT	2	4602	500	-2	V
READ_VAUX		DIRECT	2	13774	73	-1	V
READ_IIN READ_AVG_IIN READ_IIN_PEAK READ_IIN_MIN IIN_OC_WARN_LIMIT	CL<33mV	DIRECT	2	15076	-503.9	-2	A ⁽¹⁶⁾
READ_IIN READ_AVG_IIN READ_IIN_PEAK READ_IIN_MIN IIN_OC_WARN_LIMIT	CL≥33mV	DIRECT	2	7645	100	-2	A ⁽¹⁶⁾
READ_PIN READ_AVG_PIN PIN_OP_WARN_LIMIT READ_PIN_PEAK	CL<33mV	DIRECT	2	1701	-4000	-3	W ⁽¹⁶⁾
READ_PIN READ_AVG_PIN PIN_OP_WARN_LIMIT READ_PIN_PEAK	CL≥33mV	DIRECT	2	860.6	-965	-3	W ⁽¹⁶⁾
OT_FAULT_LIMIT OT_WARN_LIMIT READ_TEMPERATURE_1 READ_TEMPERATURE_2		DIRECT	2	16000	0	-3	°C

Note 16. Marked with ⁽¹⁶⁾ indicates: The coefficients listed for power/current measurements are normalized based on R_{SESNE} of 1mΩ.

For registers that accept writing data, the same coefficients can be used to determine the Y value from real-world data as follows:

$$Y = (mX+b) \times 10^R$$

where

- X, is the calculated, real-world value in the appropriate units (A, V, °C, W)
- m, the slope coefficient, is a two-byte, two's complement integer
- Y, is a two-byte, two's complement integer received from the PMBus device
- b, the offset, is a two-byte, two's complement integer
- R, the exponent, is a one-byte, two's complement integer

18.3 PMBus Address Lines (ADR0, ADR1, and ADR2)

The tri-state address lines of ADR0, ADR1, and ADR2 can be set to high (VDD), low (connect to GND), or left floating (high impedance Z) to select one of the 27 addresses for communicating with the RTQ1950/RTQ1950A, as shown in the table below. Each address is 7-bit (bits 0 to 6), with the eighth bit being the read/write bit.

ADR2	ADR1	ADR0	Decoded Address
Z	Z	Z	40h
Z	Z	GND	41h
Z	Z	VDD	42h
Z	GND	Z	43h
Z	GND	GND	44h
Z	GND	VDD	45h
Z	VDD	Z	46h
Z	VDD	GND	47h
Z	VDD	VDD	10h
GND	Z	Z	11h
GND	Z	GND	12h
GND	Z	VDD	13h
GND	GND	Z	14h
GND	GND	GND	15h
GND	GND	VDD	16h
GND	VDD	Z	17h
GND	VDD	GND	50h
GND	VDD	VDD	51h
VDD	Z	Z	52h
VDD	Z	GND	53h
VDD	Z	VDD	54h
VDD	GND	Z	55h
VDD	GND	GND	56h
VDD	GND	VDD	57h
VDD	VDD	Z	58h
VDD	VDD	GND	59h
VDD	VDD	VDD	5Ah

18.4 PMBus Command Descriptions

18.4.1 Standard PMBus Commands

Operation (01h)

Command Code: 01h
 Description: It is a standard PMBus command that switches the MOSFET on and off under host control. It is also used to re-enable the MOSFET after a fault triggered shutdown. Writing an OFF command, followed by an ON command, clears all faults and re-enables the device. Writing only an ON after a fault-triggered shutdown does not clear the fault registers or re-enable the device.

Name	OPERATION							
Format	Read/Write Byte							
Bits	Bit 7	Bit 6	Bit 5	Bit 4	Bit 3	Bit 2	Bit 1	Bit 0
Read/Write	RW	R	R	R	R	R	R	R
Default Value	0x1	0x00						
Bits	Name		Description					
[7]	ON		Hot Swap Enable 0 Hot swap output disabled 1 Hot swap output enabled					
[6:0]	Reserved		Always reads 0					

CLEAR_FAULTS (03h)

Command Code: 03h
 Description: It is a standard PMBus command that resets all stored warning and fault flags and the SMBA signal. If a fault or warning condition still exists when the CLEAR_FAULTS command is issued, the SMBA signal may not clear or re-asserts almost immediately. Issuing a CLEAR_FAULTS command does not cause the MOSFET to switch back on in the event of a fault turnoff; that must be done by issuing an OPERATION command after the fault condition is cleared.

Name	CLEAR_FAULTS							
Format	Send Byte							
Bits	Bit 7	Bit 6	Bit 5	Bit 4	Bit 3	Bit 2	Bit 1	Bit 0
Read/Write	W	W	W	W	W	W	W	W
Default Value								
Bits	Name		Description					
NA	CLEAR_FAULTS		Clears fault and warning bits in all the status registers. Any faults that are still active and not cleared will remain set.					

CAPABILITY (19h)

Command Code: 19h
 Description: It is a standard PMBus command that provides some of key capabilities of the RTQ1950/RTQ1950A device.

Name	CAPABILITY							
Format	Read Byte							
Bits	Bit 7	Bit 6	Bit 5	Bit 4	Bit 3	Bit 2	Bit 1	Bit 0
Read/Write	R	R	R	R	R	R	R	R
Default Value	0x1	0x2		0x1	0x0			
Bits	Name		Description					
[7]	PEC_SUPPORT		Packet error correction (PEC) support					
[6:5]	MAX_BUS_SPEED		Maximum bus interface speed. Always reads 2 (maximum bus					

		speed is 1MHz).
[4]	SMBALERT_SUPPORT	Always reads 1 (the device does have a $\overline{\text{SMBA}}$ pin and does support the SMBus Alert Response protocol).
[3:0]	RESERVED	

VOUT_UV_WARN_LIMIT (43h)

Command Code: 43h
Description: It is a standard PMBus command that allows to set and read the VOUT undervoltage warning threshold.

Name	VOUT_UV_WARN_LIMIT															
Format	Read/Write Word															
Bits	Bit 15	Bit 14	Bit 13	Bit 12	Bit 11	Bit 10	Bit 9	Bit 8	Bit 7	Bit 6	Bit 5	Bit 4	Bit 3	Bit 2	Bit 1	Bit 0
Read/Write	R	R	R	R	RW	RW	RW	RW	RW	RW	RW	RW	RW	RW	RW	RW
Default Value	0				0x000											
Bits	Name				Description											
[15:12]	Reserved				Reserved											
[11:0]	VOUT_UV_WARN_LIMIT				Undervoltage warning threshold for the VOUT pin measurement, expressed in direct format. A value of 0 is disabled.											

OT_FAULT_LIMIT (4Fh)

Command Code: 4Fh
Description: It is a standard PMBus command that sets and reads the overtemperature fault detection threshold.

Name	OT_FAULT_LIMIT															
Format	Read/Write Word															
Bits	Bit 15	Bit 14	Bit 13	Bit 12	Bit 11	Bit 10	Bit 9	Bit 8	Bit 7	Bit 6	Bit 5	Bit 4	Bit 3	Bit 2	Bit 1	Bit 0
Read/Write	R	R	R	R	RW	RW	RW	RW	RW	RW	RW	RW	RW	RW	RW	RW
Default Value	0				0xFFFF											
Bits	Name				Description											
[15:12]	Reserved				Reserved											
[11:0]	OT_FAULT_LIMIT				Overtemperature fault threshold for the DIODE pin measurement, expressed in direct format.											

OT_WARN_LIMIT (51h)

Command Code: 51h
Description: It is a standard PMBus command that sets and reads the overtemperature warning detection threshold.

Name	OT_WARN_LIMIT															
Format	Read/Write Word															
Bits	Bit 15	Bit 14	Bit 13	Bit 12	Bit 11	Bit 10	Bit 9	Bit 8	Bit 7	Bit 6	Bit 5	Bit 4	Bit 3	Bit 2	Bit 1	Bit 0
Read/Write	R	R	R	R	RW	RW	RW	RW	RW	RW	RW	RW	RW	RW	RW	RW
Default Value	0				0xFFFF											
Bits	Name				Description											
[15:12]	Reserved				Reserved											
[11:0]	OT_WARN_LIMIT				Overtemperature warning threshold for the DIODE pin measurement, expressed in direct format.											

VIN_OV_WARN_LIMIT (57h)

Command Code: 57h																
Description: It is a standard PMBus command that sets and reads the VIN overvoltage warning threshold.																
Name	VIN_OV_WARN_LIMIT															
Format	Read/Write Word															
Bits	Bit 15	Bit 14	Bit 13	Bit 12	Bit 11	Bit 10	Bit 9	Bit 8	Bit 7	Bit 6	Bit 5	Bit 4	Bit 3	Bit 2	Bit 1	Bit 0
Read/Write	R	R	R	R	RW	RW	RW	RW	RW	RW	RW	RW	RW	RW	RW	RW
Default Value	0				0xFFFF											
Bits	Name				Description											
[15:12]	Reserved				Reserved											
[11:0]	VIN_OV_WARN_LIMIT				Overvoltage warning threshold for the OVLO pin measurement, expressed in direct format. 0xFFFF is disabled											

VIN_UV_WARN_LIMIT (58h)

Command Code: 58h																
Description: It is a standard PMBus command that sets and reads the VIN undervoltage warning threshold.																
Name	VIN_UV_WARN_LIMIT															
Format	Read/Write Word															
Bits	Bit 15	Bit 14	Bit 13	Bit 12	Bit 11	Bit 10	Bit 9	Bit 8	Bit 7	Bit 6	Bit 5	Bit 4	Bit 3	Bit 2	Bit 1	Bit 0
Read/Write	R	R	R	R	RW	RW	RW	RW	RW	RW	RW	RW	RW	RW	RW	RW
Default Value	0				0x000											
Bits	Name				Description											
[15:12]	Reserved				Reserved											
[11:0]	VIN_UV_WARN_LIMIT				Undervoltage warning threshold for the EN/UVLO pin measurement, expressed in direct format. 0x000 is disabled											

IIN_OC_WARN_LIMIT (5Dh)

Command Code: 5Dh																
Description: It is a standard PMBus command that sets and reads the input overcurrent warning threshold.																
Name	IIN_OC_WARN_LIMIT															
Format	Read/Write Word															
Bits	Bit 15	Bit 14	Bit 13	Bit 12	Bit 11	Bit 10	Bit 9	Bit 8	Bit 7	Bit 6	Bit 5	Bit 4	Bit 3	Bit 2	Bit 1	Bit 0
Read/Write	R	R	R	R	RW	RW	RW	RW	RW	R W	RW	RW	RW	RW	RW	RW
Default Value	0				0xFFFF											
Bits	Name				Description											
[15:12]	Reserved				Reserved											
[11:0]	IIN_OC_WARN_LIMIT				IRSNS overcurrent warning, expressed in direct format. A value of 0xFFFF disables. This is a mirror of command D3h											

STATUS_BYTE (78h)

Command Code: 78h								
Description: The STATUS_BYTE command returns one byte of information with a summary of the most critical faults.								
Name	STATUS_BYTE							
Format	Read Byte							
Bits	Bit 7	Bit 6	Bit 5	Bit 4	Bit 3	Bit 2	Bit 1	Bit 0
Read/Write	R	R	R	R	R	R	R	R
Default Value	0x0	0x0	0x0		0x0	0x0	0x0	0x0
Bits	Name		Description					
[7]	RESERVED							
[6]	HOTSWAP_OFF		Hot swap gate is off. This bit is live. 0: The hot swap gate drive output is enabled. 1: The hot swap gate drive output is disabled, and the GATE pin is pulled down. This can be due to, for example, an overcurrent fault that causes the device to latch off, and an undervoltage condition on the UV pin, or the use of the OPERATION command to turn the output off.					
[5:4]	RESERVED							
[3]	VIN_UV_FAULT		A VIN UV fault has occurred					
[2]	TEMP_FAULT		A temperature fault or warning has occurred					
[1]	CML_FAULT		A communication fault has occurred					
[0]	NONEABOVE_STATUS		A fault or warning not listed in bits [7:1] has occurred					

STATUS_WORD (79h)

Command Code: 79h																
Description: Returns two bytes of information with a summary of the unit's fault condition. Based on the information in these bytes, the controller can get more information by reading the appropriate status registers.																
Name	STATUS_WORD															
Format	Read Word															
Bits	Bit 15	Bit 14	Bit 13	Bit 12	Bit 11	Bit 10	Bit 9	Bit 8	Bit 7	Bit 6	Bit 5	Bit 4	Bit 3	Bit 2	Bit 1	Bit 0
Read/Write	R	R	R	R	R	R	R	R	R	R	R	R	R	R	R	R
Default Value	0	0	0	0	0	0	0	0x0	0	0x0	0	0	0	0	0	0
Bits	Name		Description													
[15]	VOUT_STATUS		An output voltage fault or warning has occurred													
[14]	Reserved															
[13]	INPUT_STATUS		An input voltage or current fault has occurred													
[12]	MFR_SPECIFIC		A STATUS_MFR_SPECIFIC fault has occurred other than CB_FAULT													
[11]	POWER_GOOD		The Power Good signal has been negated													
[10]	Reserved															
[9]	CB_Fault		Circuit breaker fault triggered													
[8:7]	Reserved															

[6]	HOTSWAP_OFF	Hot swap gate is off. This bit is live. 0: The hot swap gate drive output is enabled. 1: The hot swap gate drive output is disabled, and the GATE pin is pulled down. This can be due to, for example, an overcurrent fault that causes the device to latch off, and undervoltage condition on the UV pin, or the use of the OPERATION command to turn the output off.
[5:4]	Reserved	
[3]	VIN_UV_FAULT	A VIN UV fault has occurred
[2]	TEMP_FAULT	A temperature fault or warning has occurred
[1]	CML_FAULT	A communication fault has occurred
[0]	NONEABOVE_STATUS	A fault or warning not listed in bits [7:1] has occurred

STATUS_VOUT (7Ah)

Command Code: 7Ah								
Description: Returns one data byte with contents as follows.								
Name	STATUS_VOUT							
Format	Read Byte							
Bits	Bit 7	Bit 6	Bit 5	Bit 4	Bit 3	Bit 2	Bit 1	Bit 0
Read/Write	R	R	R	R	R	R	R	R
Default Value	0x0		0x0	0x0				
Bits	Name		Description					
[7:6]	RESERVED							
[5]	VOUT_UV_WARN							
[4:0]	RESERVED							

STATUS_INPUT (7Ch)

Command Code: 7Ch								
Description: Returns one data byte with contents as follows.								
Name	STATUS_INPUT							
Format	Read Byte							
Bits	Bit 7	Bit 6	Bit 5	Bit 4	Bit 3	Bit 2	Bit 1	Bit 0
Read/Write	R	R	R	R	R	R	R	R
Default Value	0x0	0x0	0x0	0x0	0x0	0x0	0x0	0x0
Bits	Name		Description					
[7]	VIN_OV_FAULT		A VIN OV fault has occurred					
[6]	VIN_OV_WARN		A VIN OV warning has occurred					
[5]	VIN_UV_WARN		A VIN UV warning has occurred. This flag defaults to 1 on startup, but is cleared to 0 after the first time the input voltage increases above the UVLO pin threshold.					
[4]	VIN_UV_FAULT		A VIN UV fault has occurred					
[3]	RESERVED							
[2]	IIN_OC_FAULT		An IIN OC fault has occurred					
[1]	IIN_OC_WARN		An IIN OC warning has occurred					
[0]	PIN_OP_WARN		A PIN OP warning has occurred					

STATUS_TEMPERATURE (7Dh)

Command Code: 7Dh								
Description: Returns one data byte with contents as follows.								
Name	STATUS_TEMPERATURE							
Format	Read Byte							
Bits	Bit 7	Bit 6	Bit 5	Bit 4	Bit 3	Bit 2	Bit 1	Bit 0
Read/Write	R	R	R	R	R	R	R	R
Default Value	0x0	0x0	0x0					
Bits	Name		Description					
[7]	OT_FAULT		An OT fault has occurred. If STATUS_MFR_SPECIFIC.INT_OT_TEMP_FAULT is also set, then this OT_FAULT was an internal die temp fault. Otherwise, an external OT_TEMP_FAULT was observed.					
[6]	OT_WARN		An OT warning has occurred					
[5:0]	RESERVED							

STATUS_CML (7Eh)

Command Code: 7Eh								
Description: Returns one data byte with contents as follows.								
Name	STATUS_CML							
Format	Read Byte							
Bits	Bit 7	Bit 6	Bit 5	Bit 4	Bit 3	Bit 2	Bit 1	Bit 0
Read/Write	R	R	R	R	R	R	R	R
Default Value	0x0	0x0	0x0	0x0	0x0	0x0	0x0	0x0
Bits	Name		Description					
[7]	INVALID_CMD		An invalid or unsupported command was received					
[6]	INVALID_DATA		Invalid or unsupported data was received					
[5]	PEC_ERROR		Packet error check failed					
[4:2]	RESERVED							
[1]	MISC_COM_FAULT		A miscellaneous communication fault has occurred					
[0]	MEM_ERROR		An OTP eFuse uncorrectable ECC error has occurred					

STATUS_OTHER (7Fh)

Command Code: 7Fh								
Description: Returns one data byte with contents as follows.								
Name	STATUS_OTHER							
Format	Read Byte							
Bits	Bit 7	Bit 6	Bit 5	Bit 4	Bit 3	Bit 2	Bit 1	Bit 0
Read/Write	R	R	R	R	R	R	R	R
Default Value	0x0		0x0	0x0				
Bits	Name		Description					
[7:6]	RESERVED							
[5]	CB_FAULT		A circuit breaker fault has occurred					
[4:0]	RESERVED							

STATUS_MFR_SPECIFIC (80h)

Command Code: 80h								
Description: Returns one data byte with contents as follows.								
Name	STATUS_MFR_SPECIFIC							
Format	Read Byte							
Bits	Bit 7	Bit 6	Bit 5	Bit 4	Bit 3	Bit 2	Bit 1	Bit 0
Read/Write	R	R	R	R	R	R	R	R
Default Value	0x0	0x0	0x0	0x1	0x0	0x0	0x0	
Bits	Name		Description					
[7]	CB_FAULT		A circuit breaker fault has occurred					
[6]	EXT_MOSFET_SHORT		External MOSFET shorted fault					
[5]	FET_FAULT		Vds or Vgs FET BAD fault					
[4]	DEFAULTS_LOADED		The default configuration has been loaded. Set on power up or if VREF is pulled to ground.					
[3]	PROCHOT		Sets if PROCHOT is asserted. Cannot assert SMBAlert#					
[2]	INT_OT_TEMP_FAULT		Set if internal die temp exceeds 150C.					
[1:0]	RESERVED							

READ_EIN (86h)

Command Code: 86h						
Description: Returns 6 bytes of information that can be used to calculate the input power on the device.						
Name	READ_EIN					
Format	Block Read					
Bits	Byte5	Byte4	Byte3	Byte2	Byte1	Byte0
Read/Write	R	R	R	R	R	R
Default Value	0x0	0x0	0x0	0x0	0x0	0x0
Bits	Name		Description			
[47:24]	SAMPLE_COUNT		24-bit unsigned integer that counts the number of samples of the instantaneous input power.			
[23:16]	ROLLOVER_COUNT		Unsigned integer byte that indicates the number of times the accumulator has rolled over from its maximum positive unsigned integer (7FFFh) to 0.			
[15:0]	ENERGY_COUNT		Accumulator output that continuously sums samples of the instantaneous input power.			

READ_VIN (88h)

Command Code: 88h																
Description: Returns the measured value of the input voltage.																
Name	READ_VIN															
Format	Read Word															
Bits	Bit 15	Bit 14	Bit 13	Bit 12	Bit 11	Bit 10	Bit 9	Bit 8	Bit 7	Bit 6	Bit 5	Bit 4	Bit 3	Bit 2	Bit 1	Bit 0
Read/Write	R	R	R	R	R	R	R	R	R	R	R	R	R	R	R	R
Default Value	0								0							
Bits	Name					Description										
[15:12]	RESERVED															
[11:0]	READ_VIN					12-bit unsigned number, expressed in direct format										

READ_IIN (89h)

Command Code: 89h																
Description: Returns the measured value of the input current.																
Name	READ_IIN															
Format	Read Word															
Bits	Bit 15	Bit 14	Bit 13	Bit 12	Bit 11	Bit 10	Bit 9	Bit 8	Bit 7	Bit 6	Bit 5	Bit 4	Bit 3	Bit 2	Bit 1	Bit 0
Read/Write	R	R	R	R	R	R	R	R	R	R	R	R	R	R	R	R
Default Value	0								0							
Bits	Name				Description											
[15:12]	RESERVED															
[11:0]	READ_IIN				12-bit unsigned number, expressed in direct format											

READ_VOUT (8Bh)

Command Code: 8Bh																
Description: Returns the measured value of the output voltage.																
Name	READ_VOUT															
Format	Read Word															
Bits	Bit 15	Bit 14	Bit 13	Bit 12	Bit 11	Bit 10	Bit 9	Bit 8	Bit 7	Bit 6	Bit 5	Bit 4	Bit 3	Bit 2	Bit 1	Bit 0
Read/Write	R	R	R	R	R	R	R	R	R	R	R	R	R	R	R	R
Default Value	0								0							
Bits	Name				Description											
[15:12]	RESERVED															
[11:0]	READ_VOUT				12-bit unsigned number, expressed in direct format.											

READ_TEMPERATURE_1 (8Dh)

Command Code: 8Dh																
Description: Returns the signed value of the temperature measured by the external temperature sense diode.																
Name	READ_TEMPERATURE_1															
Format	Read Word															
Bits	Bit 15	Bit 14	Bit 13	Bit 12	Bit 11	Bit 10	Bit 9	Bit 8	Bit 7	Bit 6	Bit 5	Bit 4	Bit 3	Bit 2	Bit 1	Bit 0
Read/Write	R	R	R	R	R	R	R	R	R	R	R	R	R	R	R	R
Default Value	0															
Bits	Name				Description											
[15:0]	READ_TEMPERATURE_1				16-bit signed number, expressed in direct format, limited to 0xF000 to 0x0FFF											

READ_TEMPERATURE_2 (8Eh)

Command Code: 8Eh																
Description: Returns the signed value of the measured internal die temperature.																
Name	READ_TEMPERATURE_2															
Format	Read Word															
Bits	Bit 15	Bit 14	Bit 13	Bit 12	Bit 11	Bit 10	Bit 9	Bit 8	Bit 7	Bit 6	Bit 5	Bit 4	Bit 3	Bit 2	Bit 1	Bit 0
Read/Write	R	R	R	R	R	R	R	R	R	R	R	R	R	R	R	R
Default Value	0															
Bits	Name					Description										
[15:0]	READ_TEMPERATURE_2					Internal die temp 16-bit signed number, expressed in direct format, limited to 0xF000 to 0x0FFF										

READ_PIN (97h)

Command Code: 97h																
Description: Returns the measured value of the input power.																
Name	READ_PIN															
Format	Read Word															
Bits	Bit 15	Bit 14	Bit 13	Bit 12	Bit 11	Bit 10	Bit 9	Bit 8	Bit 7	Bit 6	Bit 5	Bit 4	Bit 3	Bit 2	Bit 1	Bit 0
Read/Write	R	R	R	R	R	R	R	R	R	R	R	R	R	R	R	R
Default Value	0					0										
Bits	Name					Description										
[15:12]	RESERVED															
[11:0]	READ_PIN					12-bit unsigned number, expressed in direct format.										

PMBUS_REVISION (98h)

Command Code: 98h										
Description: Returns the revision of the PMBus to which the device is compliant.										
Name	PMBUS_REVISION									
Format	Read Byte									
Bits	Bit 7	Bit 6	Bit 5	Bit 4	Bit 3	Bit 2	Bit 1	Bit 0		
Read/Write	R	R	R	R	R	R	R	R		
Default Value	0x2				0x2					
Bits	Name				Description					
[7:4]	PART_I_REVISION				Compliant to PMBus Part I revision 1.2					
[3:0]	PART_II_REVISION				Compliant to PMBus Part II revision 1.2					

MFR_ID (99h)

Command Code: 99h			
Description: Returns the identification of the manufacturer.			
Name	MFR_ID		
Format	Block Read		
Bits	Byte2	Byte1	Byte0
Read/Write	R	R	R
Default Value	"RTK"		
Bits	Name	Description	
[23:0]	MFR_ID	ASCII string identifying manufacturer as Richtek (RTK).	

MFR_MODEL (9Ah)

Command Code: 9Ah								
Description: Returns the manufacturer's model number.								
Name	MFR_MODEL							
Format	Block Read							
Bits	Byte7	Byte6	Byte5	Byte4	Byte3	Byte2	Byte1	Byte0
Read/Write	R	R	R	R	R	R	R	R
Default Value	"RTQ1950\0"							
Bits	Name	Description						
[63:0]	MFR_MODEL	ASCII string identifying model as RTQ1950/RTQ1950A.						

MFR_REVISION (9Bh)

Command Code: 9Bh			
Description: Returns the manufacturer's revision number.			
Name	MFR_REVISION		
Format	Block Read		
Bits	Byte 1		Byte 0
Read/Write	R		R
Default Value	30h, "0"		31h, "1" or 32h, "2"
Bits	Name	Description	
[15:0]	MFR_REVISION	ASCII string identifying hardware revision. "20" = RTQ1950A "10" = RTQ1950	

18.4.2 MFR Specific PMBus Commands

READ_VAUX (D0h)

Command Code: D0h																
Description: Returns the measured value of VAUX.																
Name	READ_VAUX															
Format	Read Word															
Bits	Bit 15	Bit 14	Bit 13	Bit 12	Bit 11	Bit 10	Bit 9	Bit 8	Bit 7	Bit 6	Bit 5	Bit 4	Bit 3	Bit 2	Bit 1	Bit 0
Read/Write	R	R	R	R	R	R	R	R	R	R	R	R	R	R	R	R
Default Value	0				0											
Bits	Name				Description											
[15:12]	RESERVED															
[11:0]	READ_VAUX				12bit unsigned number, expressed in direct format.											

READ_IIN (D1h)

Command Code: D1h																
Description: Returns the measured value of the input current.																
Name	READ_IIN															
Format	Read Word															
Bits	Bit 15	Bit 14	Bit 13	Bit 12	Bit 11	Bit 10	Bit 9	Bit 8	Bit 7	Bit 6	Bit 5	Bit 4	Bit 3	Bit 2	Bit 1	Bit 0
Read/Write	R	R	R	R	R	R	R	R	R	R	R	R	R	R	R	R
Default Value	0				0											
Bits	Name				Description											
[15:12]	RESERVED															
[11:0]	READ_IIN				Mirror of 89h											

READ_PIN (D2h)

Command Code: D2h																
Description: Returns the measured value of the input power.																
Name	READ_PIN															
Format	Read Word															
Bits	Bit 15	Bit 14	Bit 13	Bit 12	Bit 11	Bit 10	Bit 9	Bit 8	Bit 7	Bit 6	Bit 5	Bit 4	Bit 3	Bit 2	Bit 1	Bit 0
Read/Write	R	R	R	R	R	R	R	R	R	R	R	R	R	R	R	R
Default Value	0				0											
Bits	Name				Description											
[15:12]	RESERVED															
[11:0]	READ_PIN				Mirror of 97h											

MFR_IIN_OC_WARN_LIMIT (D3h)

Command Code: D3h																
Description: Sets and reads the input overcurrent warning threshold.																
Name	MFR_IIN_OC_WARN_LIMIT															
Format	Read/Write Word															
Bits	Bit 15	Bit 14	Bit 13	Bit 12	Bit 11	Bit 10	Bit 9	Bit 8	Bit 7	Bit 6	Bit 5	Bit 4	Bit 3	Bit 2	Bit 1	Bit 0
Read/Write	R							RW								
Default Value	0							0xFFFF								
Bits	Name					Description										
[15:12]	RESERVED															
[11:0]	MFR_IIN_OC_WARN_LI MIT					IRSNS overcurrent warning, expressed in direct format. A value of 0xFFFF disables. Mirror of 5Dh										

PIN_OP_WARN_LIMIT (D4h)

Command Code: D4h																
Description: Sets the value of the input power, in watts, that causes a warning that the input power is high																
Name	PIN_OP_WARN_LIMIT															
Format	Read/Write Word															
Bits	Bit 15	Bit 14	Bit 13	Bit 12	Bit 11	Bit 10	Bit 9	Bit 8	Bit 7	Bit 6	Bit 5	Bit 4	Bit 3	Bit 2	Bit 1	Bit 0
Read/Write	R							RW								
Default Value	0							0xFFFF								
Bits	Name					Description										
[15:12]	RESERVED															
[11:0]	PIN_OP_WARN_LIMIT					Overpower warning threshold for the VIN × IIN power calculation, expressed in direct format.										

READ_PIN_PEAK (D5h)

Command Code: D5h																
Description: Returns the maximum value of input power.																
Name	READ_PIN_PEAK															
Format	Read Word															
Bits	Bit 15	Bit 14	Bit 13	Bit 12	Bit 11	Bit 10	Bit 9	Bit 8	Bit 7	Bit 6	Bit 5	Bit 4	Bit 3	Bit 2	Bit 1	Bit 0
Read/Write	R							R								
Default Value	0							0xFFFF								
Bits	Name					Description										
[15:12]	RESERVED															
[11:0]	READ_PIN_PEAK					Maximum value for IIN × VIN since reset or last clear, expressed in direct format.										

CLEAR_PIN_PEAK (D6h)

Command Code: D6h	
Description: Clears READ_PIN_PEAK	
Name	CLEAR_PIN_PEAK
Format	Send Byte

GATE_MASK (D7h)

Command Code: D7h								
Description: This register prevents specific fault conditions to turn off the MOSFET gate. This command has no effect on status registers and SMBA.								
CAUTION: Preventing the MOSFET from turning off following overcurrent and/or circuit breaker faults will likely results in destruction of the MOSFET. Care must be taken using this function.								
Name	GATE_MASK							
Format	Read/Write Byte							
Bits	Bit 7	Bit 6	Bit 5	Bit 4	Bit 3	Bit 2	Bit 1	Bit 0
Read/Write	RW	RW	RW	RW	RW	RW	R	RW
Default Value	0x0	0x0	0x0	0x0	0x0	0x0	0x0	0x0
Bits	Name		Description					
[7]	GATE_MASK_FETFAULT							
[6]	GATE_MASK_FETSHORT							
[5]	GATE_MASK_VIN_UV_FAULT							
[4]	GATE_MASK_VIN_OV_FAULT							
[3]	GATE_MASK_IIN_PFET_FAULT		Setting this bit does not inhibit power/current limiting function, it will prevent the MOSFET turn off upon TIMER timeout.					
[2]	GATE_MASK_OT_FAULT							
[1]	RESERVED							
[0]	GATE_MASK_CB_FAULT							

ALERT_MASK (D8h)

Command Code: D8h																
Description: This command allows to configure masking SMBA for specific fault or warning.																
Name	ALERT_MASK															
Format	Read/Write Word															
Bits	Bit 15	Bit 14	Bit 13	Bit 12	Bit 11	Bit 10	Bit 9	Bit 8	Bit 7	Bit 6	Bit 5	Bit 4	Bit 3	Bit 2	Bit 1	Bit 0
Read/Write	RW	RW	RW	RW	RW	RW	R	RW	RW	RW	RW	RW	RW	RW	RW	RW
Default Value	1	1	1	1	1	1	0	1	0	0	1	0	0	0	0	0
Bits	Name						Description									
[15]	ALERT_MASK_VOUT_UV_WARN															
[14]	ALERT_MASK_IIN_LIM_WARN															
[13]	ALERT_MASK_VIN_UV_WARN															
[12]	ALERT_MASK_VIN_OV_WARN															
[11]	ALERT_MASK_POWER_NOT_GOOD															
[10]	ALERT_MASK_OT_WARN															
[9]	RESERVED															
[8]	ALERT_MASK_OP_LIM_WARN															
[7]	ALERT_MASK_FET_FAULT															

[6]	ALERT_MASK_EXT_FET_SHORT	
[5]	ALERT_MASK_VIN_UV_FAULT	
[4]	ALERT_MASK_VIN_OV_FAULT	
[3]	ALERT_MASK_IIN_PFET_FAULT	
[2]	ALERT_MASK_OT_FAULT	Masks OT_FAULT and INT_OT_FAULT
[1]	ALERT_MASK_CML_FAULT	
[0]	ALERT_MASK_CB_FAULT	

DEVICE_SETUP (D9h)

Command Code: D9h								
Description: This command can be used to override pin settings to define the RTQ1950/RTQ1950A operation.								
Name	DEVICE_SETUP							
Format	Read/Write Byte							
Bits	Bit 7	Bit 6	Bit 5	Bit 4	Bit 3	Bit 2	Bit 1	Bit 0
Read/Write	RW		RW	RW	RW	RW	RW	RW
Default Value	0x0		0x0	0x0	0x0	0x0	0x0	0x0
Bits	Name			Description				
[7:5]	RETRY_SETTING			111 = Unlimited Retries 110 = Retry 16 times 101 = Retry 8 times 100 = Retry 4 times 011 = Retry 2 times 010 = Retry 1 times 001 = No Retries 000 = Pin configured retries				
[4]	CL_SETTING			0 = High setting (50mV) 1 = Low setting (26mV)				
[3]	CBCL_RATIO			0 = Low settings ($V_{CB}=50mV$ for $V_{CL} \leq 32mV$, and $V_{CB}=100mV$ for $V_{CL} \geq 33mV$) 1 = High setting ($V_{CB}=100mV$ for $V_{CL} \leq 32mV$, and $V_{CB}=200mV$ for $V_{CL} \geq 33mV$)				
[2]	CL_CONFIG			0 = Use pin settings 1 = Use SMBus settings				
[1]	USE_MFR_CL_THRESHOLD			If CL_CONFIG is set to 1 and if this bit is set, the MFR_CL_THRESHOLD command sets the CL_THRESHOLD. If CL_CONFIG is set to 1 and this bit is 0, then CL_SETTING determines the CL_THRESHOLD.				
[0]	RESEVED							

BLOCK_READ (DAh)

Command Code: DAh												
Description: Concatenates the DIAGNOSIS_WORD with all the input and output telemetry data and temperature.												
Name	BLOCK_READ											
Format	Block Read											
Bits	Byte 11	Byte 10	Byte 9	Byte 8	Byte 7	Byte 6	Byte 5	Byte 4	Byte 3	Byte 2	Byte 1	Byte 0
Read/Write	R	R	R	R	R	R	R	R	R	R	R	R
Default Value	0x00		0x00		0x00		0x00		0x00		0x0880	
Bits	Name			Description								
[95:80]	TEMP_BLOCK											
[79:64]	PIN_BLOCK											
[63:48]	VIN_BLOCK											
[47:32]	VOUT_BLOCK											
[31:16]	IIN_BLOCK											
[15:0]	DIAGNOSTIC_WORD											

SAMPLES_FOR_AVG (DBh)

Command Code: DBh									
Description: This command configures the number of samples used in computing the average of VIN, VOUT, IIN, and PIN. It also sets the average register update period.									
Name	SAMPLES_FOR_AVG								
Format	Read/Write Byte								
Bits	Bit 7	Bit 6	Bit 5	Bit 4	Bit 3	Bit 2	Bit 1	Bit 0	
Read/Write	R				RW				
Default Value	0x0				0x8				
Bits	Name			Description					
[7:4]	RESERVED								
[3:0]	SAMPLES_FOR_AVG			<p>Number of samples used to compute average. Also average register update period.</p> <p>$Avg = 2^{SAMPLES_PER_AVG}$</p> <p>0000b = $2^0 = 1$ sample per average calculation, 1ms average update period</p> <p>...</p> <p>1100b = $2^{12} = 4096$ samples per average calculation, 4096 ms average update period</p> <p>Values 13, 14, and 15 are reserved and will generate a CML Data error</p>					

READ_AVG_VIN (DCh)

Command Code: DCh																
Description: Returns the 12-bit average input voltage.																
Name	READ_AVG_VIN															
Format	Read Word															
Bits	Bit 15	Bit 14	Bit 13	Bit 12	Bit 11	Bit 10	Bit 9	Bit 8	Bit 7	Bit 6	Bit 5	Bit 4	Bit 3	Bit 2	Bit 1	Bit 0
Read/Write	R						R									
Default Value	0						0x00									
Bits	Name				Description											
[15:12]	RESERVED															
[11:0]	READ_AVG_VIN				12 bit unsigned number, expressed in direct format.											

READ_AVG_VOUT (DDh)

Command Code: DDh																
Description: Returns the 12-bit average output voltage.																
Name	READ_AVG_VOUT															
Format	Read Word															
Bits	Bit 15	Bit 14	Bit 13	Bit 12	Bit 11	Bit 10	Bit 9	Bit 8	Bit 7	Bit 6	Bit 5	Bit 4	Bit 3	Bit 2	Bit 1	Bit 0
Read/Write	R						R									
Default Value	0						0x00									
Bits	Name				Description											
[15:12]	RESERVED															
[11:0]	READ_AVG_VOUT				12 bit unsigned number, expressed in direct format.											

READ_AVG_IIN (DEh)

Command Code: DEh																
Description: Returns the 12-bit input average current.																
Name	READ_AVG_IIN															
Format	Read Word															
Bits	Bit 15	Bit 14	Bit 13	Bit 12	Bit 11	Bit 10	Bit 9	Bit 8	Bit 7	Bit 6	Bit 5	Bit 4	Bit 3	Bit 2	Bit 1	Bit 0
Read/Write	R						R									
Default Value	0						0x00									
Bits	Name				Description											
[15:12]	RESERVED															
[11:0]	READ_AVG_IIN				12 bit unsigned number, expressed in direct format.											

READ_AVG_PIN (DFh)

Command Code: DFh																
Description: Returns the 12-bit input average power.																
Name	READ_AVG_PIN															
Format	Read Word															
Bits	Bit 15	Bit 14	Bit 13	Bit 12	Bit 11	Bit 10	Bit 9	Bit 8	Bit 7	Bit 6	Bit 5	Bit 4	Bit 3	Bit 2	Bit 1	Bit 0
Read/Write	R						R									
Default Value	0						0x00									
Bits	Name					Description										
[15:12]	RESERVED															
[11:0]	READ_AVG_PIN															

BLACK_BOX_READ (E0h)

Command Code: E0h													
Description: The command retrieves BLOCK_READ data latched on the first assertion of $\overline{\text{SMBA}}$													
Name	BLACK_BOX_READ												
Format	Block Read												
Bits	Byte 11	Byte 10	Byte 9	Byte 8	Byte 7	Byte 6	Byte 5	Byte 4	Byte 3	Byte 2	Byte 1	Byte 0	
Read/W write	R	R	R	R	R	R	R	R	R	R	R	R	
Default Value	0x00		0x00		0x00		0x00		0x00		0x00		
Bits	Name					Description							
[95:80]	TEMP_BLOCK												
[79:64]	PIN_BLOCK												
[63:48]	VIN_BLOCK												
[47:32]	VOUT_BLOCK												
[31:16]	IIN_BLOCK												
[15:0]	DIAGNOSTIC_WORD												

READ_DIAGNOSTIC_WORD (E1h)

Command Code: E1h																	
Description: Returns all of the RTQ1950/RTQ1950A faults and warnings in a single transaction.																	
Name	READ_DIAGNOSTIC_WORD																
Format	Read Word																
Bits	Bit 15	Bit 14	Bit 13	Bit 12	Bit 11	Bit 10	Bit 9	Bit 8	Bit 7	Bit 6	Bit 5	Bit 4	Bit 3	Bit 2	Bit 1	Bit 0	
Read/Write	R	R	R	R	R	R	R	R	R	R	R	R	R	R	R	R	
Default Value	0	0	0	0	1	0	0	0	1	0	0	0	0	0	0	0	
Bits	Name					Description											
[15]	VOUT_UV_WARN																
[14]	IIN_OP_WARN																
[13]	VIN_UV_WARN																
[12]	VIN_OV_WARN																
[11]	$\overline{\text{POWER_GOOD}}$																
[10]	OT_WARN																

[9]	TIMER_LATCHED_OFF	
[8]	EXT_FET_SHORT	
[7]	CONFIG_PRESET	
[6]	DEVICE_OFF	
[5]	VIN_UV_FAULT	
[4]	VIN_OV_FAULT	
[3]	IIN_OC/PFET_OP_FAULT	
[2]	OT_FAULT	
[1]	CML_FAULT	
[0]	CB_FAULT	

AVG_BLOCK_READ (E2h)

Command Code: E2h												
Description: Concatenates the DIAGNOSIS_WORD with all the input and output average telemetry data and temperature.												
Name	AVG_BLOCK_READ											
Format	Block Read											
Bits	Byte 11	Byte 10	Byte 9	Byte 8	Byte 7	Byte 6	Byte 5	Byte 4	Byte 3	Byte 2	Byte 1	Byte 0
Read/Write	R	R	R	R	R	R	R	R	R	R	R	R
Default Value	0x00		0x00		0x00		0x00		0x00		0x0880	
Bits	Name			Description								
[95:80]	TEMP1											
[79:64]	AVG_PIN											
[63:48]	AVG_VIN											
[47:32]	AVG_VOUT											
[31:16]	AVG_IIN											
[15:0]	DIAGNOSTIC_WORD											

READ_IIN_PEAK (EDh)

Command Code: EDh																
Description: This command records the maximum value of the input current.																
Name	READ_IIN_PEAK															
Format	Read/Write Word															
Bits	Bit 15	Bit 14	Bit 13	Bit 12	Bit 11	Bit 10	Bit 9	Bit 8	Bit 7	Bit 6	Bit 5	Bit 4	Bit 3	Bit 2	Bit 1	Bit 0
Read/Write	R				RW											
Default Value	0				0x000											
Bits	Name			Description												
[15:12]	RESERVED															
[11:0]	READ_IIN_PEAK			Records the peak value of READ_IIN seen since last reset. Write 0 to clear. Expressed in direct format.												

READ_IIN_MIN (EEh)

Command Code: EEh																
Description: This command records the minimum value of the input current.																
Name	READ_IIN_MIN															
Format	Read/Write Word															
Bits	Bit 15	Bit 14	Bit 13	Bit 12	Bit 11	Bit 10	Bit 9	Bit 8	Bit 7	Bit 6	Bit 5	Bit 4	Bit 3	Bit 2	Bit 1	Bit 0
Read/Write	R				RW											
Default Value	0				0xFFF											
Bits	Name				Description											
[15:12]	RESERVED															
[11:0]	READ_IIN_MIN				Records the minimal value of READ_IIN seen since last reset. Write 0 to reset. Expressed in direct format.											

VOUT_UV_RETRY_THRESHOLD (EFh)

Command Code: EFh																
Description: This command sets the voltage threshold that RTQ1950/RTQ1950A will not restart until VOUT drops below this threshold.																
Name	VOUT_UV_RETRY_THRESHOLD															
Format	Read/Write Word															
Bits	Bit 15	Bit 14	Bit 13	Bit 12	Bit 11	Bit 10	Bit 9	Bit 8	Bit 7	Bit 6	Bit 5	Bit 4	Bit 3	Bit 2	Bit 1	Bit 0
Read/Write	R				RW											
Default Value	0				0xFFF											
Bits	Name				Description											
[15:12]	RESERVED															
[11:0]	VOUT_UV_RETRY_THR ESHOLD				The Hotswap retry will not start until the VOUT falls below this threshold. Same units as READ_VOUT. Expressed in direct format.											

MFR_CL_THRESHOLD (F0h)

Command Code: F0h								
Description: This command sets the current-limit threshold in mV as measured across VINK-VSENSE.								
Name	MFR_CL_THRESHOLD							
Format	Read/Write Byte							
Bits	Bit 7	Bit 6	Bit 5	Bit 4	Bit 3	Bit 2	Bit 1	Bit 0
Read/Write	R	R	RW	RW	RW	RW	RW	RW
Default Value	0x0			0x0				
Bits	Name			Description				
[7:6]	RESERVED							
[5:0]	CL_THRESHOLD			Threshold = (MFR_CL_THRESHOLD + 10mV). In mV units. Maximum value of this field is 45 (threshold of 55mV). A write with a value over 45 will result in STATUS_CML.INVALID_DATA setting.				

MFR_ADV_CFG_STATUS (F1h)

Command Code: F1h																
Description: Allows for configuring settings of RTQ1950/RTQ1950A device.																
Name	MFR_ADV_CFG_STATUS															
Format	Read/Write Word															
Bits	Bit 15	Bit 14	Bit 13	Bit 12	Bit 11	Bit 10	Bit 9	Bit 8	Bit 7	Bit 6	Bit 5	Bit 4	Bit 3	Bit 2	Bit 1	Bit 0
Read/Write	R			RW			RW			RW	RW	RW	RW	RW	RW	RW
Default Value	0			0			0			0	0	0	0	0	0	0
Bits	Name					Description										
[15:12]	RESERVED															
[11:9]	retryCntResetPeriod					Allows the retry counter to reset after a period of time without faults. 0 = reset retryCnt after 1.3s 1 = reset retryCnt after 2.6s 2 = reset retryCnt after 5.2s 3 = reset retryCnt after 10.4s ≥ 4 is disabled: retryCnt will not reset										
[8:5]	RESERVED															
[4]	PROCHOT_EN					If set, the PROCHOT output and STATUS_MFR_SPECIFIC are enabled.										
[3]	vout_uv_thresh_pwrcycle_en					If set, the design will wait for VOUT to fall below VOUT_UV_RETRY_THRESHOLD before restarting after a POWER_CYCLE										
[2]	vout_uv_thresh_operation_en					If set, the design will wait for VOUT to fall below VOUT_UV_RETRY_THRESHOLD before restarting after an OPERATION Off to On										
[1]	vout_uv_thresh_uvlo_en					If set, the design will wait for VOUT to fall below VOUT_UV_RETRY_THRESHOLD before restarting after an UVLO Off to On or after OVLO event										
[0]	vout_uv_thresh_fault_en					If set, the design will wait for VOUT to fall below VOUT_UV_RETRY_THRESHOLD before restarting after a fault off to on										

MFR_ADV_PWRCYCLE_TIME (F2h)

Command Code: F2h																
Description: Sets the power cycle timer duration in ms. If the vout_uv_thresh_pwrcycle_en bit in register F1h is set, the RTQ1950/RTQ1950A waits for the VOUT to drop below VOUT_UV_RETRY_THRESHOLD before starting the timer.																
Name	MFR_ADV_PWRCYCLE_TIME															
Format	Read/Write Word															
Bits	Bit 15	Bit 14	Bit 13	Bit 12	Bit 11	Bit 10	Bit 9	Bit 8	Bit 7	Bit 6	Bit 5	Bit 4	Bit 3	Bit 2	Bit 1	Bit 0
Read/Write	RW															
Default Value	0x2710															
Bits	Name					Description										
[15:0]	PWRCYCLE_TIME					This sets the duration of the power cycle timer, in milliseconds. Default is 10 seconds. Set to 0 to disable										

MFR_ADV_RETRY_TIMEOUT (F3h)

Command Code: F3h																
Description: Sets the duration of RETRY in ms.																
Name	MFR_ADV_RETRY_TIMEOUT															
Format	Read/Write Word															
Bits	Bit 15	Bit 14	Bit 13	Bit 12	Bit 11	Bit 10	Bit 9	Bit 8	Bit 7	Bit 6	Bit 5	Bit 4	Bit 3	Bit 2	Bit 1	Bit 0
Read/Write	RW															
Default Value	0x0															
Bits	Name					Description										
[15:0]	RETRY_TIMEOUT					This limits the duration of the fault retry, in milliseconds. Set to 0 to disable										

MFR_ADV_COOLDOWN_TIME (F5h)

Command Code: F5h																
Description: Sets the cool down timer in ms that the RTQ1950/RTQ1950A waits after the last RETRY attempt before starting up.																
Name	MFR_ADV_COOLDOWN_TIME															
Format	Read/Write Word															
Bits	Bit 15	Bit 14	Bit 13	Bit 12	Bit 11	Bit 10	Bit 9	Bit 8	Bit 7	Bit 6	Bit 5	Bit 4	Bit 3	Bit 2	Bit 1	Bit 0
Read/Write	RW															
Default Value	0x0															
Bits	Name					Description										
[15:0]	COOLDOWN_TIME					Cooldown Time in milliseconds. Set to 0 to disable										

MFR_TELEM_CGF (F6h)

Command Code: F6h									
Description: This command is used to configure the telemetry settings for the RTQ1950/RTQ1950A.									
Name	MFR_TELEM_CGF								
Format	Read/Write Word								
Bits	Byte 1	Bit 7	Bit 6	Bit 5	Bit 4	Bit 3	Bit 2	Bit 1	Bit 0
Read/Write	R	RW	RW	RW	RW	RW	RW	RW	RW
Default Value	0x00	0	1	0	1	1	1	1	1
Bits	Name			Description					
[15:8]	RESERVED								
7	TEMP_COMP_RST			Write 1 to reset the temperature compensation factor. Always reads back 0.					
6	TEMP_COMP_EN			If set and INT_TEMP_TELEM_EN is set, then adc measurements will be temperature compensated					
5	TELEM_OVER_SAMPLE			If this bit is set, then EXT_TEMP will be generated every 16ms by averaging 4 samples together. All other telemetry will be averaged with 2 samples and generated every 1ms. The generated telemetry is stored and averaged.					
4	VAUX_TELEM_EN			Enables VAUX telemetry measurement					
3	VOUT_TELEM_EN			Enables VOUT telemetry measurement					

2	VIN_TELEM_EN	Enables VIN telemetry measurement. Enabling this bit plus VIN_TELEM_EN will generate a PIN measurement.
1	IIN_TELEM_EN	Enables input current measurement. Enabling this bit plus IIN_TELEM_EN will generate a PIN measurement
0	EXT_TEMP_TELEM_EN	Enables external temperature measurement

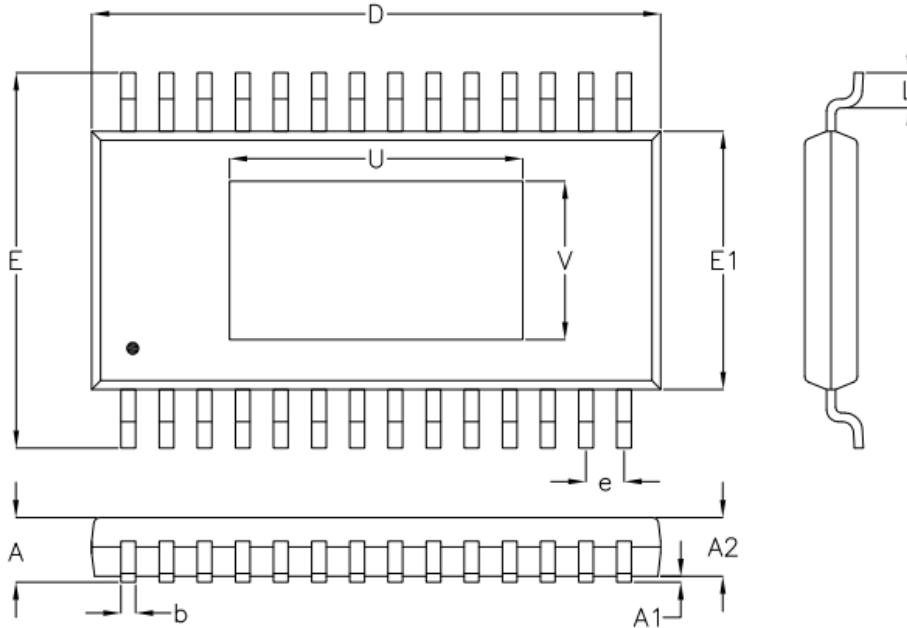
MFR_HOTSWAP_STATUS (F9h)

Command Code: F9h			
Description: Records the state of the RTQ1950/RTQ1950A device.			
Name	MFR_HOTSWAP_STATUS		
Format	Read/Write Block		
Bits	Bit [23:17]	Bit [16:4]	Bit [3:0]
Read/Write	R	R	RW
Default Value	0	0	15
Bits	Name	Description	
[23:17]	RESERVED		
[16:4]	HOTSWAP_STATE	This field records the current state of the hotswap. It is always valid. Each bit indicates if the event is active and preventing the hotswap from turning on. If this field is 0, the gate is on 0 = INSERTION 1 = FETSHORT 2 = VIN < VINPOR_EN 3 = UVLO 4 = OVLO 5 = OT_FAULT 6 = FETFAULT 7 = Overcurrent 8 = Over power 9 = Circuit Breaker 10 = PMBus Operation Commanded Off 11 = PMBus Power Cycle 12 = OTP Uncorrectable Error	
[3:0]	HOTSWAP_OFF_REASON	Records the first reason why the hotswap turned off. Write any value to this command to reset this to the value 15/Armed. 0 = INSERTION 1 = FETSHORT 2 = VIN< VINPOR_EN 3 = UVLO 4 = OVLO 5 = OT_FAULT 6 = FETFAULT 7 = Overcurrent 8 = Over power 9 = Circuit Breaker 10 = PMBus Operation Commanded Off 11 = PMBus Power Cycle 12 = OTP Uncorrectable Error 13,14 = Reserved 15 = Armed	

POWER_CYCLE (FBh)

Command Code: FBh								
Description: Causes the RTQ1950/RTQ1950A shutdown from any state and remains off for the time defined by MFR_ADV_PWRCYCLE_TIME.								
Name	POWER_CYCLE							
Format	Send Byte							
Bits	Bit 7	Bit 6	Bit 5	Bit 4	Bit 3	Bit 2	Bit 1	Bit 0
Read/Write	W	W	W	W	W	W	W	W
Default Value								
Bits	Name		Description					
NA	POWER_CYCLE		Causes the hotswap to shut down and remains off for the period of time defined by MFR_ADV_PWRCYCLE_TIME.					

19 Outline Dimension

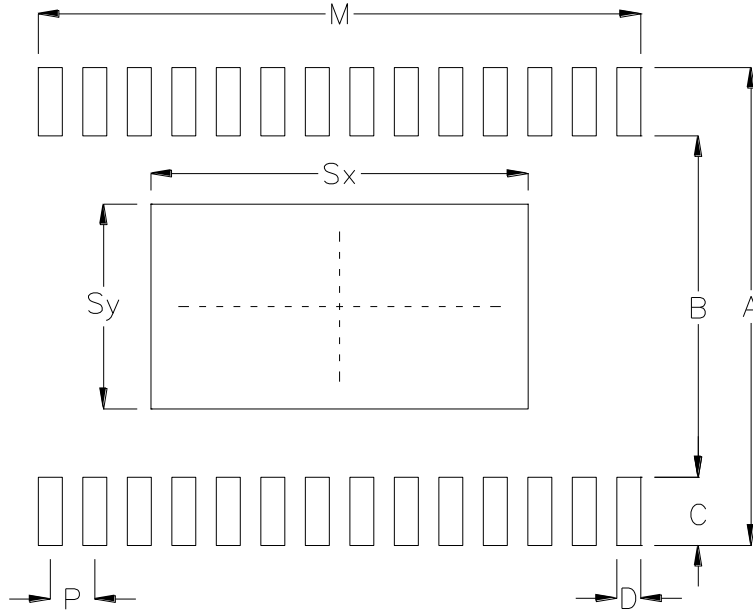


Symbol	Dimensions In Millimeters		Dimensions In Inches		
	Min	Max	Min	Max	
A	1.000	1.200	0.039	0.047	
A1	0.000	0.150	0.000	0.006	
A2	0.800	1.050	0.031	0.041	
b	0.190	0.300	0.007	0.012	
D	9.600	9.800	0.378	0.386	
e	0.650		0.026		
E	6.300	6.500	0.248	0.256	
E1	4.300	4.500	0.169	0.177	
L	0.450	0.750	0.018	0.030	
Option 1	U	4.410	5.510	0.174	0.217
	V	2.400	3.000	0.094	0.118
Option 2	U	5.500	6.170	0.217	0.243
	V	1.600	2.210	0.063	0.087
Option 3	U	5.800	6.200	0.228	0.244
	V	2.600	3.000	0.102	0.118

28-Lead TSSOP (Exposed Pad) Plastic Package

Note 17. The package of the RTQ1950/RTQ1950A uses Option 1.

20 Footprint Information

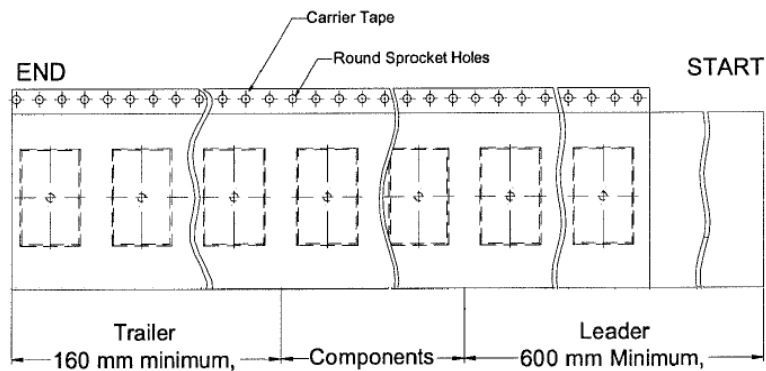
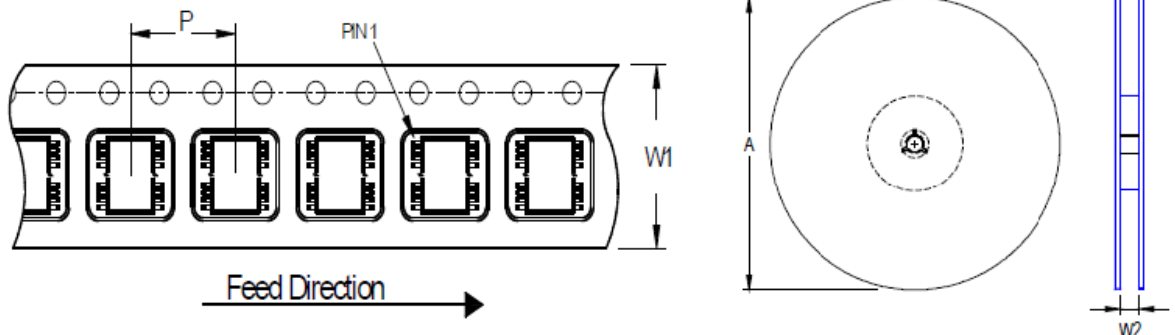


Package		Number of Pins	Footprint Dimension (mm)							Tolerance	
			P	A	B	C	D	Sx	Sy		M
TSSOP-28(PP)	Option1	28	0.65	7.00	5.00	1.00	0.35	5.51	3.00	8.80	±0.10
	Option2							6.17	2.21		
	Option3							6.20	3.00		

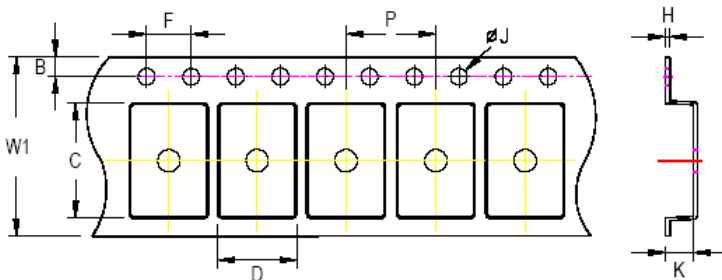
Note 18. The package of the RTQ1950/RTQ1950A uses Option 1.

21 Packing Information

21.1 Tape and Reel Data









Package Type	Tape Size (W1) (mm)	Pocket Pitch (P) (mm)	Reel Size (A)		Units per Reel	Trailer (mm)	Leader (mm)	Reel Width (W2) Min/Max (mm)
			(mm)	(in)				
TSSOP-28	16	8	330	13	2,500	160	600	16.4/18.4



C, D, and K are determined by component size.
The clearance between the components and the cavity is as follows:
- For 16mm carrier tape: 0.5mm maximum

Tape Size	W1		P		B		F		ØJ		K		H
	Max	Min	Max	Min	Max	Min	Max	Min	Max	Min	Max	Max	
16mm	16.3mm	7.9mm	8.1mm	1.65mm	1.85mm	3.9mm	4.1mm	1.5mm	1.6mm	1.5mm	1.7mm	0.6mm	

21.2 Tape and Reel Packing

Step	Photo/Description	Step	Photo/Description
1	 <p>Reel 13"</p>	4	 <p>1 reel per inner box Box G</p>
2	 <p>HIC & Desiccant (2 Unit) inside</p>	5	 <p>6 inner boxes per outer box</p>
3	 <p>Caution label is on backside of Al bag</p>	6	 <p>Outer box Carton A</p>

Package	Container		Box			Carton		
	Size	Units	Item	Reels	Units	Item	Boxes	Units
TSSOP-28	13"	2,500	Box G	1	2,500	Carton A	6	15,000

21.3 Packing Material Anti-ESD Property

Surface Resistance	Aluminum Bag	Reel	Cover tape	Carrier tape	Tube	Protection Band
Ω/cm^2	10^4 to 10^{11}	10^4 to 10^{11}	10^4 to 10^{11}	10^4 to 10^{11}	10^4 to 10^{11}	10^4 to 10^{11}

Richtek Technology Corporation14F, No. 8, Tai Yuen 1st Street, Chupei City

Hsinchu, Taiwan, R.O.C.

Tel: (8863)5526789

Richtek products are sold by description only. Richtek reserves the right to change the circuitry and/or specifications without notice at any time. Customers should obtain the latest relevant information and data sheets before placing orders and should verify that such information is current and complete. Richtek cannot assume responsibility for use of any circuitry other than circuitry entirely embodied in a Richtek product. Information furnished by Richtek is believed to be accurate and reliable. However, no responsibility is assumed by Richtek or its subsidiaries for its use; nor for any infringements of patents or other rights of third parties which may result from its use. No license is granted by implication or otherwise under any patent or patent rights of Richtek or its subsidiaries.

Copyright © 2026 Richtek Technology Corporation. All rights reserved. **RICHTEK** is a registered trademark of Richtek Technology Corporation.

22 Datasheet Revision History

Version	Date	Description
00	2026/5/13	First Edition
01	2026/8/18	Absolute Maximum Ratings Electrical Characteristics Functional Register Description Typical Application Circuit
02	2026/4/16	Added the RTQ1950A Variant Electrical Characteristics Functional Register Description Typical Application Circuit