

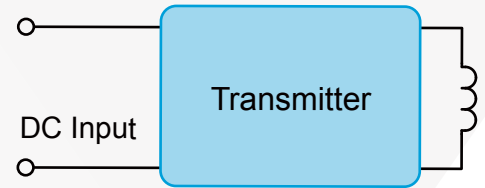
**RICHTEK**



# WIRELESS POWER SOLUTION

**2016** RICHTEK COMPLETE WIRELESS POWER  
PRODUCT PORTFOLIO

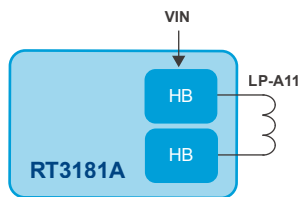
# WIRELESS POWER SOLUTION



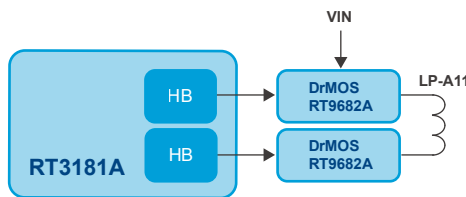
WPC Family		
	Transmitter (TX)	Receiver (RX)
Low Power (<5W)	RT3181A (LP-A11)	RT1650
Medium Power (5W~15W)	RT3181B (MP-A5)	RT3180W

## Transmitter

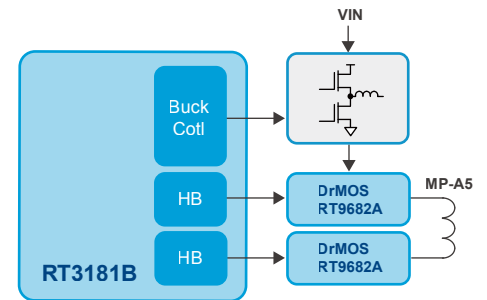
RT3181 is the high integration controller for WPC transmitter design. The H-bridge power stage is integrated for single chip design of the popular A11 TX design. External power stage can be applied in case of higher system performance is required. RT3181 can also be configured as WPC Medium Power MP-A5 transmitter, the input voltage rail controller integrated to achieve simple and easy design.



LP-A11 Single Chip



LP-A11 Efficiency Enhancement



MP-A5, WPC Medium Power

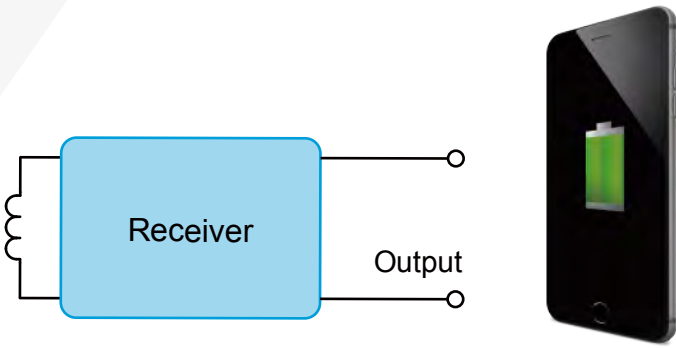
## Richtek Technology Corporation, MediaTek Group

Richtek is the global leading analog company in design and development of comprehensive and cost-competitive power management IC products for consumer electronics, computers, communications equipment, and industrial and automotive products. Richtek has broadened its product range with wireless power solutions after the completion of merger with MediaTek. Richtek has taken full ownership of all MediaTek's wireless power solution business including product development and strategic planning. Richtek is authorized to represent MediaTek on wireless power management business in standards groups. By leveraging MediaTek's platform leadership and experience with wireless power solutions, Richtek aims to further expand IC offerings to provide competitive wireless power management products to the market.

Richtek not only delivers the industry's most cost-competitive power management ICs, but also provides the most comprehensive system design-in service and support. With Richtek as "Your Power Partner" you can spend less time trouble-shooting issues with power management and more time working on your next big product.



If you have any questions regarding MediaTek/Richtek WPS business, please feel free to contact our representative: Silvan Ho ([silvan\\_ho@richtek.com](mailto:silvan_ho@richtek.com)). We look forward to ongoing partnerships with you in the power management market.



## Multi-Mode Family

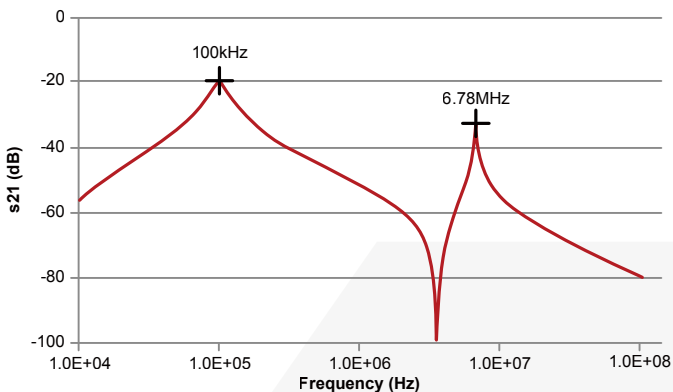
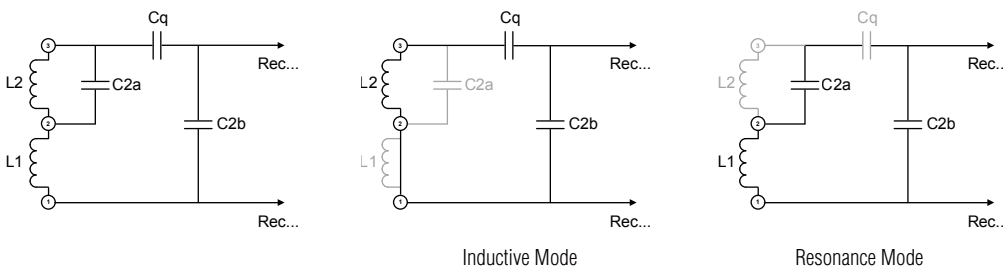
Receiver (RX)

Low Power (<5W) MT3188

Medium Power (5W~15W) RT3180M

## Receiver

Richtek offer rich receiver family for various applications cover WPC low power, medium power and also the so called "multi-mode" compatible with WPC and AFA transmitter. All the receiver IC integrated the rectifier, output DCDC regulator and communication unit. Richtek had unique receiver resonator design for multi-mode application, the inductive coil and resonant coil are connected in series and use only 3 capacitor for tuning. This is the patented design had been proved to achieve commercial regulatory.



## Wireless Power Module

Richtek also offer wireless power module solution to the market, please contact Richtek for further information.

# RICHTEK

[www.richtek.com](http://www.richtek.com) | **TEL:886-3-5526789 FAX:886-3-5526611 (Headquarters)**

**Taipei Office**

TEL:886-2-89191466

FAX:886-2-89191465

**China | Shanghai Office**

TEL:86-21-68798688

FAX:86-21-68798699

**China | Shenzhen Office**

TEL:86-755-88353955

FAX:86-755-88353947

**China | Beijing Office**

TEL:86-10-64742610

FAX:86-10-64742615

**US | San Jose Office**

TEL:1-408-340-4840

FAX:1-408-340-4836

**Japan | Tokyo Office**

TEL:81-3-54797241

FAX:81-3-54797242

**Korea | Gyeonggi-do Office**

TEL:82-31-718-5703

FAX:82-31-718-5743

**Netherlands Office**

TEL:31-40-8515520