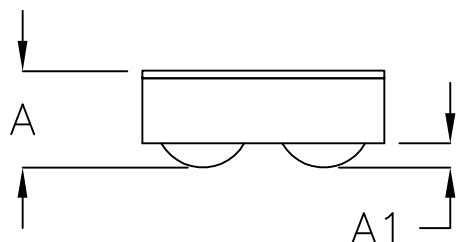
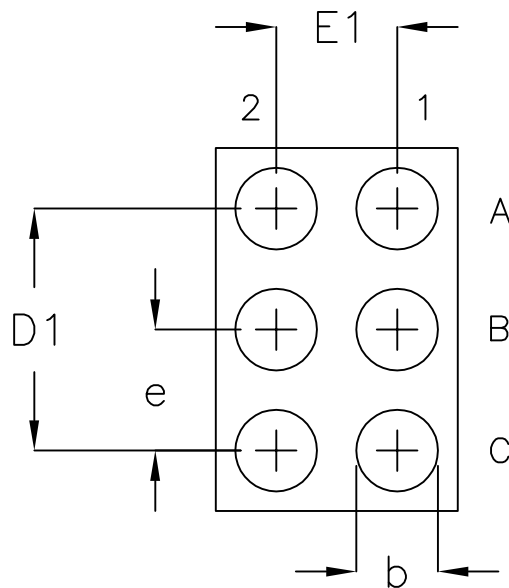
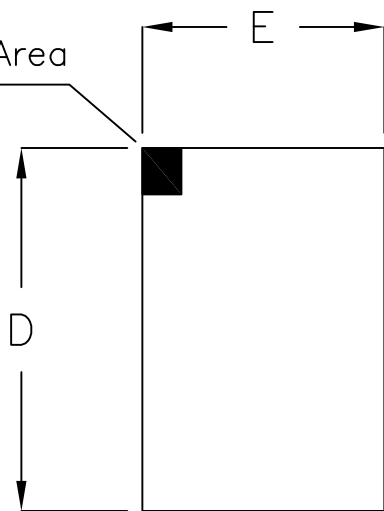


PIN A1
Index Area



Symbol	Dimensions In Millimeters		Dimensions In Inches	
	Min.	Max.	Min.	Max.
A	--	0.320	--	0.013
A1	0.065	0.095	0.003	0.004
b	0.160	0.180	0.006	0.007
D	1.150	1.250	0.045	0.049
D1	0.800		0.031	
E	0.750	0.850	0.030	0.033
E1	0.400		0.016	
e	0.400		0.016	

RICHTEK
立錡科技股份有限公司

DWG TITLE: PACKAGE OUTLINE DRAWING
TWL-CSP0.8x1.2-6(BSC)

SCALE: 40:1